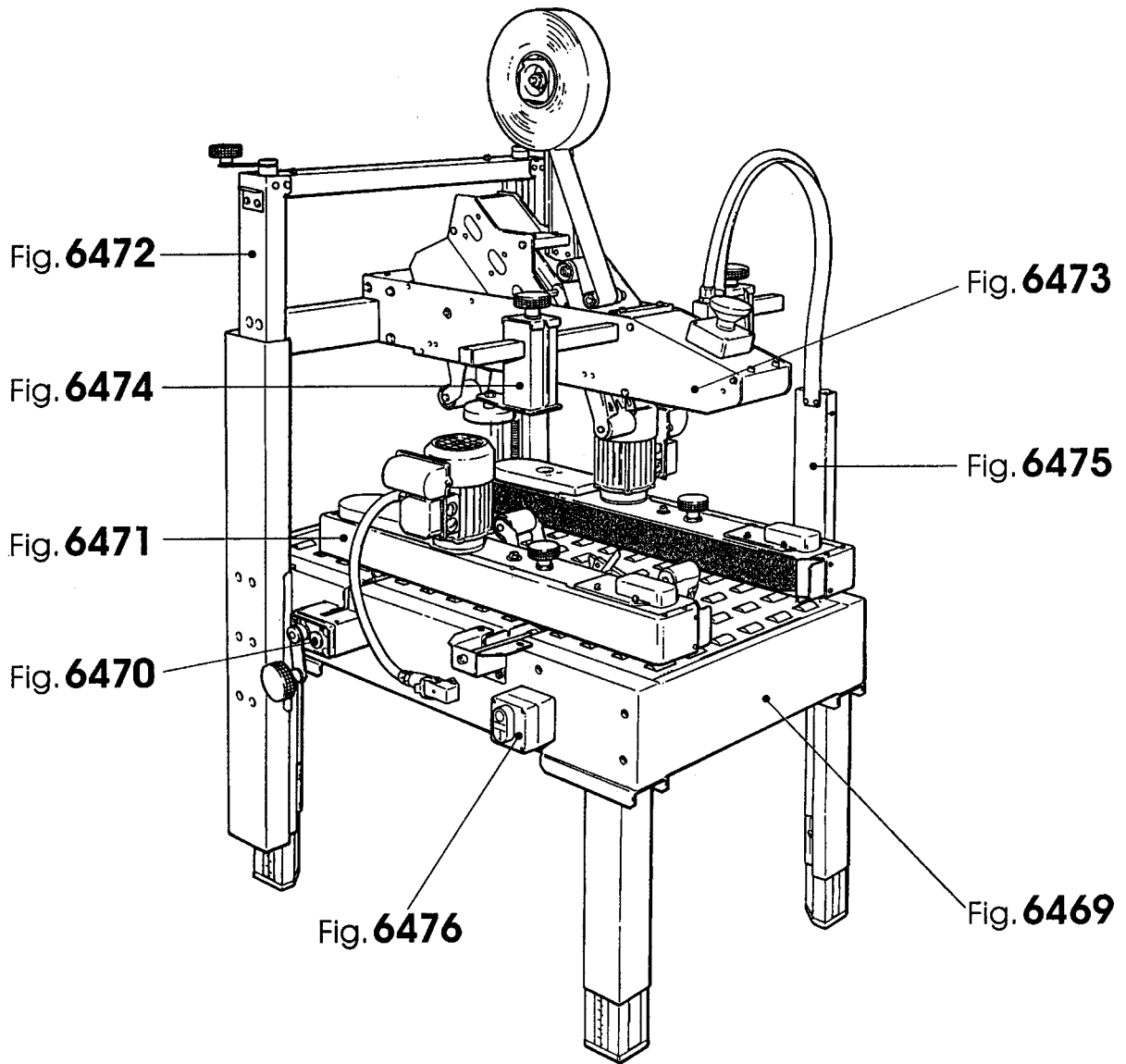


120a Adjustable Case Sealer



Frame Assemblies

120a Adjustable Case Sealer

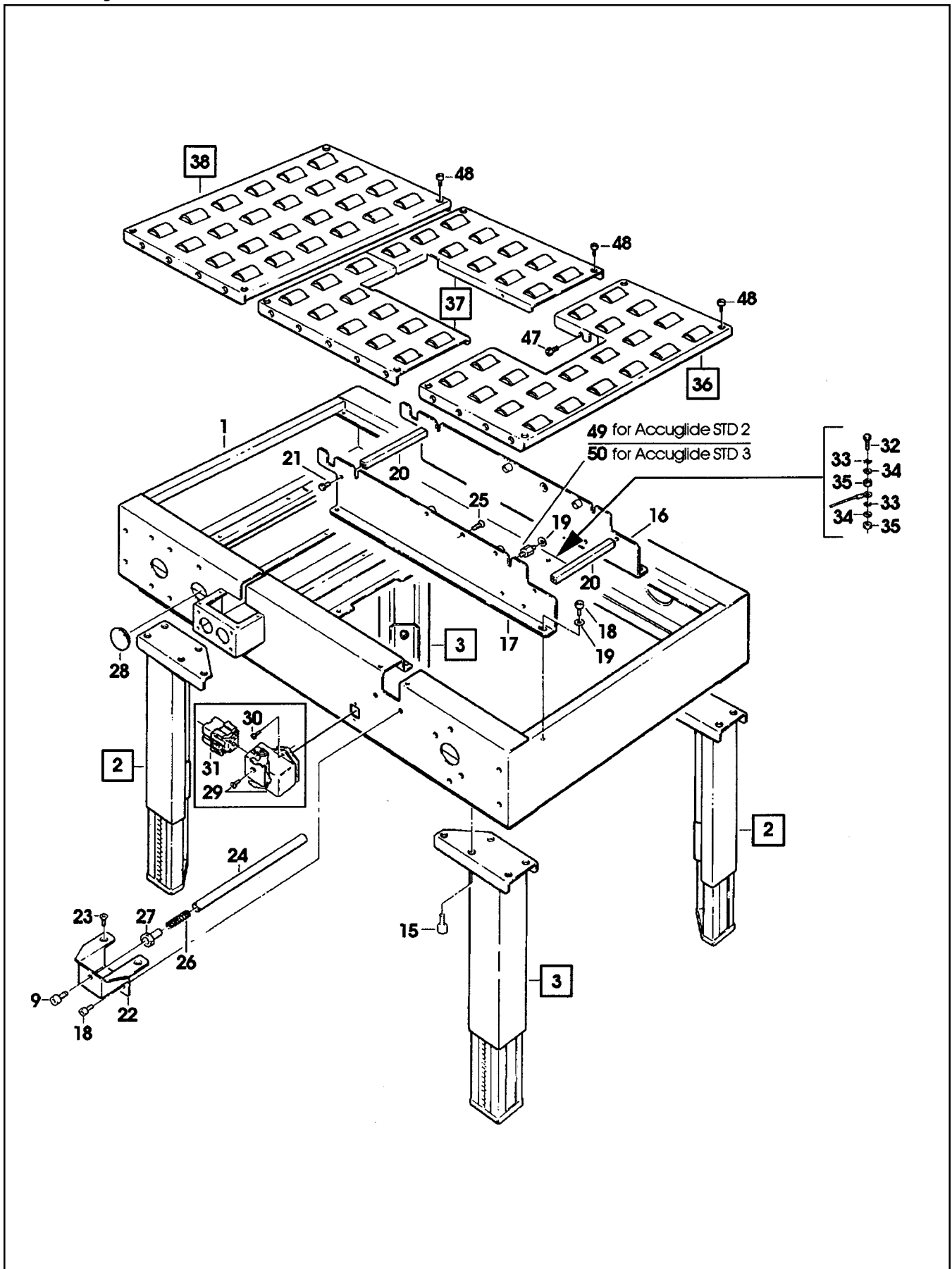


Figure 6469/1 of 2

Figure 6469 (page 1 of 2)

Ref. No.	3M Part No.	Description
6469-1	78-8100-1136-7	Bed Conveyor
6469-2	78-8114-4666-1	Leg Assembly – R/H
6469-3	78-8114-4665-3	Leg Assembly – L/H
6469-4	78-8076-5040-9	Leg – Right
6469-5	78-8076-5041-7	Leg – Left
6469-6	78-8052-6678-6	Leg – Inner
6469-7	78-8052-6677-8	Clamp – Inner
6469-8	78-8052-6676-0	Clamp – Outer
6469-9	26-1003-7963-0	Screw – Soc Hd, M8 x 16
6469-10	78-8052-6679-4	Pad – Foot
6469-11	26-1003-5842-8	Screw – Hex Hd, M8 x 20
6469-12	26-1004-5507-5	Washer – M8
6469-13	78-8017-9313-0	Nut – Self-Locking, M8
6469-14	78-8052-6680-2	Label – Height
6469-15	26-1003-7964-8	Screw – Soc Hd Hex Soc Dr, M8 x 20
6469-16	78-8114-4925-1	Frame – Upper, R/H
6469-17	78-8114-4926-9	Frame – Upper, L/H
6469-18	26-1003-7957-2	Screw – Soc Hd Hex Hd, M6 x 16
6469-19	26-1000-0010-3	Washer – Flat, M6
6469-20	78-8054-8862-0	Spacer – 12 x 12 x 140 mm
6469-21	78-8010-7169-3	Screw – Hex Hd, M6 x 12
6469-22	78-8114-4927-7	Support – Guide
6469-23	26-1001-9843-6	Screw – Flat Soc Hd, M6 x 16
6469-24	78-8054-8831-5	Shaft – 14 x 255 mm
6469-25	26-1003-5841-0	Screw – M8 x 16
6469-26	78-8054-8999-0	Spring
6469-27	78-8054-8998-2	Bushing
6469-28	78-8060-8184-6	Cap – 35 x 1.6
6469-29	78-8060-7876-8	Cover – Plug, Lateral
6469-30	78-8028-8208-0	Screw – 6P x 9.5

120a Adjustable Case Sealer

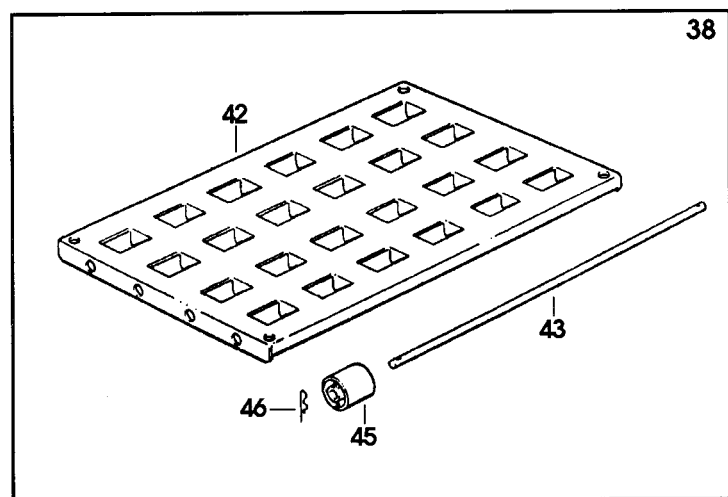
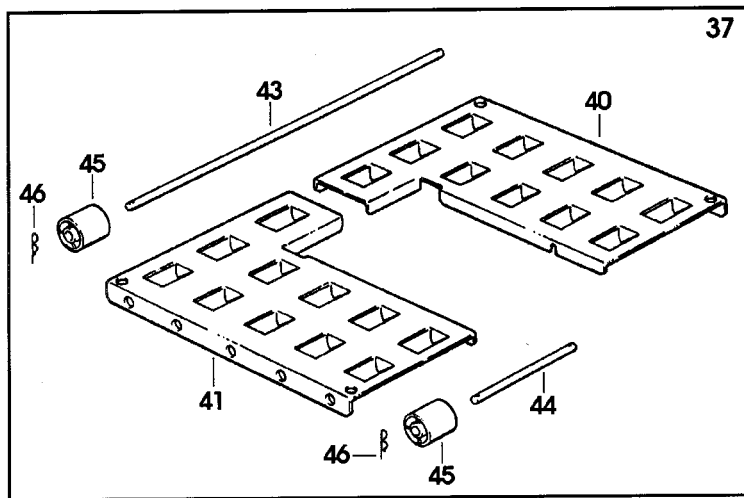
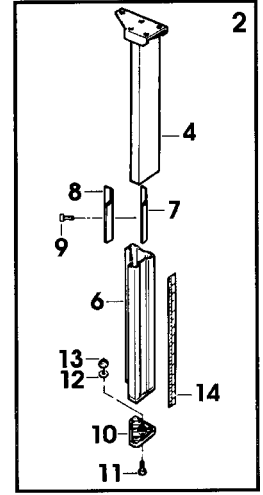
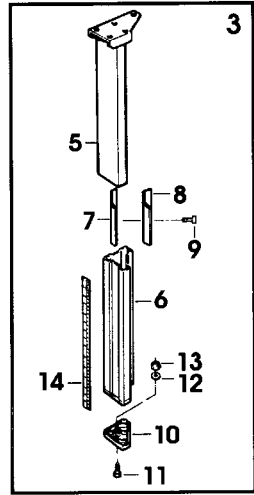
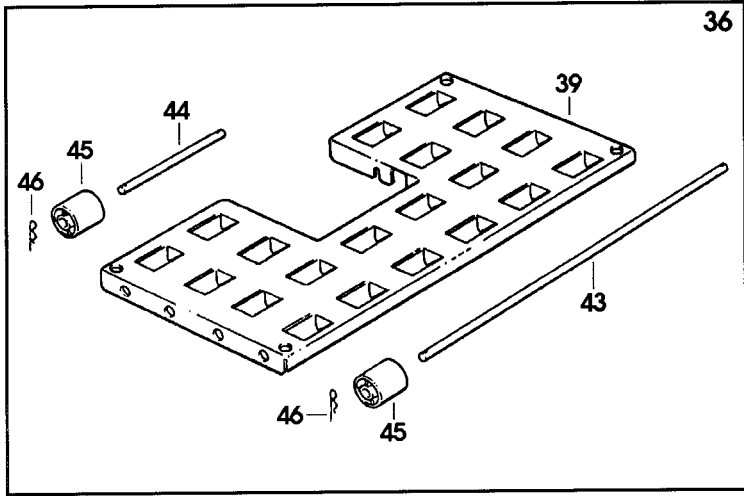


Figure 6469/2 of 2

Figure 6469 (page 2 of 2)

Ref. No.	3M Part No.	Description
6469-31	78-8060-7873-5	Plug – Female
6469-32	78-8060-8488-1	Screw – Hex Hd, M5 x 20
6469-33	78-8046-8217-3	Washer – Special
6469-34	78-8005-5741-1	Washer – Flat, M5
6469-35	78-8010-7417-6	Nut – Hex, M5
6469-36	78-8114-4928-5	Conveyor Assembly – Front
6469-37	78-8114-4929-3	Conveyor Assembly – Center
6469-38	78-8114-4930-1	Conveyor Assembly – Rear
6469-39	78-8114-4931-9	Conveyor – Front
6469-40	78-8114-4932-7	Conveyor – Center, R/H
6469-41	78-8114-4933-5	Conveyor – Center, L/H
6469-42	78-8114-4934-3	Conveyor – Rear
6469-43	78-8114-4935-0	Shaft – Roller, L=420 mm
6469-44	78-8114-4936-8	Shaft – Roller, L=128 mm
6469-45	78-8060-7693-7	Roller – 32 x 38
6469-46	78-8076-5385-8	Spring
6469-47	78-8060-8087-1	Screw – M5 x 10
6469-48	26-1003-7949-9	Screw – Soc Hd Hex Soc, M5 x 12
6469-49	78-8070-1456-4	Stud – Hex, for AccuGlide™ II STD 2 Inch Taping Head
6469-50	78-8114-4702-4	Spacer – for AccuGlide™ II STD 3 Inch Taping Head
6469-51	78-8114-4937-6	Grommet – /20
6469-52	78-8114-4938-4	Support – On/Off
6469-53	78-8017-9318-9	Washer – Plain, 8 mm
6469-54	78-8119-6847-4	Cover – Support W/English Labels

120a Adjustable Case Sealer

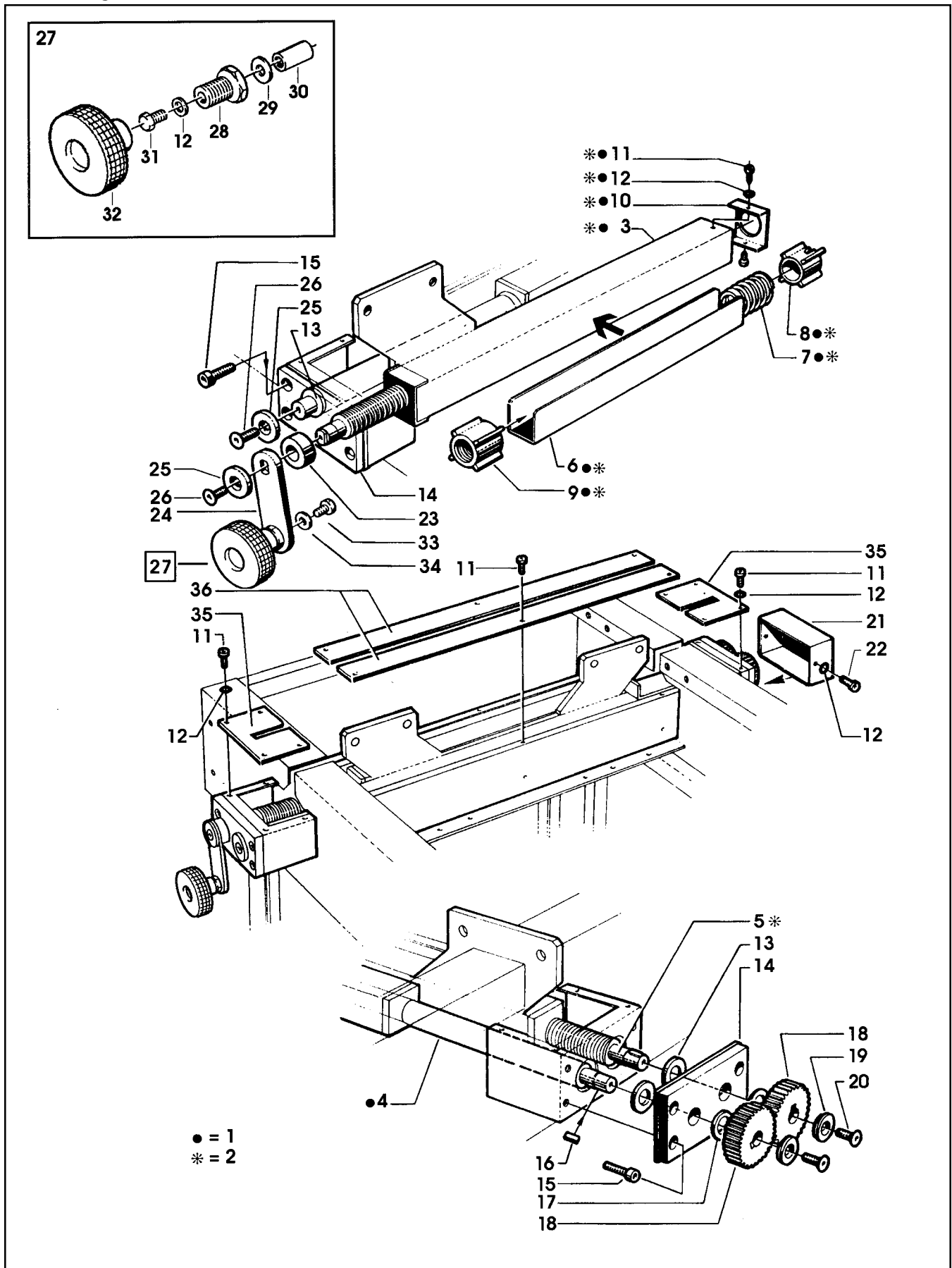


Figure 6470

Figure 6470

Ref. No.	3M Part No.	Description
6470-1	78-8060-8119-2	Support – Side Guide
6470-2	78-8060-8120-0	Support – Side Guide
6470-3	78-8114-4940-0	Support – Guide
6470-4	78-8054-8917-2	Conductor Screw
6470-5	78-8054-8923-0	Side Guide Screw
6470-6	78-8055-0624-9	Spacer
6470-7	78-8055-0623-1	Spring
6470-8	78-8054-8926-3	Collar
6470-9	78-8054-8922-2	Plastic Nut
6470-10	78-8055-0625-6	End Cap
6470-11	26-1002-5753-9	Screw – Self-Tapping
6470-12	78-8005-5740-3	Washer – Plain, 4 mm
6470-13	78-8054-8919-8	Washer – 15/25 x 5 mm
6470-14	78-8054-8918-0	Plate For Screws
6470-15	26-1003-7951-5	Screw – Soc Hd Hex Soc, M5 x 20
6470-16	78-8028-8244-5	Key – 4 x 4 x 10 mm
6470-17	78-8054-8925-5	Washer – 12/25 x 3 mm
6470-18	78-8054-8924-8	Gear – 28 Teeth, 1.5 mm Pitch
6470-19	78-8054-8877-8	Washer – 5,5/20 x 4
6470-20	26-0001-5862-1	Screw – Flat Hd Soc, M5 x 12
6470-21	78-8094-6024-5	Gear Cover
6470-22	26-1002-4955-1	Screw – Self-Tap, 8P x 13
6470-23	78-8054-8920-6	Spacer – 15,5/30 x 10 mm
6470-24	78-8060-8065-7	Lever – Knob
6470-25	78-8054-8577-4	Washer – Special
6470-26	78-8057-5726-3	Screw – F.H. Soc Hd, M6 x 15
6470-27	78-8114-4941-8	Handle Assembly
6470-28	78-8070-1511-6	Bushing
6470-29	78-8070-1510-8	Washer – Nylon, /7 x 15 x 1
6470-30	78-8070-1509-0	Shaft – Crank
6470-31	78-8010-7157-8	Screw – Hex Hd, M4 x 10
6470-32	78-8114-4942-6	Knob – MBT .60, B-M12
6470-33	26-1003-5820-4	Screw – Hex Hd, M5 x 12
6470-34	78-8028-8214-8	Washer
6470-35	78-8094-6023-7	Side Cover
6470-36	78-8054-8914-9	Rear Guide Guard

120a Adjustable Case Sealer

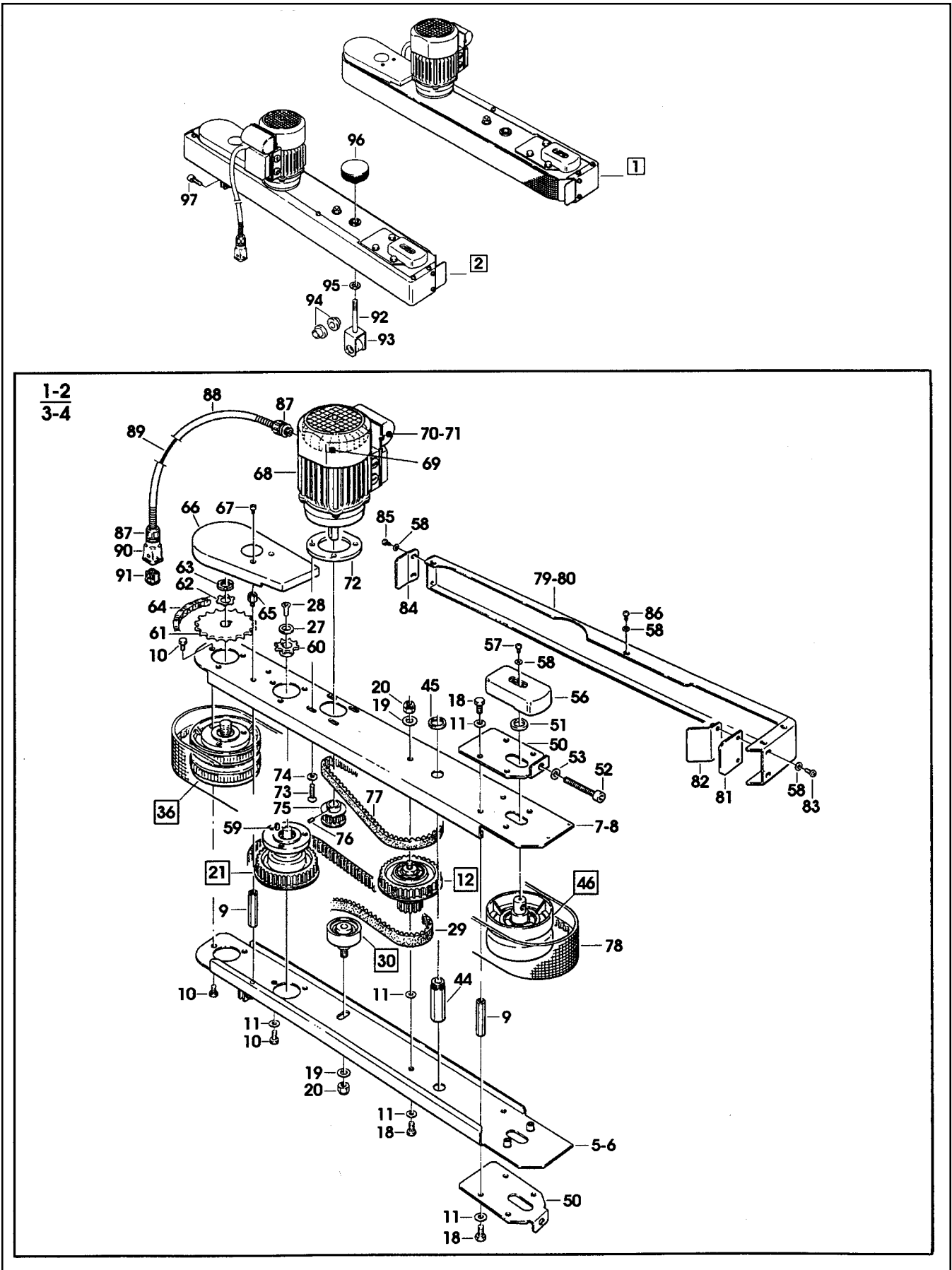


Figure 6471/1 of 2

Figure 6471 (page 1 of 2)

Ref. No.	3M Part No.	Description
6471-1	78-8119-6848-2	Side Drive Assembly – R/H, W/O Motor, W/English Labels
6471-2	78-8119-6849-0	Side Drive Assembly – L/H, W/O Motor, W/English Labels
6471-5	78-8114-4948-3	Guide – Lower, R/H
6471-6	78-8114-4947-5	Guide – Lower, L/H
6471-7	78-8114-4950-9	Guide – Upper, R/H
6471-8	78-8114-4949-1	Guide – Upper, L/H
6471-9	78-8055-0661-1	Spacer
6471-10	26-1003-5829-5	Screw – Hex Hd, M6 x 12
6471-11	26-1000-0010-3	Washer – Flat, M6
6471-12	78-8060-8134-1	Wrap Pulley Assembly
6471-13	78-8060-8135-8	Pulley Wrap
6471-14	78-8023-2410-9	Bearing – 6000-2RS
6471-15	78-8023-2544-5	Bearing – 6203-2RS
6471-16	78-8055-0665-2	Shaft – Pulley Wrap
6471-17	78-8016-5855-6	E-Ring – 10 mm
6471-18	78-8032-0375-7	Screw – Hex Hd, M6 x 16
6471-19	26-1004-5507-5	Washer – M8
6471-20	78-8017-9313-0	Nut – Self-Locking, M8
6471-21	78-8114-4951-7	Drive Pulley Assembly
6471-22	78-8114-4857-6	Shaft – Drive Pulley
6471-23	78-8046-8135-7	Key – 5 x 5 12 mm
6471-24	78-8114-4952-5	Pulley – Drive
6471-25	78-8114-4859-2	Spacer – Drive Pulley
6471-27	78-8054-8877-8	Washer – 5, 5/20 x 4
6471-28	26-0001-5862-1	Screw – Flat Hd Soc, M5 x 12
6471-29	78-8114-4953-3	Belt – Toothed, 240L050
6471-30	78-8091-0523-8	Pulley Assembly – Jockey
6471-31	78-8091-0524-6	Pulley – Jockey
6471-32	78-8060-8008-7	Bearing – 6004-2RS
6471-33	78-8060-8010-3	Snap Ring – 42 mm Shaft
6471-34	78-8091-0525-3	Shaft – Pulley
6471-35	78-8017-9061-5	Snap Ring For 20 mm Shaft
6471-36	78-8091-0714-3	Roller – Drive, 800a-E
6471-37	78-8076-5441-9	Roller – Drive
6471-38	78-8052-6713-1	Ring – Polyurethane
6471-39	78-8055-0669-4	Shaft – Pulley Keyed
6471-40	78-8057-5739-6	Key – M5 x 5 x 30 mm
6471-41	78-8055-0668-6	Washer – 15/26 x 1
6471-42	78-8091-0382-9	Washer – /16
6471-43	78-8076-5442-7	Flange Assembly
6471-44	78-8060-8100-2	Bushing – Threaded
6471-45	78-8017-9096-1	Nut – Special, M18 x 1
6471-46	78-8076-5443-5	Pulley Assembly – Idler
6471-47	78-8055-0660-3	Roller – Idler
6471-48	78-8076-5444-3	Shaft – Idler Pulley
6471-49	12-7997-0272-0	E-Ring – M25

120a Adjustable Case Sealer

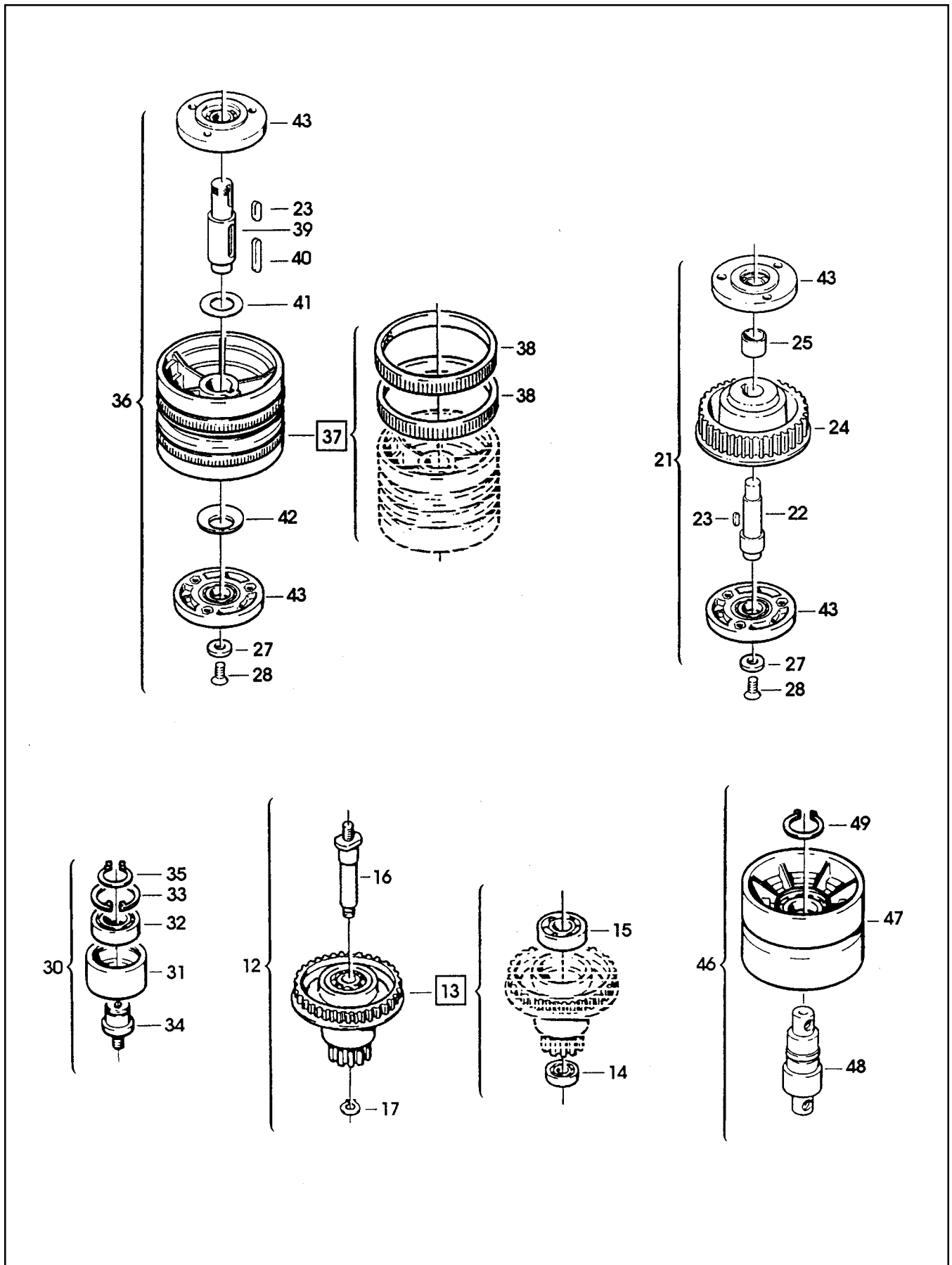


Figure 6471/2 of 2

Figure 6471 (page 2 of 2)

Ref. No.	3M Part No.	Description
6471-50	78-8076-5445-0	Tensioner – Belt
6471-51	78-8076-5446-8	Washer – Shaft
6471-52	78-8070-1519-9	Screw – Soc Hd Hex Hd, M8 x 70
6471-53	78-8017-9318-9	Washer – Plain, 8 mm
6471-56	78-8076-5448-4	Cover – Belt Tensioner
6471-57	78-8055-0850-0	Screw – Cap, M4 x 6
6471-58	78-8005-5740-3	Washer – Plain, 4 mm
6471-59	78-8114-4860-0	Key – 4 x 4 x 12
6471-60	78-8060-8005-3	Sprocket – 3/8 Inch, 11 Teeth
6471-61	78-8060-8019-4	Sprocket – 3/8 Inch, 28 Teeth
6471-62	78-8057-5834-5	Tab Washer
6471-63	78-8057-5835-2	Centering Washer
6471-64	78-8060-8020-2	Chain – 3/8 Inch Pitch, L=50
6471-65	78-8054-8891-9	Screw – Special
6471-66	78-8114-4954-1	Cover – Chain
6471-67	26-1003-7948-1	Screw – Soc Hd Hex Soc, M5 x 10
6471-68	78-8114-4915-2	Motor – 110/115V, 60HZ, 1-Phase
6471-69	78-8091-0383-7	Fan – Motor
6471-70	78-8114-4916-0	Housing – Capacitor For Motor, MH56
6471-71	78-8114-4918-6	Capacitor – 20MF, 250V
6471-72	78-8094-6050-0	Spacer – Motor
6471-73	26-1005-4757-4	Screw – Flat Hd, Soc Dr, M5 x 20
6471-74	78-8060-8073-1	Washer – Motor
6471-75	78-8054-8885-1	Pulley –Timing, 14 Teeth For 60 HZ Motor
6471-76	26-1003-8816-9	Screw – Set, M5 x 6
6471-77	78-8091-0399-3	Belt – Toothed, 156XL050
6471-78	78-8114-4955-8	Belt – Drive, With Hook
6471-79	78-8119-6852-4	Cover – Drive, R/H, W/English Labels
6471-80	78-8119-6853-2	Cover – Drive, L/H, W/English Labels
6471-81	78-8100-1214-2	Guard – Rubber
6471-82	78-8100-1215-9	Guard – Metal
6471-83	78-8076-5255-3	Screw – Phillips Hd, M4 x 12
6471-84	78-8100-1213-4	Guard – Belt
6471-85	26-1002-4955-1	Screw – Self-Tap, 8PX13
6471-86	26-1002-5753-9	Screw – Self-Tapping
6471-87	78-8060-7626-7	Connector
6471-88	78-8060-8038-4	Conduit – /12 0.45m
6471-89	78-8060-8053-3	Wire – 3-Pole, 5 Meters Length
6471-90	78-8060-7877-6	Plug Housing – Vertical
6471-91	78-8060-7875-0	Plug – Male
6471-92	78-8055-0666-0	Screw – Special
6471-93	78-8054-8901-6	Bracket – Guide
6471-94	78-8054-8902-4	Bushing – Flanged
6471-95	26-1004-5510-9	Washer – Plain, M10
6471-96	78-8114-4959-0	Knob – MBT.50 B-M10
6471-97	26-1003-7965-5	Screw – Soc Hd Hex Soc, M8 x 25

120a Adjustable Case Sealer

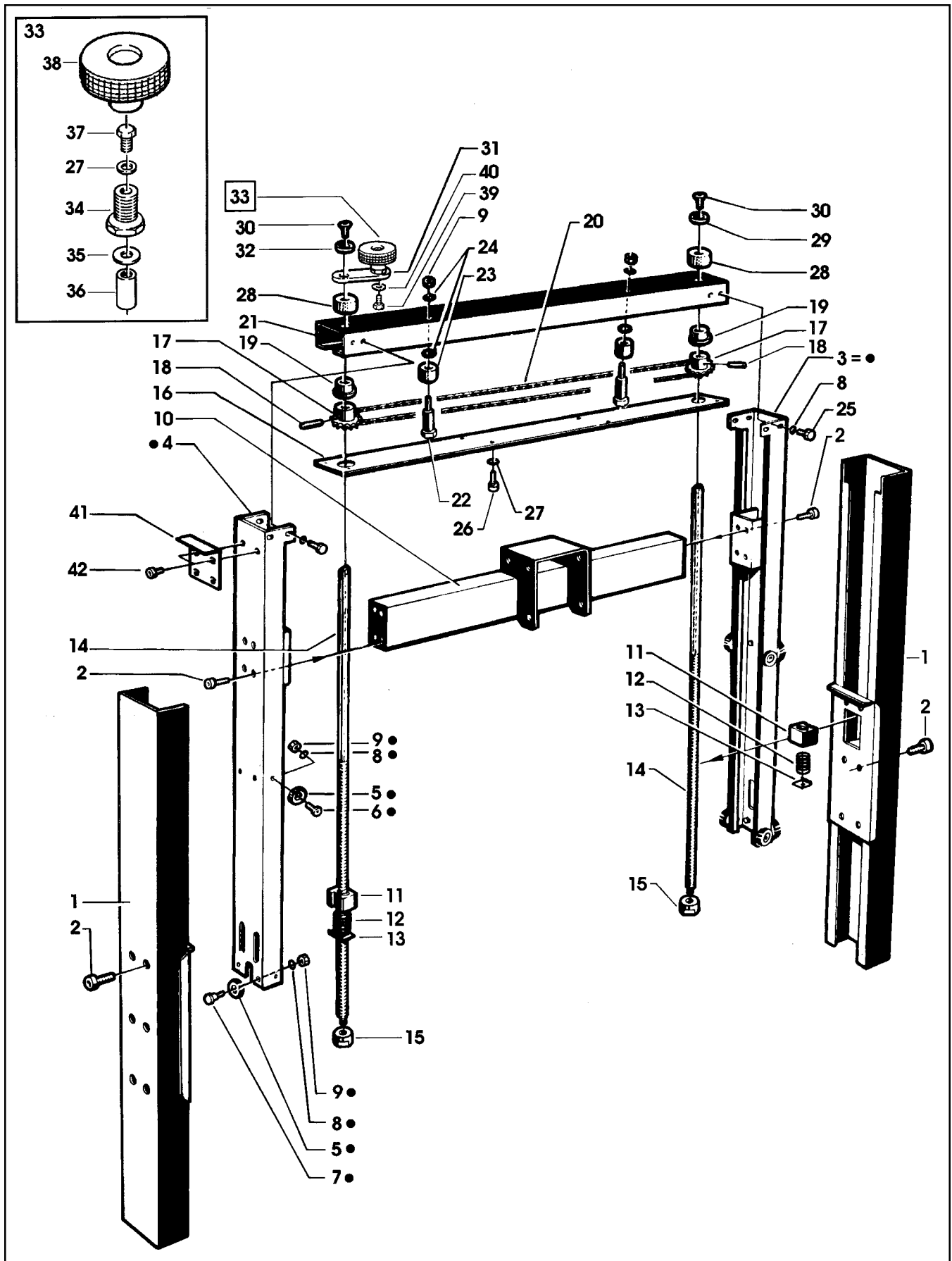


Figure 6472

Figure 6472

Ref. No.	3M Part No.	Description
6472-1	78-8119-6854-0	Column, W/English Labels
6472-2	26-1003-7964-8	Screw – Soc Hd Hex Soc Dr, M8 x 20
6472-3	78-8094-6030-2	Column Assembly – Inner
6472-4	78-8094-6028-6	Column – Inner
6472-5	78-8055-0637-1	Caster – /45
6472-6	78-8017-9106-8	Screw – Bearing Shoulder
6472-7	78-8054-8589-9	Screw – Special
6472-8	26-1000-0010-3	Washer – Flat, M6
6472-9	26-1003-6916-9	Nut – Locking, Plastic Insert, M6
6472-10	78-8094-6027-8	Support – Head
6472-11	78-8054-8571-7	Nut – Plastic
6472-12	78-8054-8969-3	Spring
6472-13	78-8054-8970-1	Bed Plate For Spring
6472-14	78-8054-8573-3	Lead Screw
6472-15	78-8054-8968-5	Nut – Special
6472-16	78-8094-6026-0	Cover – Crossmember
6472-17	78-8055-0731-2	Sprocket – 3/8 Inch Pitch, 13 Teeth
6472-18	78-8054-8586-5	Pin
6472-19	78-8060-8125-9	Bushing
6472-20	78-8055-0728-8	Chain – 3/8 Inch Pitch, 139 Pitch Long
6472-21	78-8119-6855-7	Crossmember, W/English Labels
6472-22	78-8060-7878-4	Idler Screw
6472-23	78-8054-8575-8	Idler Roller
6472-24	78-8042-2919-9	Washer – Triple, M6
6472-25	78-8032-0375-7	Screw – Hex Hd, M6 x 16
6472-26	26-1002-5753-9	Screw – Self-Tapping
6472-27	78-8005-5740-3	Washer – Plain, 4 mm
6472-28	78-8054-8581-6	Spacer
6472-29	78-8055-0732-0	Washer – Special
6472-30	26-1001-9843-6	Screw – Flat Soc Hd, M6 x 16
6472-31	78-8060-8065-7	Lever – Knob
6472-32	78-8054-8577-4	Washer – Special
6472-33	78-8114-4941-8	Handle Assembly
6472-34	78-8070-1511-6	Bushing
6472-35	78-8070-1510-8	Washer – Nylon, /7 x 15 x 1
6472-36	78-8070-1509-0	Shaft – Crank
6472-37	78-8010-7157-8	Screw – Hex Hd, M4 x 10
6472-38	78-8114-4942-6	Knob – MBT.60 B-M12
6472-39	26-1003-5820-4	Screw – Hex Hd, M5 x 12
6472-40	78-8028-8214-8	Washer
6472-41	78-8114-4960-8	Bracket – Column
6472-42	78-8076-4503-7	Screw – M6 x 12

120a Adjustable Case Sealer

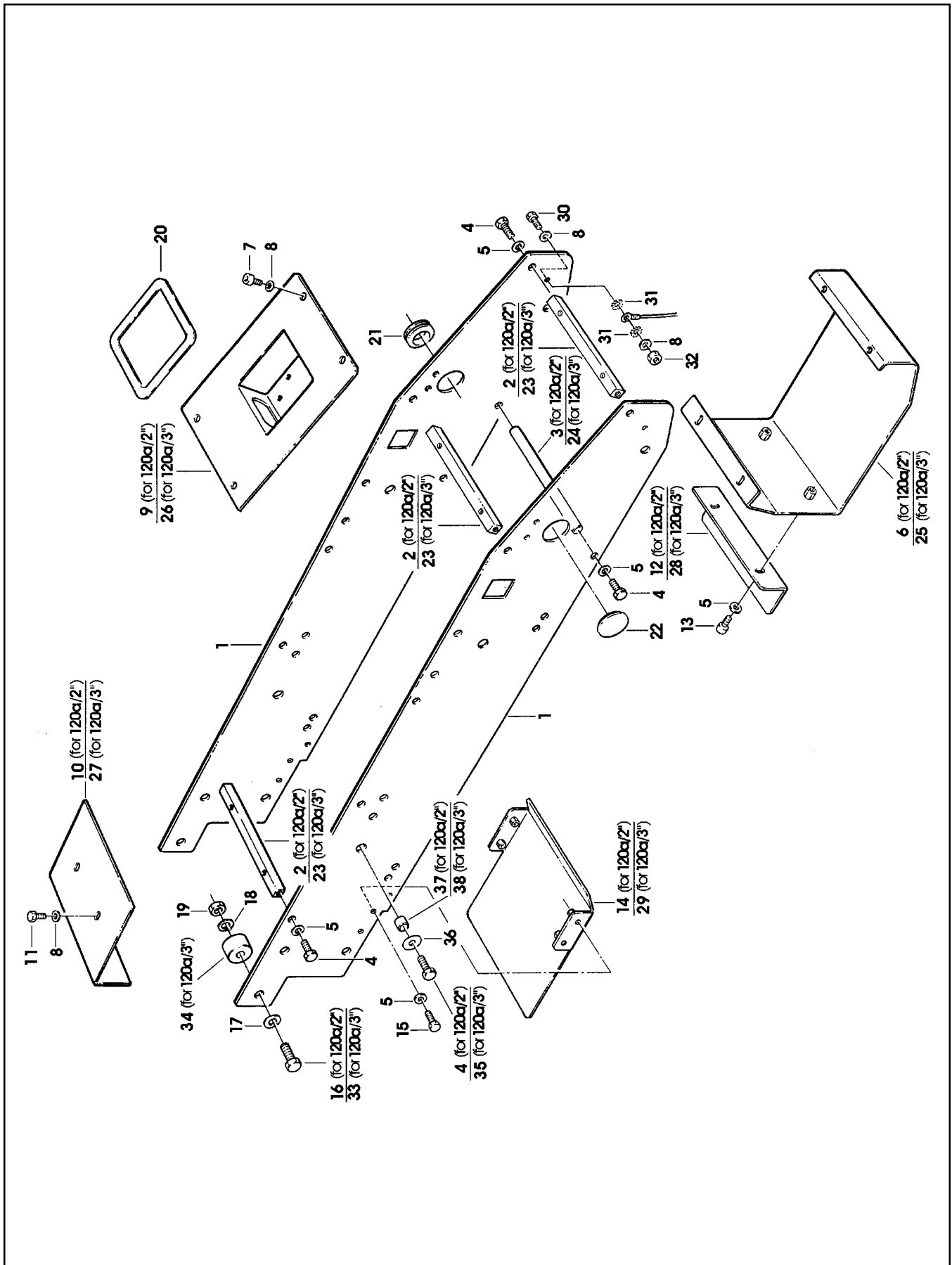


Figure 6473

Figure 6473

Ref. No.	3M Part No.	Description
6473-1	78-8119-6856-5	Frame – Support, Upper Head, W/English Labels
6473-2	78-8055-0645-4	Spacer – (120a)
6473-3	78-8055-0643-9	Spacer – (120a)
6473-4	78-8032-0375-7	Screw – Hex Hd, M6 x 16
6473-5	26-1000-0010-3	Washer – Flat, M6
6473-6	78-8114-4962-4	Holder – (120a)
6473-7	26-1003-7948-1	Screw – Soc Hd Hex Soc, M5 x 10
6473-8	78-8005-5741-1	Washer – Flat, M5
6473-9	78-8119-6857-3	Cover – Holder, W/English Labels (120a)
6473-10	78-8094-6039-3	Cover – Rear (120a)
6473-11	78-8010-7163-6	Screw – Hex Hd, M5 x 10
6473-12	78-8114-4964-0	Corner – Holder (120a)
6473-13	78-8010-7209-7	Screw – Soc Hd, M6 x 12
6473-14	78-8114-4965-7	Slide – Rear (120a)
6473-15	78-8010-7169-3	Screw – Hex Hd, M6 x 12
6473-16	26-1003-5842-8	Screw – Hex Hd, M8 x 20 (120a)
6473-17	78-8017-9318-9	Washer – Plain, 8 mm
6473-18	78-8005-5736-1	Lockwasher For M8 Screw
6473-19	26-1000-1347-8	Nut – Hex, M8
6473-20	78-8100-1234-0	Collar
6473-21	78-8114-4937-6	Grommet
6473-22	78-8114-4966-5	Cap
6473-23	78-8054-8931-3	Spacer – 10 x 10 x 140 mm (120a3)
6473-24	78-8054-8929-7	Spacer – 10 x 140 mm (120a3)
6473-25	78-8114-4967-3	Holder – (120a3)
6473-26	78-8119-6858-1	Cover – Holder, W/English Labels (120a3)
6473-27	78-8094-6040-1	Cover – Rear (120a3)
6473-28	78-8114-4969-9	Corner – Holder (120a3)
6473-29	78-8114-4970-7	Slide – Rear (120a3)
6473-30	78-8060-8488-1	Screw – Hex Hd, M5 x 20
6473-31	78-8046-8217-3	Washer – Special
6473-32	78-8010-7417-6	Nut – Hex, M5
6473-33	26-1002-4176-4	Screw – Hex Hd, M8 x 35 (120a3)
6473-34	78-8055-0733-8	Spacer – (120a3)
6473-35	78-8010-7193-3	Screw – Hex Hd, M6 x 20 (120a3)
6473-36	78-8042-2919-9	Washer – Triple, M6
6473-37	78-8070-1454-9	Spacer – Collar (120a3)
6473-38	78-8114-4971-5	Support – (120a3)

120a Adjustable Case Sealer

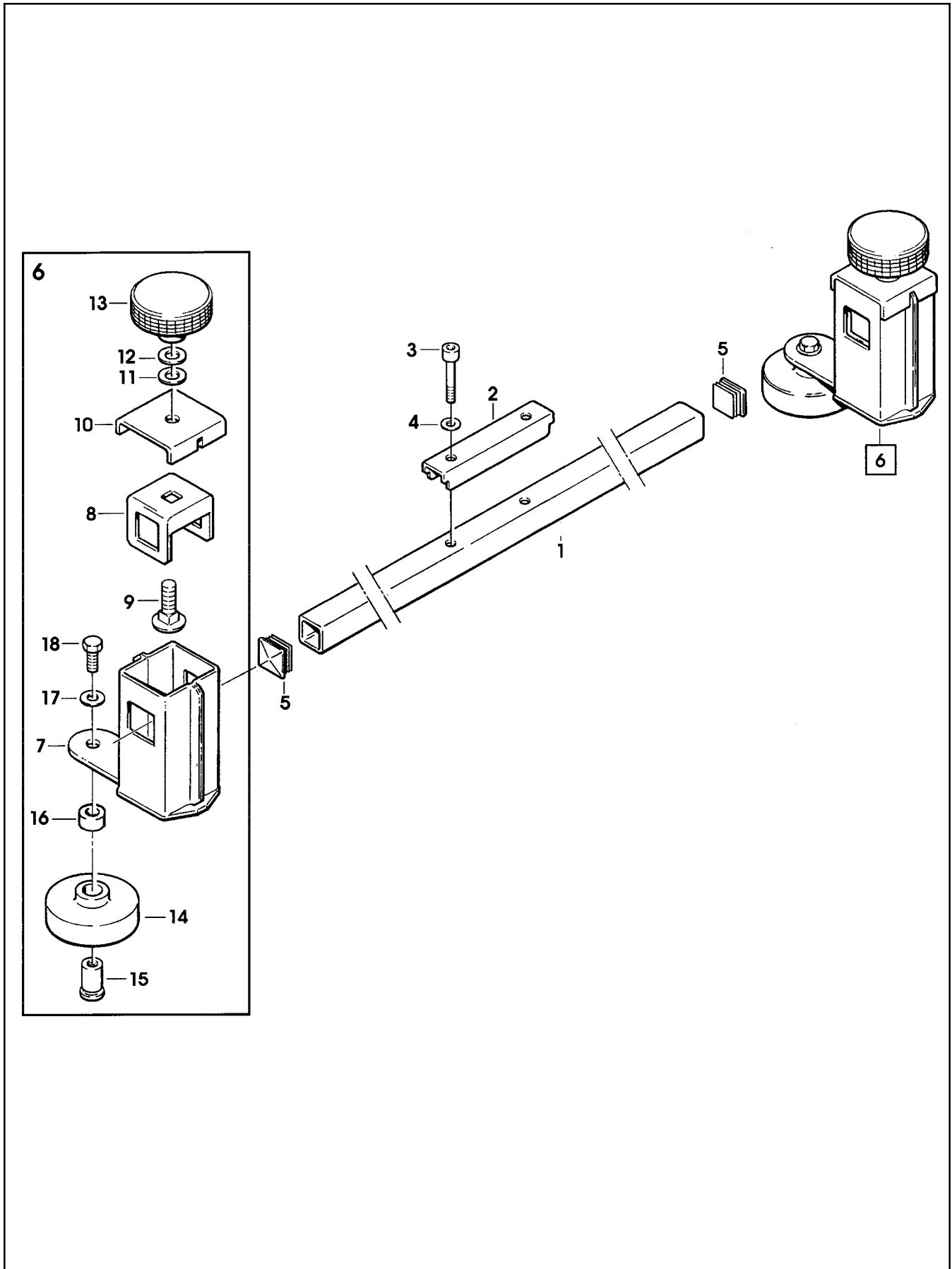


Figure 6474

Figure 6474

Ref. No.	3M Part No.	Description
6474-1	78-8114-4972-3	Support – Compression Roller
6474-2	78-8114-4973-1	Bracket – Support
6474-3	26-1003-7962-2	Screw – Soc Hd, M6 x 40
6474-4	26-1000-0010-3	Washer – Flat, M6
6474-5	78-8052-6652-1	Cap – End
6474-6	78-8114-4974-9	Compression Roller Assembly
6474-7	78-8119-6859-9	Compression Roller Bracket, W/English Labels
6474-8	78-8076-4630-8	Plate – Tube, Roller
6474-9	78-8076-4631-6	Screw – M10 x 35
6474-10	78-8114-4976-4	Cover
6474-11	78-8017-9074-8	Washer – Nylon, 15 mm
6474-12	78-8052-6566-3	Washer – Friction
6474-13	78-8114-4959-0	Knob – MBT.50 B-M10
6474-14	78-8114-4977-2	Roller – Compression
6474-15	78-8076-4629-0	Shaft – Roller
6474-16	78-8114-4993-9	Spacer
6474-17	78-8017-9318-9	Washer – Plain, 8 mm
6474-18	78-8017-9301-5	Screw – Hex Hd, M8 x 25

120a Adjustable Case Sealer

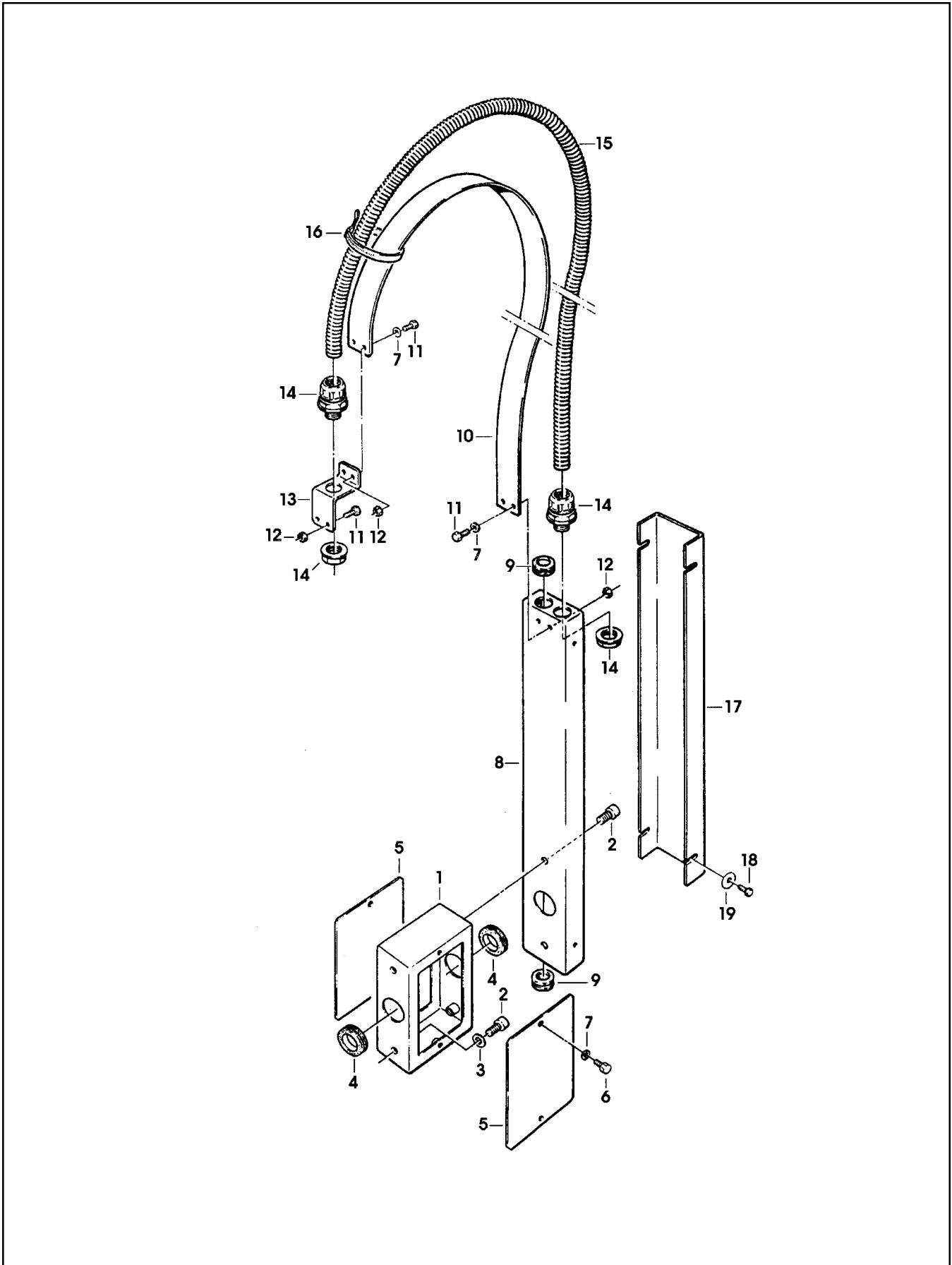


Figure 6475

Figure 6475

Ref. No.	3M Part No.	Description
6475-1	78-8114-4978-0	Spacer
6475-2	26-1003-7963-0	Screw – Soc Hd, M8 x 16
6475-3	78-8017-9318-9	Washer – Plain, 8 mm
6475-4	78-8114-4937-6	Grommet – /20
6475-5	78-8114-4979-8	Cover
6475-6	26-1003-5820-4	Screw – Hex Hd, M5 x 12
6475-7	78-8005-5741-1	Washer – Flat, M5
6475-8	78-8052-6657-0	Housing – Wire
6475-9	78-8052-6659-6	Grommet
6475-10	78-8114-4980-6	Strap – Wire
6475-11	78-8010-7163-6	Screw – Hex Hd, M5 x 10
6475-12	78-8010-7417-6	Nut – Hex, M5
6475-13	78-8054-8955-2	Clamp – Bracket
6475-14	78-8060-7631-7	Connector – 3/8 Inch
6475-15	78-8114-4981-4	Conduit – /12, 730 mm
6475-16	78-8060-8029-3	Clamp
6475-17	78-8091-0603-8	Cover – Housing
6475-18	26-1003-5810-5	Screw – Hex Hd, M4 x 8
6475-19	78-8017-9018-5	Washer – Plain, M4 Special

120a Adjustable Case Sealer

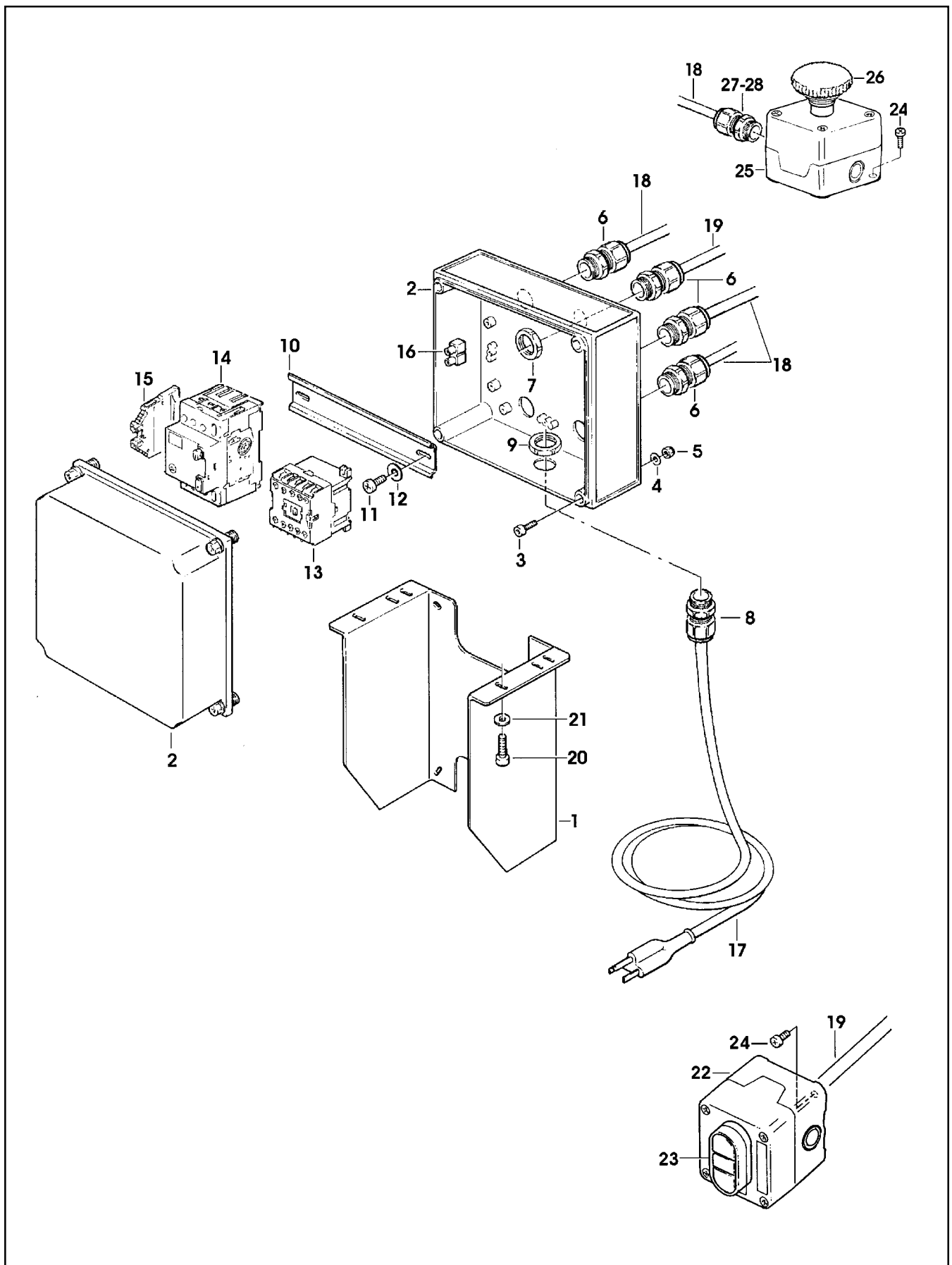
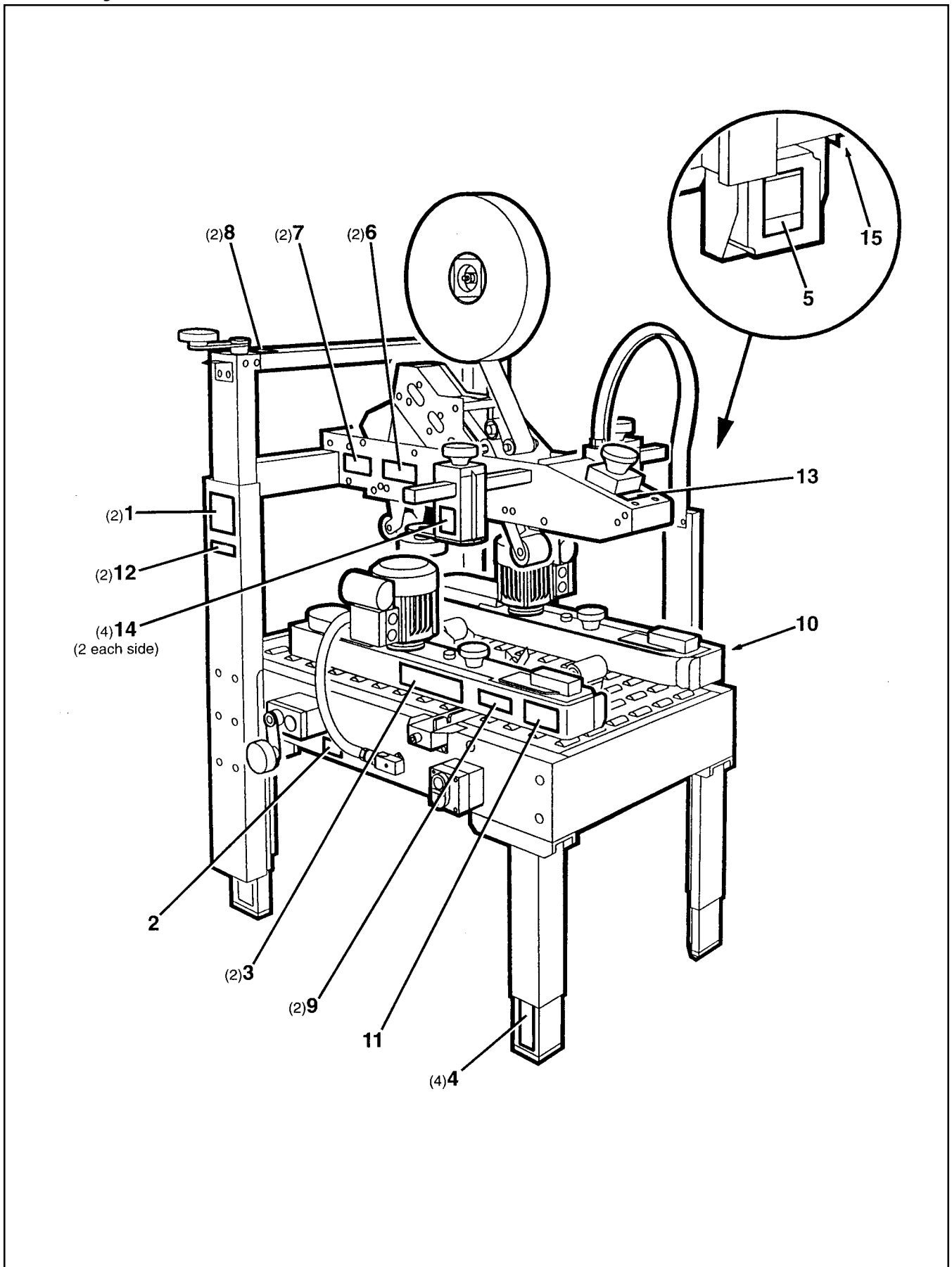


Figure 6476

Figure 6476

Ref. No.	3M Part No.	Description
6476-1	78-8094-6379-3	Support – Box
6476-2	78-8113-6759-4	Box, W/English Label
6476-3	26-1003-7945-7	Screw – Soc Hd, M4 x 20
6476-4	78-8005-5740-3	Washer – Plain, 4 mm
6476-5	26-1003-6914-4	Nut – Plastic Insert, M4
6476-6	78-8076-4715-7	Cord Grip
6476-7	78-8076-5211-6	Set Nut – GMP13.5
6476-8	78-8057-5807-1	Cord Grip – ST 16
6476-9	78-8100-1202-7	Lock Nut – GMP 16
6476-10	78-8094-6382-7	Guide – Mounting
6476-11	78-8028-8208-0	Screw – 6PX9.5
6476-12	78-8017-9018-5	Washer – Plain, M4 Special
6476-13	78-8094-6383-5	Contactora – Sprecher & Schuh, CA4-5-10, 110V, 60HZ
6476-14	78-8076-5378-3	Switch – Thermal, Sprecher & Schuh, KTA 3-25
6476-15	78-8094-6384-3	Clamp
6476-16	78-8076-4968-2	Terminal
6476-17	78-8028-7909-4	Power Cord – U.S.A.
6476-18	78-8060-8053-3	Wire – 3-Pole, 5 Meters Length
6476-19	78-8100-1038-5	Cable – 3X20 AWG, 5 MT
6476-20	26-1003-7957-2	Screw – Soc Hd Hex Hd, M6 x 16
6476-21	26-1000-0010-3	Washer – Flat, M6
6476-22	78-8114-4896-4	Box – On/Off, Grey, Allen Bradley
6476-23	78-8094-6386-8	Switch – On/Off, DM3N-C-01/10, Allen Bradley
6476-24	78-8017-9257-9	Screw – Phillis Head, M4 x 10
6476-25	78-8076-5194-4	Box – E-Stop, Yellow, Allen Bradley
6476-26	26-1014-5845-8	E-Stop – 800EM-MTS44-3LX01, Allen Bradley
6476-27	78-8076-4532-6	Cord Grip
6476-28	78-8076-4645-6	Lock Nut

120a Adjustable Case Sealer



Safety and Information Labels

A label kit, part number 78-8098-9043-3, is available as a stock item. It contains all the safety and information labels used on the case sealer, or labels can be ordered separately from the following list.

Ref. No.	3M Part No.	Description	Qty.
1	78-8070-1366-5	Label – Safety Instructions	2
2	78-8070-1622-1	Label – In/Out	2
3	78-8119-6838-3	Label – Product	2
4	78-8052-6680-2	Label – Leg	4
5	78-8070-1329-3	Label – Warning, Hazardous Voltage	1
6	78-8070-1336-8	Label – Warning, Sharp Knife	2
7	78-8070-1339-2	Label – 3M Logo	2
8	78-8070-1423-4	Label – Up/Down	2
9	78-8070-1629-6	Label – Belt Tensioning	2
10	78-8070-1331-9	Label – Warning, Moving Belts	1
11	78-8070-1330-1	Label – Warning, Moving Belts	1
12	78-8068-3859-1	Label – Service and Spares	2
13	78-8095-1141-9	Label – Stop	1
14	78-8119-6751-8	Label – Caution, Pinch Point	4
15	78-8095-1154-2	Label – Ground	1