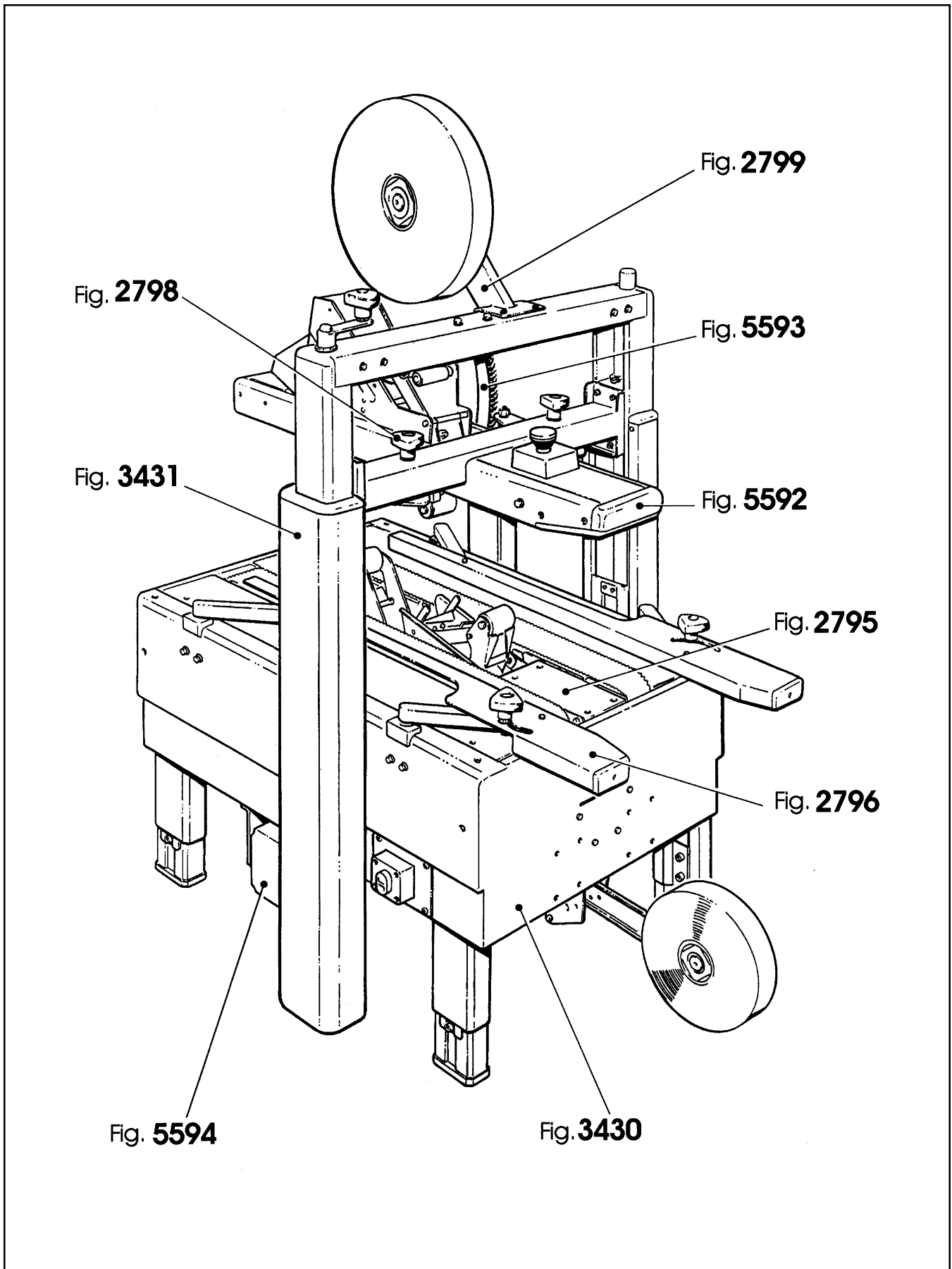


# 200a Adjustable Case Sealer



## Frame Assemblies

# 200a Adjustable Case Sealer

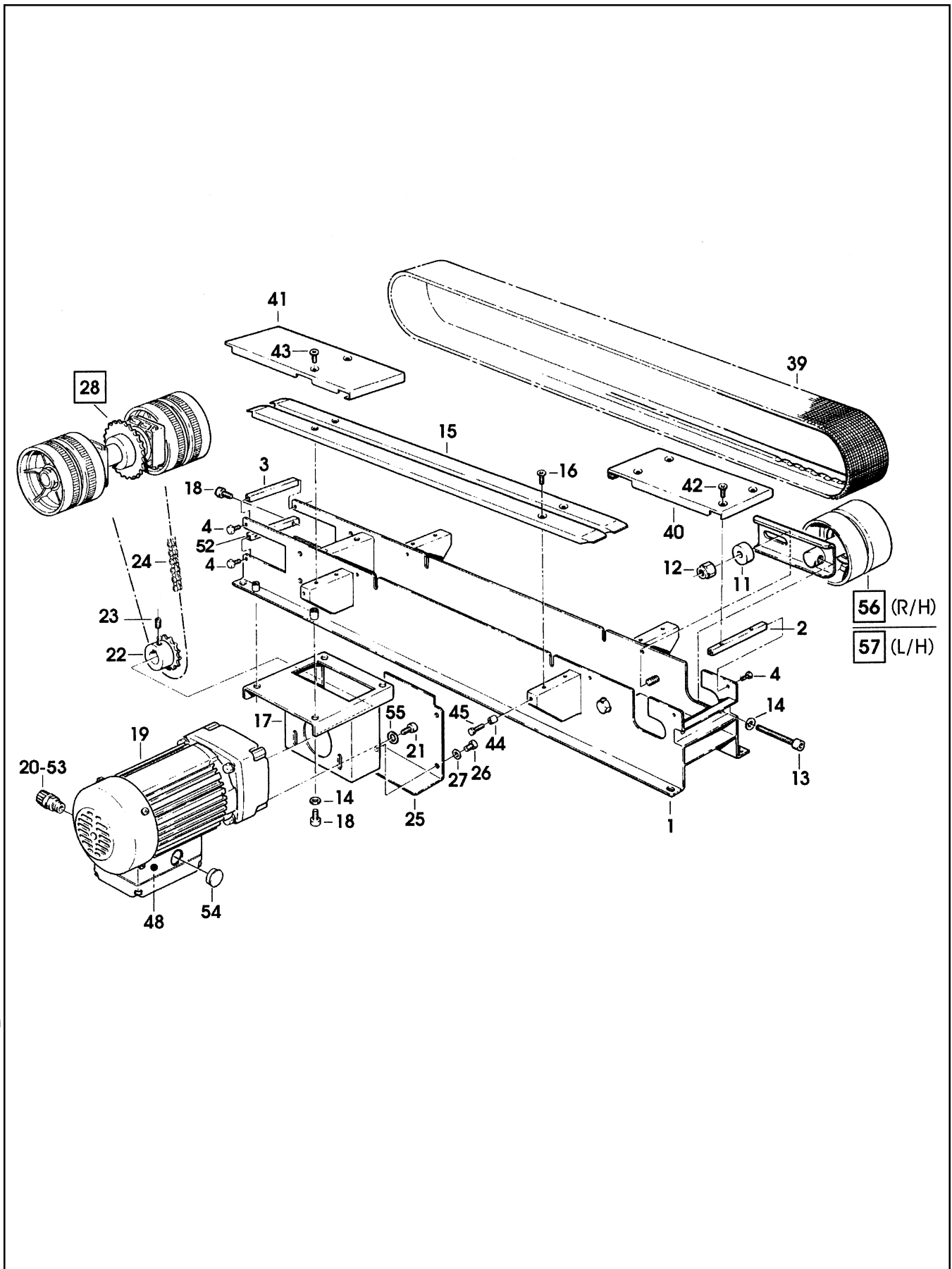


Figure 2795/1 of 2

## Figure 2795 (Page 1 of 2)

Ref. No.	3M Part No.	Description
2795-1	78-8070-1513-2	Frame – Drive
2795-2	78-8070-1514-0	Spacer
2795-3	78-8070-1515-7	Spacer
2795-4	26-1003-5829-5	Screw – Hex Hd, M6 x 12
2795-7	78-8052-6710-7	Roller – Idler
2795-8	78-8052-6709-9	Washer – Special
2795-9	78-8010-7435-8	Washer – Lock, M6
2795-10	26-1003-7957-2	Screw – Soc Hd Hex Hd, M6 x 16
2795-11	78-8070-1518-1	Spacer – Shaft
2795-12	26-1003-6918-5	Nut – Hex Flange, M10, Plastic Insert
2795-13	78-8070-1519-9	Screw – Soc Hd Hex Hd, M8 x 70
2795-14	78-8017-9318-9	Washer – Plain 8 mm
2795-15	78-8070-1520-7	Guide – Drive Belt
2795-16	26-1005-4757-4	Screw – Flat Hd M5 x 20
2795-17	78-8070-1521-5	Support – Gearbox
2795-18	26-1003-7964-8	Screw – Soc Hd Hex Soc Dr, M8 x 20
2795-19	78-8070-1522-3	Gear Motor – 115V, 60HZ
2795-20	78-8076-4715-7	Cord – Grip
2795-21	78-8070-1523-1	Screw – 1/4-28 x 1/2 SHCS
2795-22	78-8070-1524-9	Sprocket – 3/8 inch
2795-23	78-8023-2479-4	Screw – Set M6 x 10, W/End Cup
2795-24	78-8070-1525-6	Chain – 3/8 inch, 54 Links

# 200a Adjustable Case Sealer

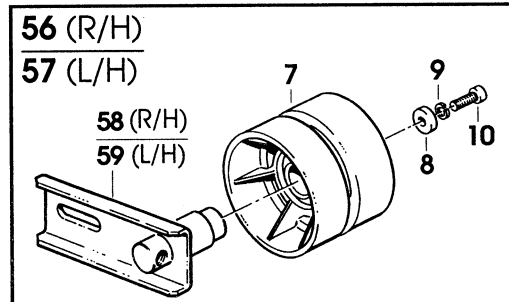
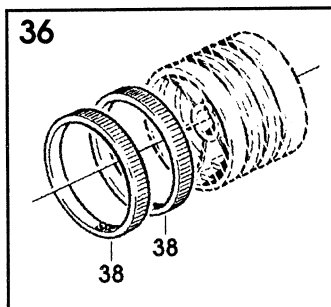
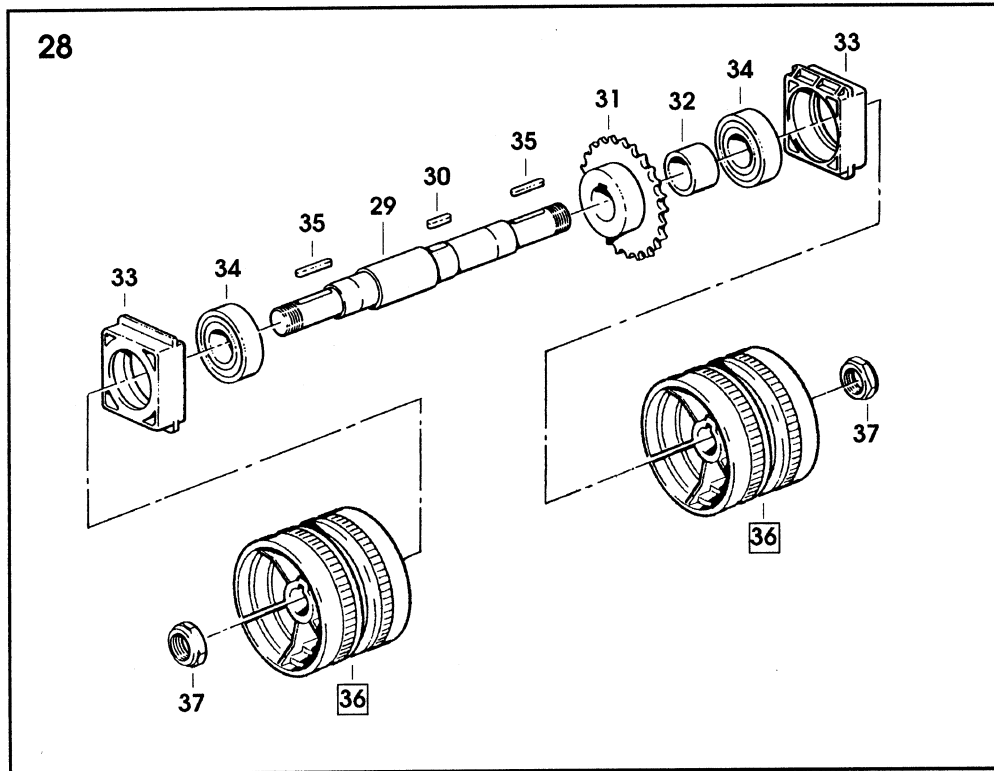
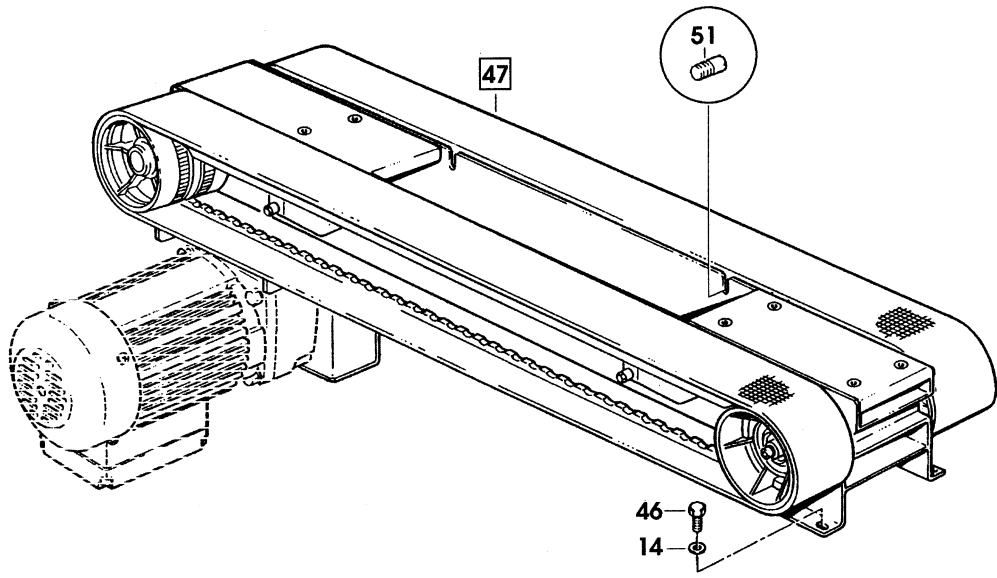


Figure 2795/2 of 2

## Figure 2795 (Page 2 of 2)

Ref. No.	3M Part No.	Description
2795-25	78-8070-1526-4	Cover – Chain
2795-26	78-8010-7209-7	Screw – Soc Hd, M6 x 12
2795-27	26-1000-0010-3	Washer – Flat, M6
2795-28	78-8070-1527-2	Shaft – W/Drive Pulleys
2795-29	78-8070-1528-0	Shaft – Gearbox
2795-30	78-8057-5811-3	Key – 6 x 6 x 20 mm
2795-31	78-8054-8986-7	Sprocket – 3/8 inch Pitch, 28 teeth
2795-32	78-8054-8984-2	Bushing
2795-33	78-8070-1529-8	Support – Shaft
2795-34	78-8070-1530-6	Bearing – 6205-2RS
2795-35	78-8057-5739-6	Key – M5 x 5 x 30 mm
2795-36	78-8076-5105-0	Pulley Assembly – Drive
2795-37	78-8060-8416-2	Nut – Special, M20 x 1
2795-38	78-8052-6713-1	Ring – Polyurethane
2795-39	78-8070-1531-4	Belt – Drive W/Hook
2795-40	78-8070-1532-2	Plate – Front
2795-41	78-8113-6754-5	Cover – Rear, W/English Language Label
2795-42	26-0001-5862-1	Screw – Flat Hd Soc, M5 x 12
2795-43	26-1005-5316-8	Screw – Flat Hd Hex Dr, M5 x 16
2795-44	78-8070-1534-8	Stud – Side Plate
2795-45	78-8060-8488-1	Screw – Hex Hd, M5 x 20
2795-46	26-1003-5841-0	Screw – M8 x 16
2795-47	78-8070-1535-5	Bottom Drive Assembly
2795-48	26-1011-8828-7	Capacitor – 115V Gearmotor
2795-51	78-8076-4500-3	Stud – Mounting
2795-52	78-8094-6015-3	Spacer
2795-53	78-8076-5211-6	Set Nut – GMP13.5
2795-54	78-8060-7885-9	End Cap – /25X1,2
2795-55	78-8042-2919-9	Washer – Triple, M6
2795-56	78-8100-1236-5	Belt Tensioning Assembly – R/H
2795-57	78-8100-1237-3	Belt Tensioning Assembly – L/H
2795-58	78-8100-1238-1	Belt Tensioner – R/H
2795-59	78-8100-1239-9	Belt Tensioner – L/H

# 200a Adjustable Case Sealer

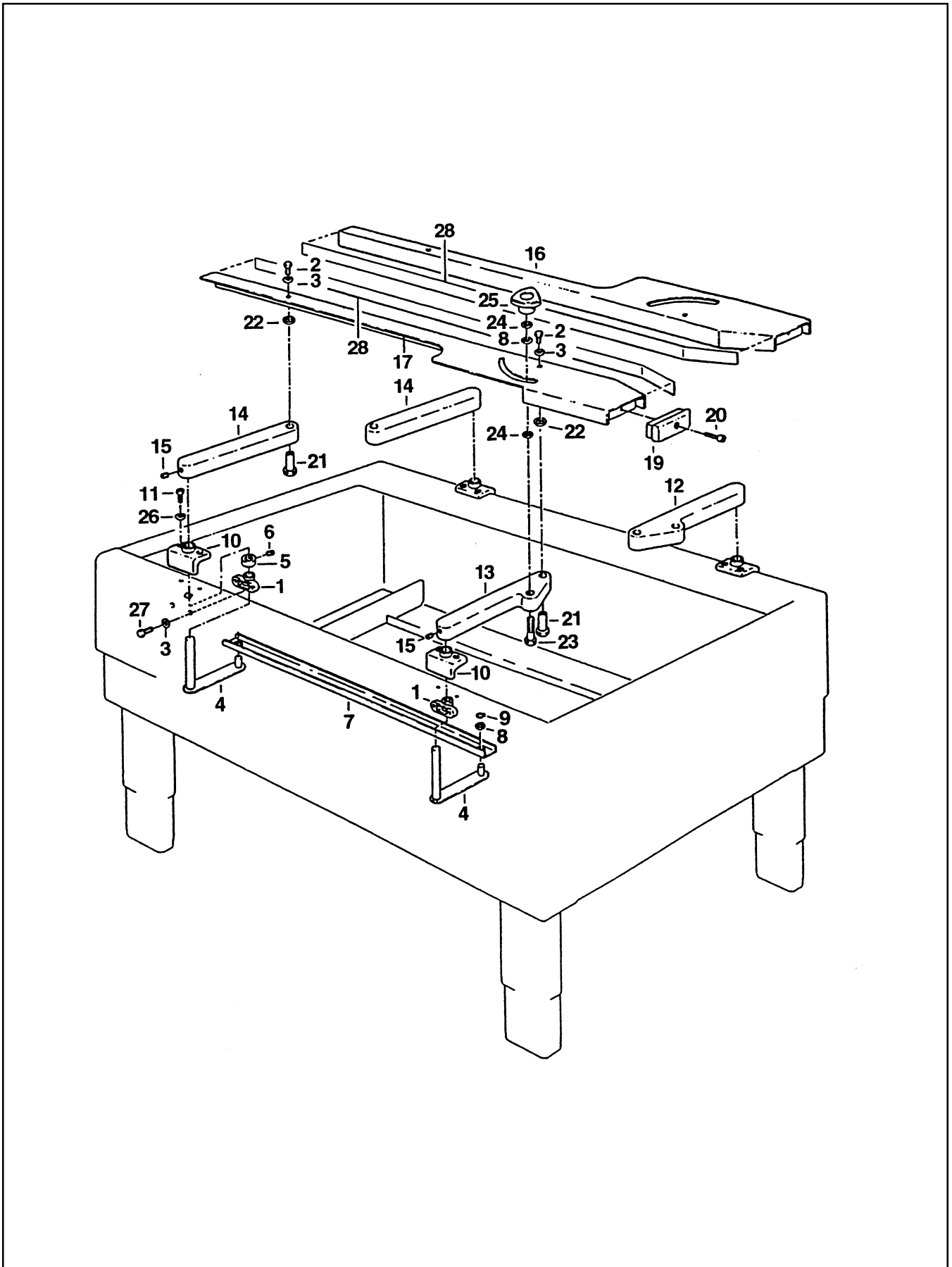


Figure 2796

## Figure 2796

Ref. No.	3M Part No.	Description
2796-1	78-8070-1536-3	Support – Guide Arm
2796-2	78-8010-7169-3	Screw – Hex Hd, M6 x 12
2796-3	26-1000-0010-3	Washer – Flat, M6
2796-4	78-8070-1537-1	Lever With Pivot
2796-5	78-8070-1538-9	Bushing
2796-6	26-1003-8816-9	Screw – Set, M5 x 6
2796-7	78-8070-1539-7	Link – Guide
2796-8	78-8017-9074-8	Washer – 15 mm, Nylon
2796-9	78-8052-6733-9	Ring – M10, Special
2796-10	78-8070-1540-5	Support – Lever
2796-11	78-8032-0382-3	Screw – Soc Hd, M5 x 16
2796-12	78-8070-1541-3	Guide Arm – Front, Right
2796-13	78-8070-1542-1	Guide Arm – Front, Left
2796-14	78-8070-1543-9	Guide Arm – Rear
2796-15	78-8076-4505-2	Screw – Set, M6 x 8
2796-16	78-8070-1544-7	Guide – Right
2796-17	78-8070-1545-4	Guide – Left
2796-19	78-8070-1546-2	Cap – Guide
2796-20	26-1003-7953-1	Screw – Soc Hd, M5 x 30
2796-21	78-8070-1547-0	Shaft - Guide
2796-22	78-8070-1548-8	Washer – 20 x 12, 5 x 1 Nylon
2796-23	26-1003-5852-7	Screw – Hex Hd, M10 x 40
2796-24	78-8052-6566-3	Washer – Friction
2796-25	78-8070-1549-6	Knob – VTR-B-M10
2796-26	78-8005-5735-3	Washer – Lock, M5
2796-27	78-8032-0375-7	Screw – Hex Hd, M6 x 16
2796-28	78-8079-5378-7	Tape – Guide

# 200a Adjustable Case Sealer

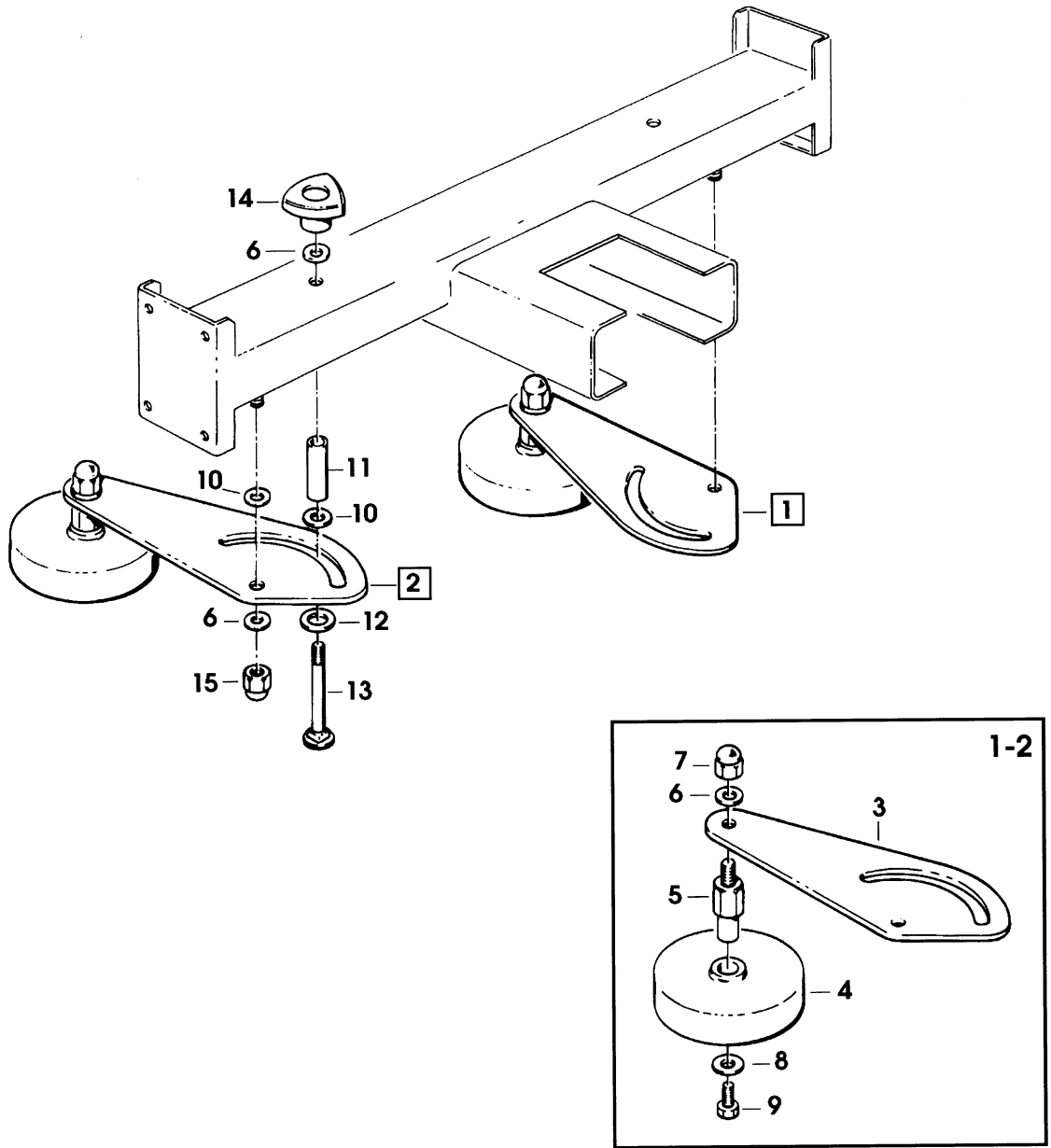


Figure 2798



## Figure 2798

<b>Ref. No.</b>	<b>3M Part No.</b>	<b>Description</b>
2798-1	78-8070-1557-9	Compression Roller Assembly – Right
2798-2	78-8070-1558-7	Compression Roller Assembly – Left
2798-3	78-8070-1559-5	Support – Compression Roller
2798-4	78-8054-8648-3	Pressure Roller
2798-5	78-8070-1560-3	Stud – Roller Mounting
2798-6	78-8052-6566-3	Washer – Friction
2798-7	78-8070-1561-1	Nut – M10
2798-8	26-1004-5507-5	Washer – M8
2798-9	26-1003-5841-0	Screw – M8 x 16
2798-10	78-8017-9074-8	Washer – 15 mm, Nylon
2798-11	78-8070-1562-9	Tube – Roller Support
2798-12	12-7991-1752-3	Washer – M14, Plain
2798-13	78-8070-1563-7	Screw – M10 x 80
2798-14	78-8070-1549-6	Knob – VTR-B-M10
2798-15	26-1003-6918-5	Nut – Plastic Insert M10 Hex Flange

# 200a Adjustable Case Sealer

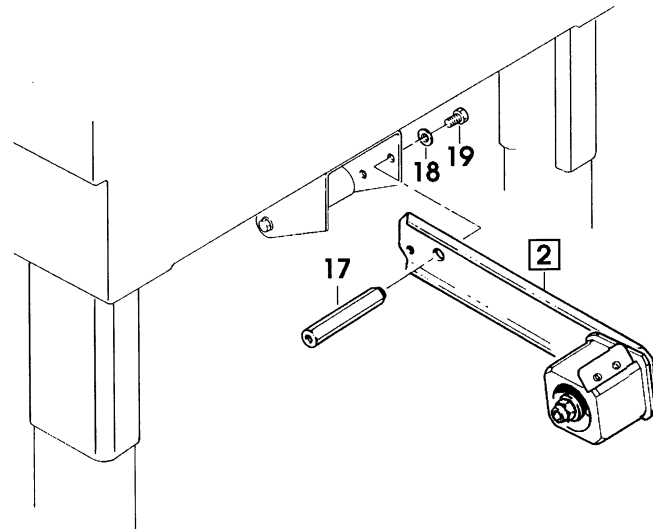
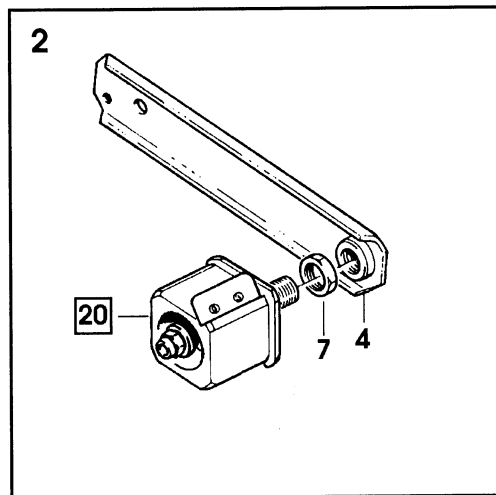
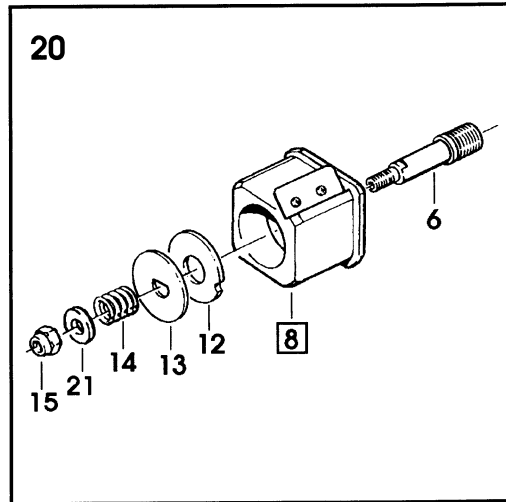
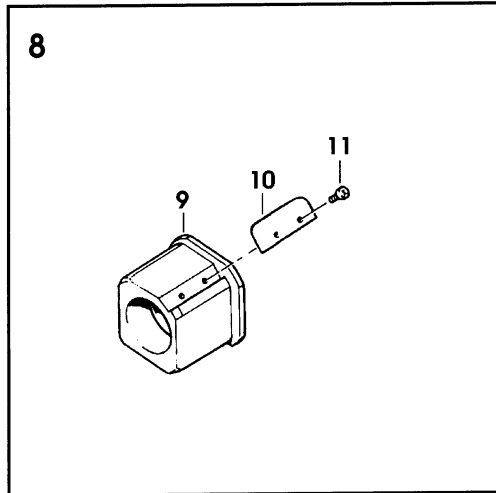
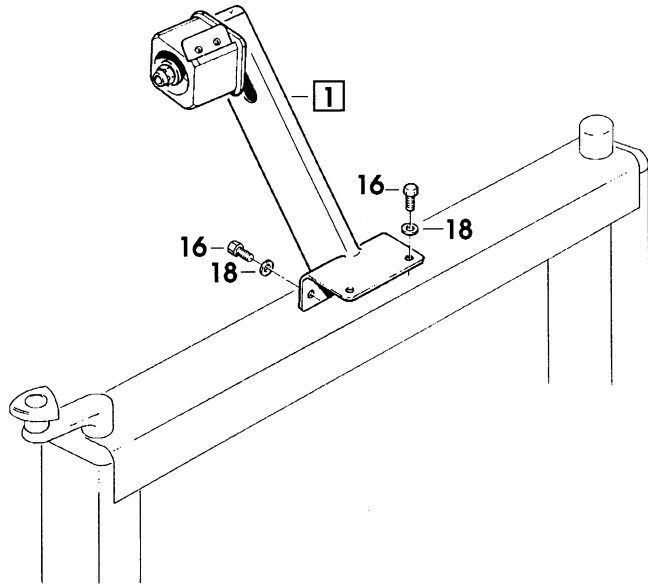
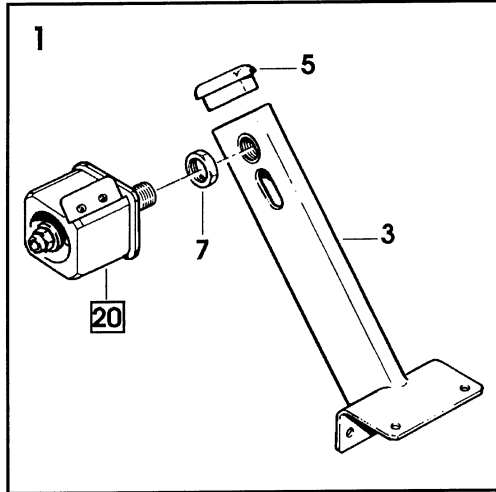


Figure 2799

## Figure 2799

Ref. No.	3M Part No.	Description
2799-1	78-8070-1564-5	Tape Drum Bracket Assembly
2799-2	78-8070-1565-2	Tape Drum Bracket Assembly
2799-3	78-8070-1566-0	Bracket – Tape Drum
2799-4	78-8070-1395-4	Bracket – Bushing Assembly
2799-5	78-8070-1568-6	Cap – Bracket
2799-6	78-8076-4519-3	Shaft – Tape Drum 2 Inch
2799-7	78-8017-9169-6	Nut – M18 x 1
2799-8	78-8070-1569-4	Tape Drum Assembly
2799-9	78-8052-6749-5	Tape Drum Assembly
2799-10	78-8052-6268-6	Leaf Spring
2799-11	26-1002-5753-9	Screw – Self Tapping
2799-12	78-8060-8172-1	Washer – Friction
2799-13	78-8052-6271-0	Washer – Tape Drum
2799-14	78-8100-1048-4	Spring – Core Holder
2799-15	78-8017-9077-1	Nut – Self-Locking, M10 x 1
2799-16	78-8032-0375-7	Screw – Hex Hd M6 x 16
2799-17	78-8070-1215-4	Spacer – Stud
2799-18	26-1000-0010-3	Washer – Flat M6
2799-19	78-8010-7169-3	Screw – Hex Hd M6 x 12, Metric
2799-20	78-8060-8474-1	Tape Drum Assembly – 2 Inch Head
2799-21	26-1004-5510-9	Washer – Plain, M10

# 200a Adjustable Case Sealer

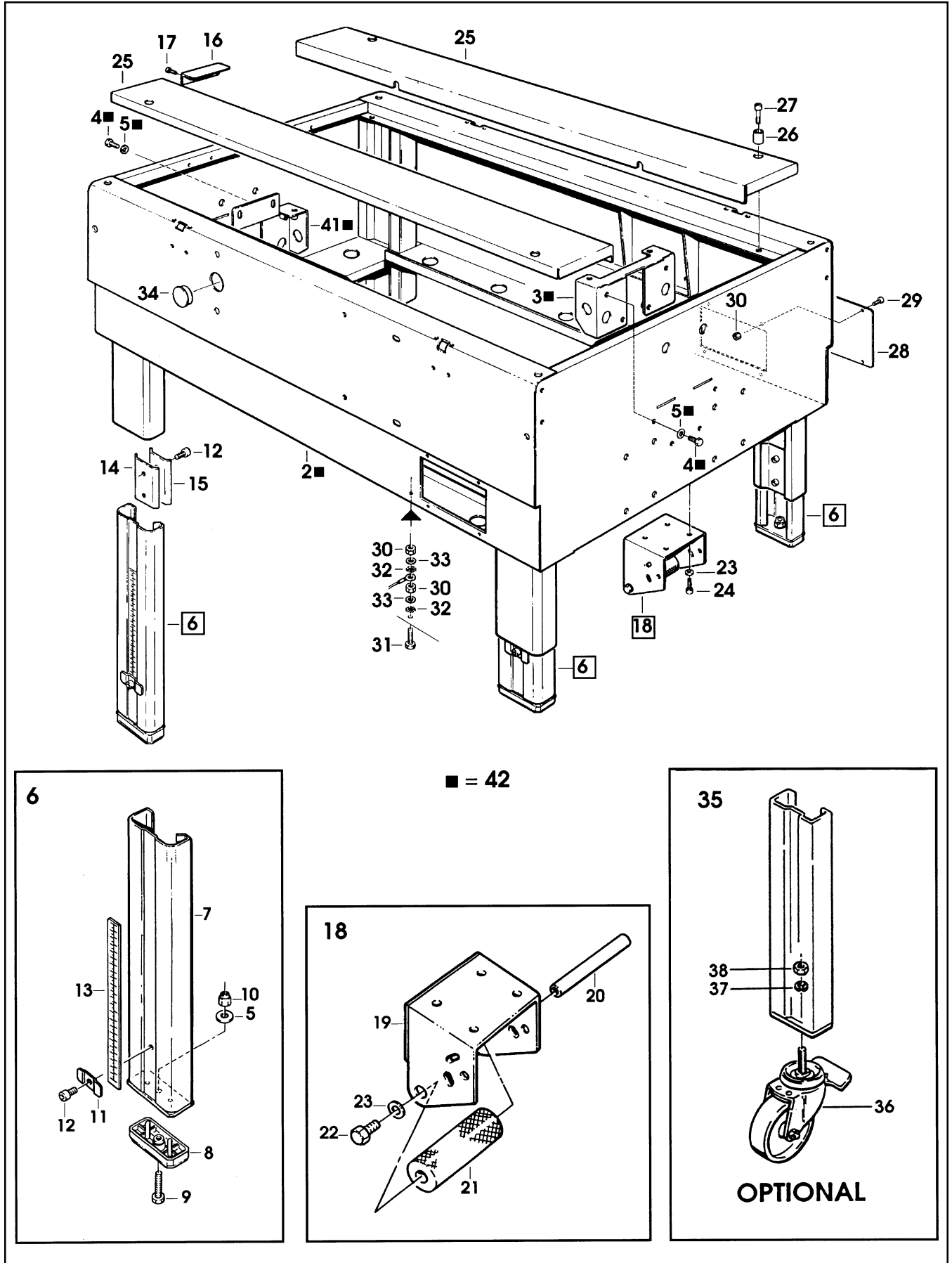


Figure 3430

**Figure 3430**

<b>Ref. No.</b>	<b>3M Part No.</b>	<b>Description</b>
3430-2	78-8091-0306-8	Bed Conveyor
3430-3	78-8091-0307-6	Support – Drive
3430-4	26-1003-5842-8	Screw – Hex Hd, M8 x 20
3430-5	78-8017-9318-9	Washer – Plain, 8 mm
3430-6	78-8076-5381-7	Leg Assembly – Inner W/Stop
3430-7	78-8076-5382-5	Leg – Inner
3430-8	78-8060-8480-8	Pad – Foot
3430-9	78-8055-0867-4	Screw – Hex Hd, M8 x 30
3430-10	78-8017-9313-0	Nut – Self Locking, M8
3430-11	78-8076-5383-3	Stop – Leg
3430-12	26-1003-7963-0	Screw – Soc Hd, M8 x 16
3430-13	78-8060-8481-6	Label – Height
3430-14	78-8052-6677-8	Clamp – Inner
3430-15	78-8052-6676-0	Clamp – Outer
3430-16	78-8060-8482-4	Plate – Protection
3430-17	26-1003-7948-1	Screw – Soc Hd M5 x 10
3430-18	78-8076-5392-4	Support – Tape Drum
3430-19	78-8060-8483-2	Support – Outboard Roll
3430-20	78-8060-8484-0	Shaft – Roller
3430-21	78-8060-8485-7	Roller
3430-22	78-8032-0375-7	Screw – Hex Hd, M6 x 16
3430-23	26-1000-0010-3	Washer – Flat, M6
3430-24	26-1003-7957-2	Screw – Soc Hd, M6 x 16
3430-25	78-8070-1579-3	Plane – Conveyor Bed
3430-26	78-8060-8486-5	Bushing
3430-27	78-8010-7211-3	Screw – Soc Hd M6 x 25
3430-28	78-8060-8487-3	Cover – Switch
3430-29	78-8060-8087-1	Screw – M5 x 10
3430-30	78-8010-7417-6	Nut – Hex, M5
3430-31	78-8060-8488-1	Screw – Hex Hd, M5 x 20
3430-32	78-8046-8217-3	Washer – Special
3430-33	78-8005-5741-1	Washer – Plain, M5
3430-34	78-8076-4701-7	Cap – /28
3430-35	78-8098-9076-3	Caster Assembly
3430-36	26-1009-9096-4	Caster – Dual Locking
3430-37	26-1009-9094-9	Washer – Spring, Helical, M12
3430-38	26-1009-9095-6	Nut – M12
3430-41	78-8094-6013-8	Support – Drive
3430-42	78-8094-6014-6	Bed – Conveyor, W/Support

# 200a Adjustable Case Sealer

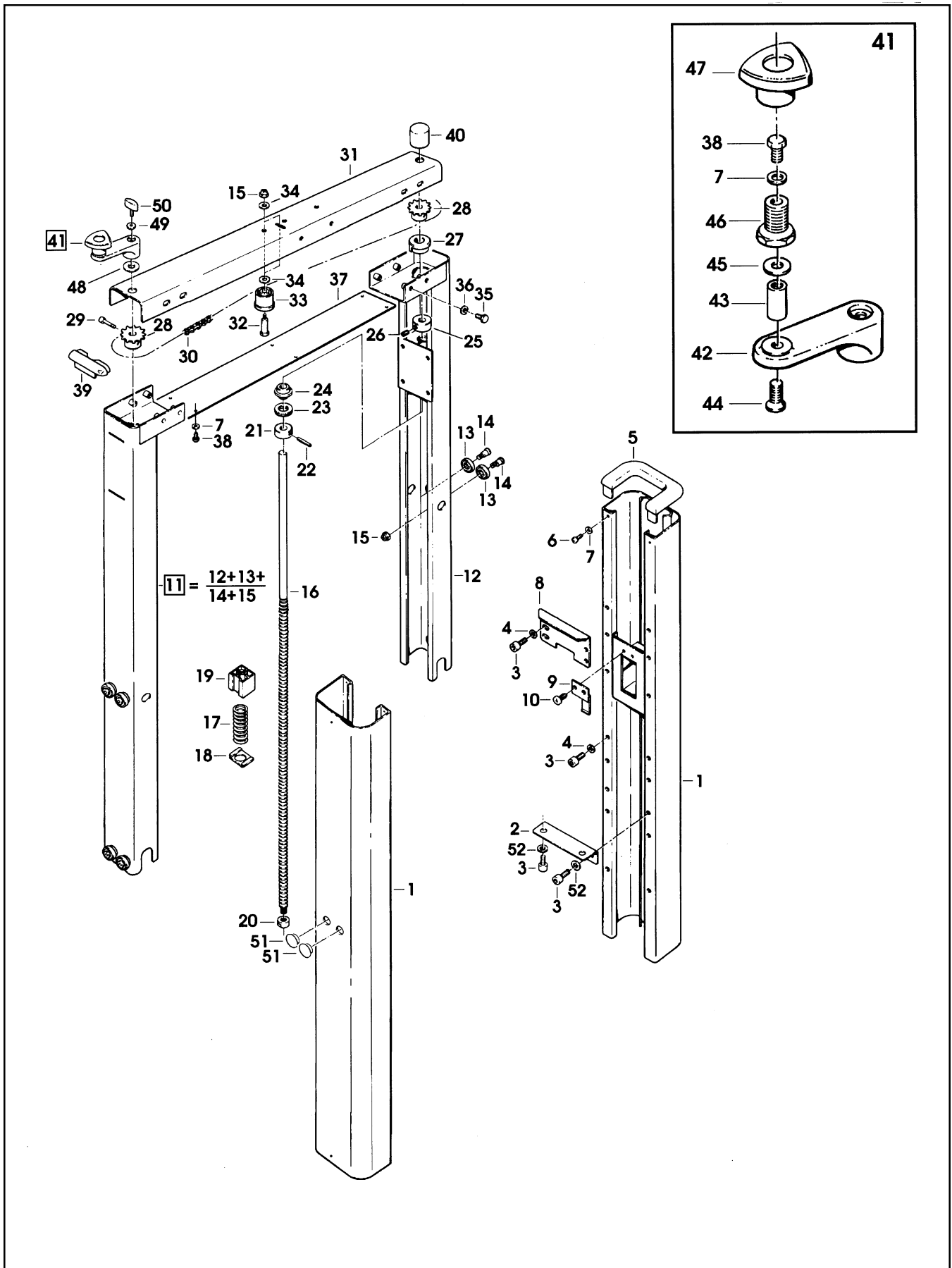


Figure 3431

**Figure 3431**

<b>Ref. No.</b>	<b>3M Part No.</b>	<b>Description</b>
3431-1	78-8060-8489-9	Column – Outer
3431-2	78-8060-8490-7	Plate – Column Mounting
3431-3	26-1003-7964-8	Screw – Soc Hd Hex Soc Dr, M8 x 20
3431-4	78-8017-9318-9	Washer – Plain, 8 mm
3431-5	78-8060-8491-5	Cap – Column
3431-6	26-1002-4955-1	Screw – Self Tap, 8P x 13
3431-7	78-8005-5740-3	Washer – Plain, 4 mm
3431-8	78-8060-8492-3	Stop – Height
3431-9	78-8076-5482-3	Plate – Nut Stop
3431-10	78-8060-8087-1	Screw – M5 x 10
3431-11	78-8060-8494-9	Column Assembly – Inner
3431-12	78-8060-8495-6	Column – Inner
3431-13	78-8054-8617-8	Bearing – Special
3431-14	78-8054-8589-9	Screw – Special
3431-15	26-1003-6916-9	Nut – Locking M6, Plastic Insert
3431-16	78-8060-8496-4	Lead Screw
3431-17	78-8054-8969-3	Spring
3431-18	78-8054-8970-1	Bed Plate – Spring
3431-19	78-8054-8571-7	Nut – Plastic
3431-20	78-8054-8968-5	Nut – Special
3431-21	78-8054-8585-7	Collar
3431-22	78-8054-8586-5	Pin
3431-23	78-8054-8584-0	Spacer
3431-24	78-8054-8583-2	Bushing
3431-25	78-8060-8497-2	Bushing – Lead Screw
3431-26	78-8059-5617-0	Screw – Set, M6 x 8
3431-27	78-8060-8498-0	Bushing – Inner Column
3431-28	78-8060-8499-8	Sprocket – 3/8 inch
3431-29	26-1003-7946-5	Screw – Soc Hd, M4 x 25
3431-30	78-8070-1501-7	Chain – 3/8 inch, 156 Links
3431-31	78-8113-6755-2	Housing – Chain, W/English Language Label
3431-32	78-8060-7878-4	Screw – Idler
3431-33	78-8070-1503-3	Roller – Chain Tensioning
3431-34	78-8042-2919-9	Washer – M6
3431-35	26-1003-5829-5	Screw – Hex Hd, M6 x 12
3431-36	26-1000-0010-3	Washer – Flat, M6
3431-37	78-8070-1504-1	Cover
3431-38	78-8010-7157-8	Screw – Hex Hd, M4 x 10
3431-39	78-8070-1505-8	Cap – Inner Column
3431-40	78-8070-1506-6	Cover – Screw
3431-41	78-8076-4807-2	Crank Assembly
3431-42	78-8076-5422-9	Crank
3431-43	78-8070-1509-0	Shaft – Crank
3431-44	26-1005-5316-8	Screw – Flat Hd, Hex Dr, M5 x 16
3431-45	78-8070-1510-8	Washer – Nylon, 7 x 15 x 1
3431-46	78-8070-1511-6	Bushing
3431-47	78-8070-1512-4	Knob – VTR-B-M12
3431-48	78-8076-4800-7	Washer – Crank
3431-49	78-8076-4809-8	Washer – Crank
3431-50	78-8076-4821-3	Key – Stop
3431-51	78-8054-8821-6	Cap – End
3431-52	26-1004-5507-5	Washer – M8

# 200a Adjustable Case Sealer

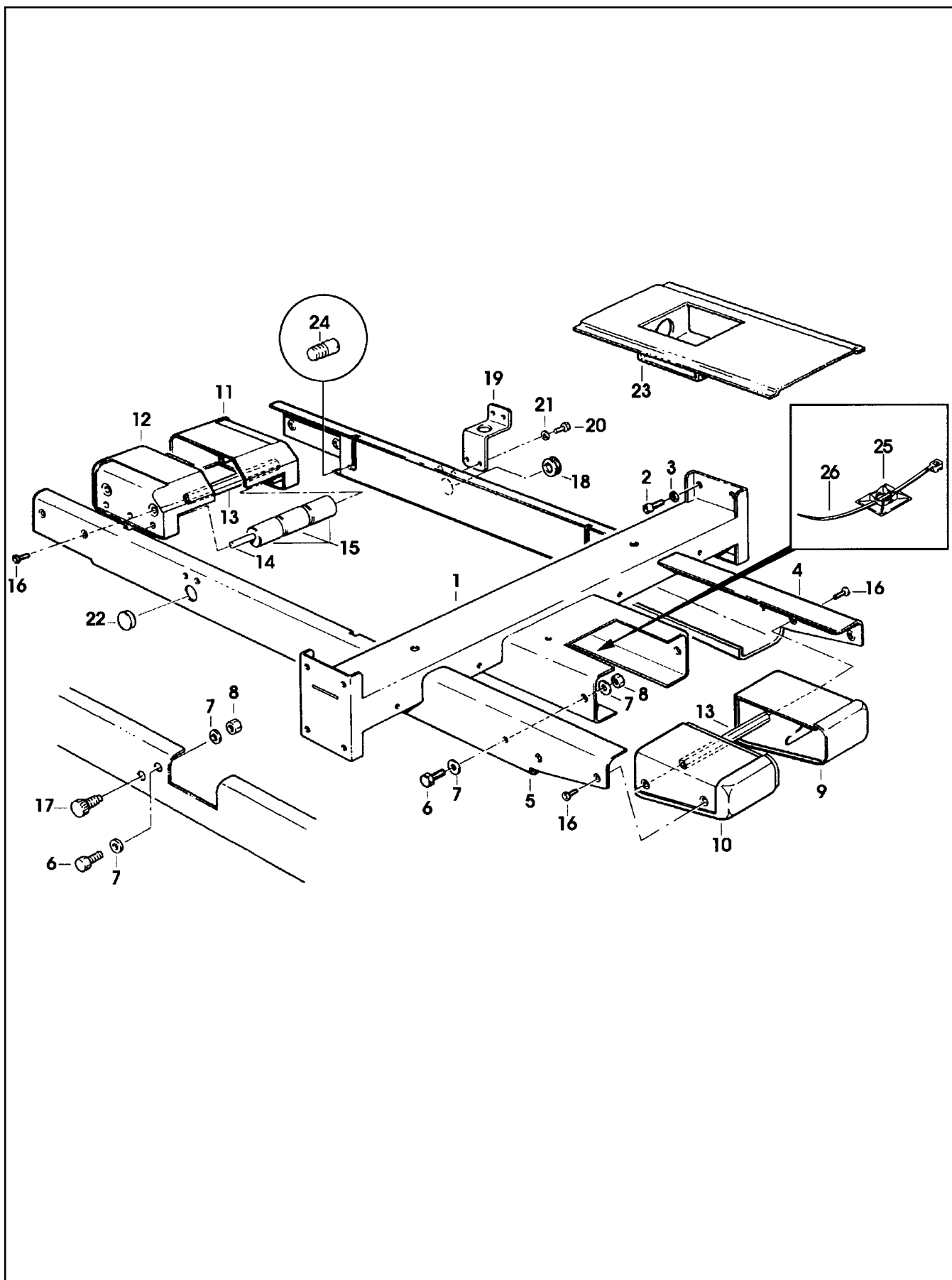


Figure 5592



## Figure 5592

Ref. No.	3M Part No.	Description
5592-1	78-8091-0508-9	Bar – Supporting
5592-2	26-1003-7957-2	Screw – Soc Hd Hex Hd, M6 x 16
5592-3	78-8100-1042-7	Washer – /15 x 6.35 x 2
5592-4	78-8113-6756-0	Side Plate – Right, W/English Language Label
5592-5	78-8113-6757-8	Side Plate – Left, W/English Language Label
5592-6	26-1003-5842-8	Screw – Hex Hd, M8 x 20
5592-7	78-8017-9318-9	Washer – Plain, 8 mm
5592-8	26-1000-1347-8	Nut – Hex, M8
5592-9	78-8070-1574-4	Slide – Front, Right
5592-10	78-8070-1575-1	Slide – Front, Left
5592-11	78-8070-1576-9	Slide – Rear, Right
5592-12	78-8070-1577-7	Slide – Rear, Left
5592-13	78-8070-1553-8	Spacer
5592-14	78-8070-1554-6	Stud
5592-15	78-8060-7693-7	Roller – 32 x 38
5592-16	26-1005-5316-8	Screw – Flat Hd Hex Dr, M5 x 16
5592-17	78-8070-1555-3	Block – Upper Head
5592-18	78-8060-7758-8	Fairlead – /20
5592-19	78-8054-8955-2	Clamp – Bracket
5592-20	26-1003-5820-4	Screw – Hex Hd, M5 x 12
5592-21	78-8005-5741-1	Washer – Flat, M5
5592-22	78-8076-4517-7	End Cap – /22 x 1
5592-23	78-8113-6758-6	Cover – Upper, W/English Language Labels
5592-24	78-8076-4500-3	Stud – Mounting
5592-25	78-8070-1318-6	Label – Box Centering
5592-26	78-8100-1234-0	Bezel

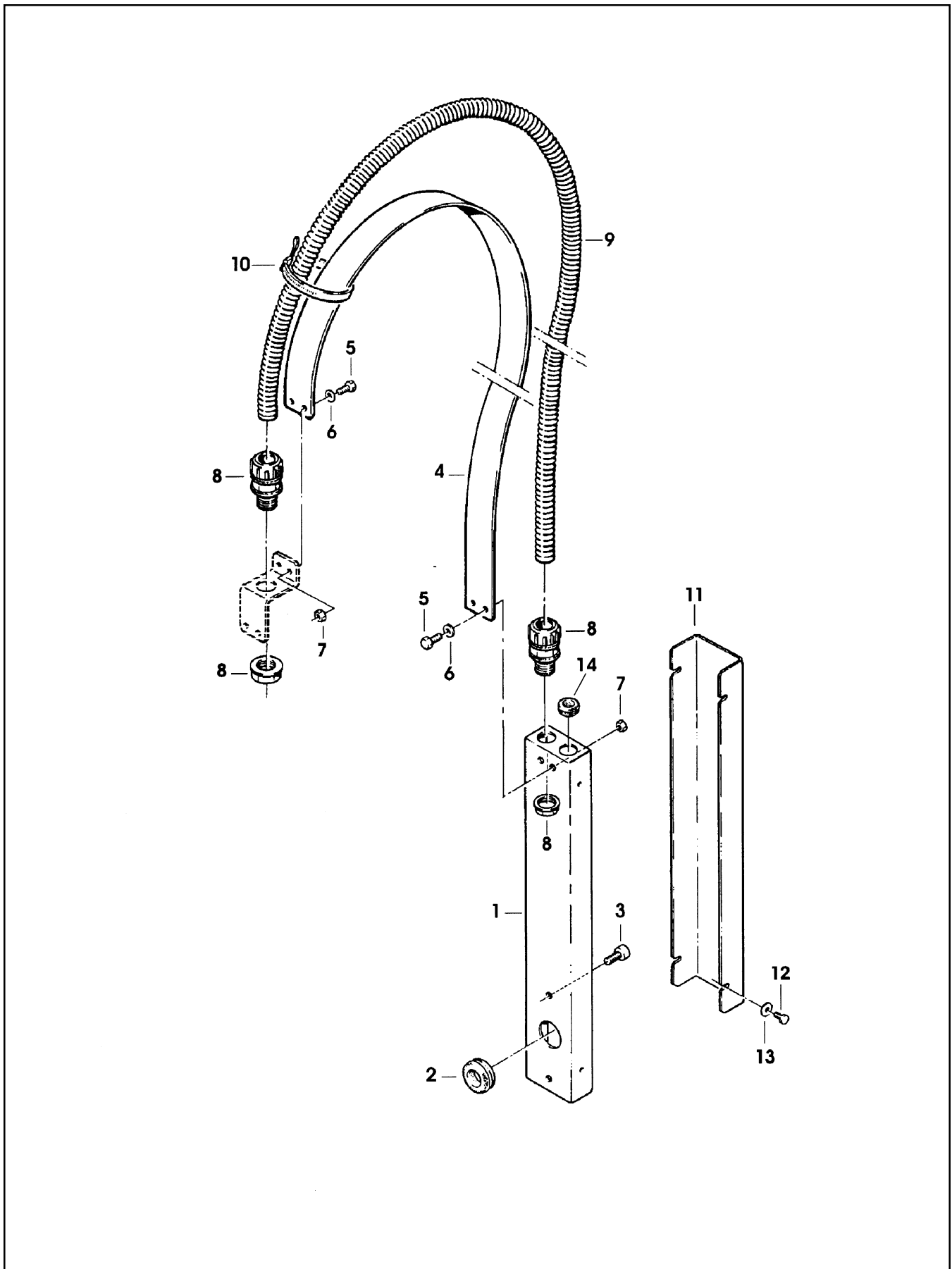


Figure 5593

## Figure 5593

Ref. No.	3M Part No.	Description
5593-1	78-8091-0660-8	Housing – Wire
5593-2	78-8076-4702-5	Grommet – /28
5593-3	26-1003-7963-0	Screw – Soc Hd, M8 x 16
5593-4	78-8076-4636-5	Strap – Wire
5593-5	78-8010-7163-6	Screw - Hex Hd, M5 x10
5593-6	78-8005-5741-1	Washer – Flat, M5
5593-7	78-8010-7417-6	Nut – Hex, M5
5593-8	78-8060-7631-7	Connector – 3/8 Inch
5593-9	78-8060-8028-5	Sleeving – /12, 0,93 M.
5593-10	78-8060-8029-3	Clamp – 140 x 3, 5
5593-11	78-8076-4641-5	Cover
5593-12	78-8010-7157-8	Screw – Hex Hd, M4 x 10
5594-13	78-8017-9018-5	Washer – Plain, M4 SPEC.
5594-14	78-8060-7758-8	Fairlead – /20

# 200a Adjustable Case Sealer

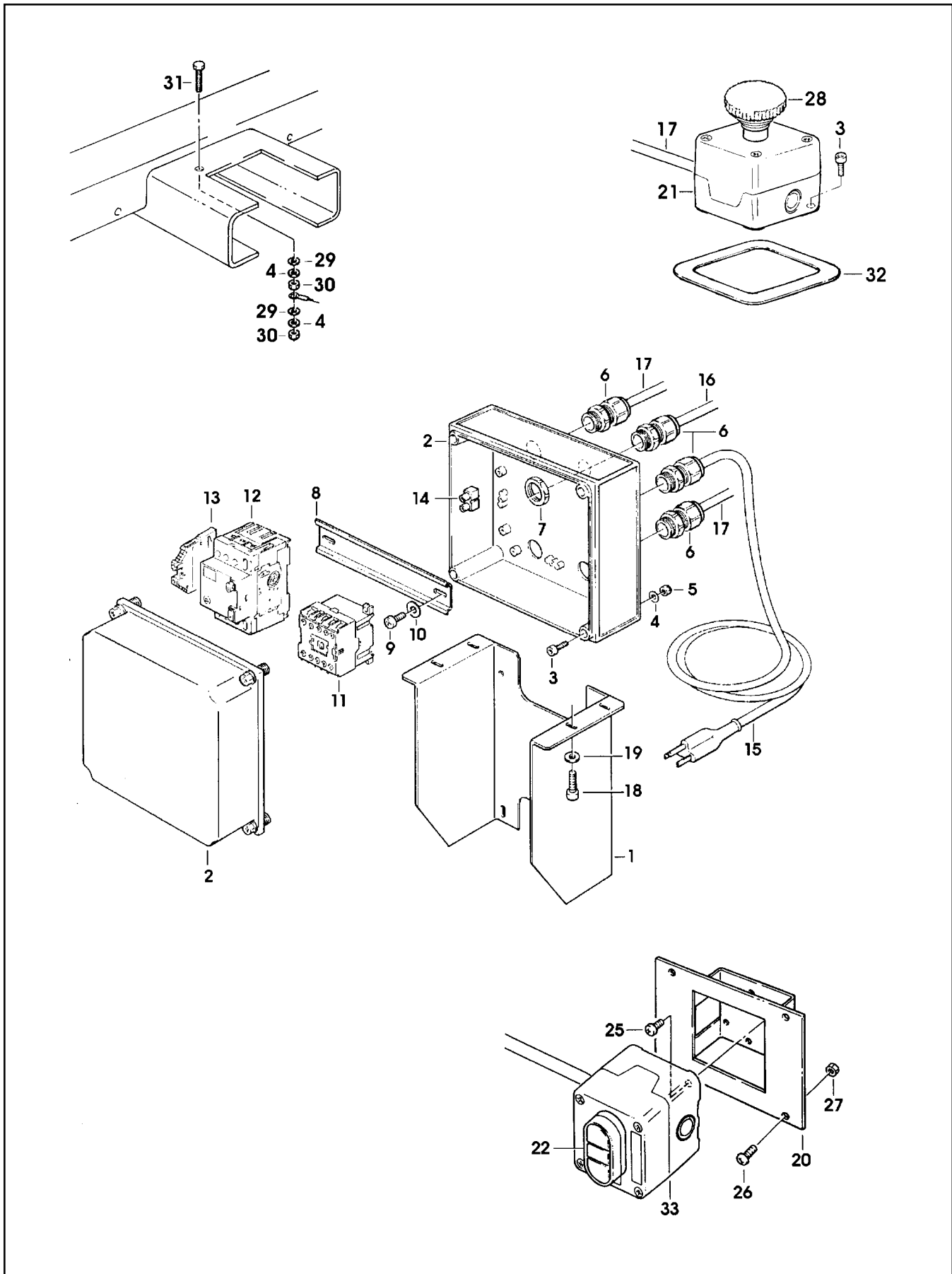
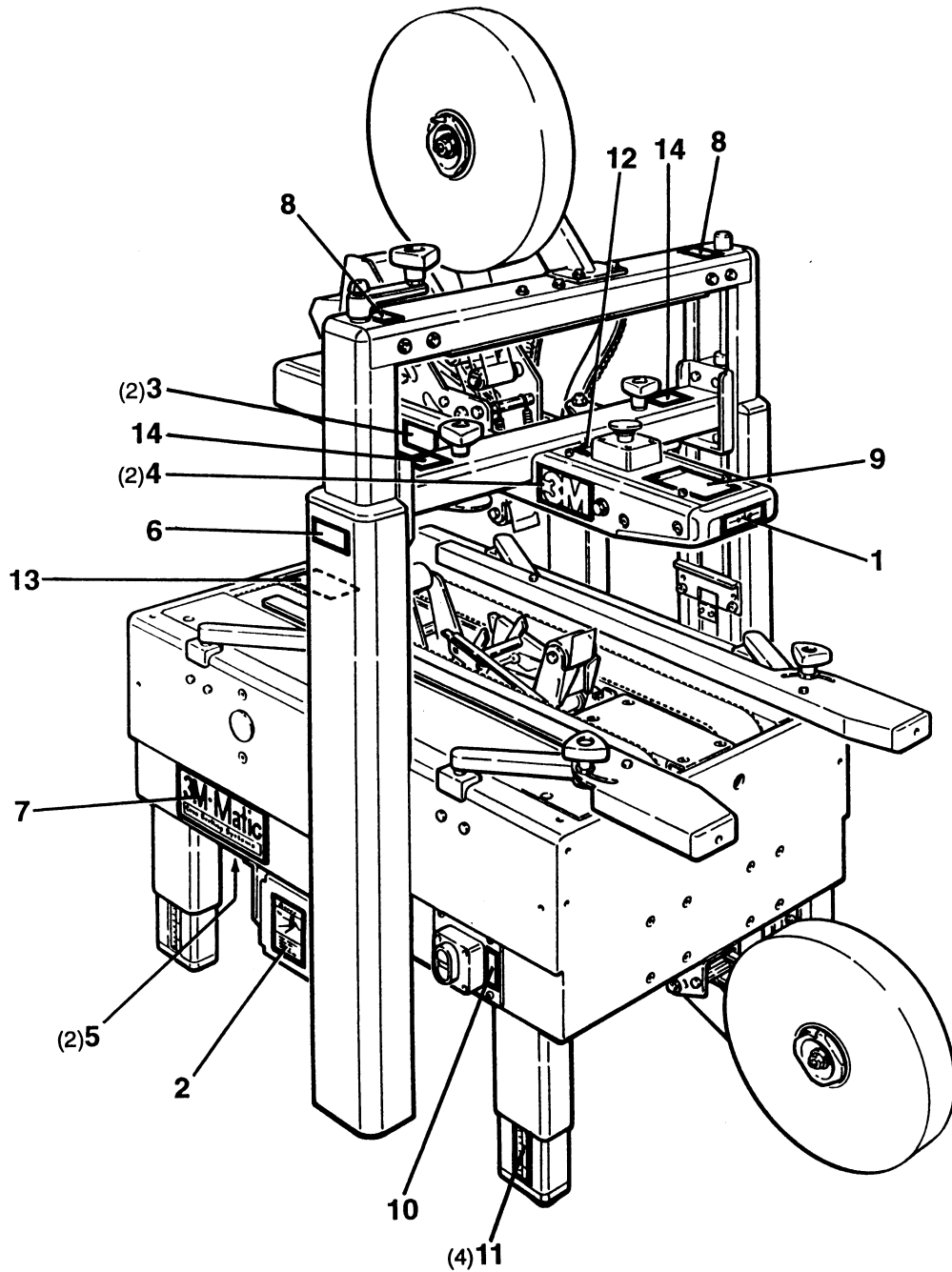


Figure 5594

**Figure 5594**

<b>Ref. No.</b>	<b>3M Part No.</b>	<b>Description</b>
5594-1	78-8094-6379-3	Support – Box
5594-2	78-8113-6759-4	Enclosure – W/English Language Label
5594-3	78-8094-6381-9	Screw – Soc Hd, M4 x 15
5594-4	78-8005-5740-3	Washer – Plain, 4 mm
5594-5	26-1003-6914-4	Nut – Plastic Insert, M4
5594-6	78-8076-4715-7	Cord Grip
5594-7	78-8076-5211-6	Set Nut – GMP13.5
5594-8	78-8094-6382-7	Guide – Mounting
5594-9	78-8028-8208-0	Screw – 6P X 9,5
5594-10	78-8017-9018-5	Washer – Plain, M4, SPEC
5594-11	78-8094-6383-5	Contactora – Sprecher and Shuh CA4-5-10, 110V, 60Hz
5594-12	78-8076-5378-3	Circuit Breaker – KTA-3-25
5594-13	78-8094-6384-3	Ground Clamp – VGPE 4/6
5594-14	78-8076-4882-5	Terminal Board
5594-15	78-8028-7909-4	Power Cord W/Plug
5594-16	78-8100-1038-5	Cable – 4 x 20 AWG, MT .5
5594-17	78-8060-8053-3	Wire – 3-Pole, 5 Meters Length
5594-18	26-1003-7957-2	Screw – Soc Hd Hex, M6 x 16
5594-19	26-1000-0010-3	Washer – Flat, M6
5594-20	78-8113-6887-3	Support – On/Off Switch, W/English Language Label
5594-21	78-8076-5194-4	Box – E-Stop, Yellow, Allen Bradley 800E-1PY
5594-22	78-8094-6386-8	Switch – On/Off
5594-25	78-8017-9257-9	Screw – M4 x 10
5594-26	78-8060-8087-1	Screw – M5 x 10
5594-27	78-8010-7417-6	Nut – Hex, M5
5594-28	26-1014-5845-8	E-Stop – Allen Bradley MTS-44-3LX01
5594-29	78-8076-4716-5	Star Washer – M4
5594-30	78-8010-7416-8	Nut – Hex, M4
5594-31	78-8091-0538-6	Screw – Hex Hd, M4 x 20
5594-32	78-8100-1234-0	Collar
5594-33	78-8114-4896-4	Box – On/Off, Grey

# 200a Adjustable Case Sealer



## Safety and Information Labels

A label kit, part number 78-8113-6714-9, is available as a stock item. It contains all the safety and information labels used on the case sealer, or labels can be ordered separately from the following list.

<b>Ref. No.</b>	<b>3M Part No.</b>	<b>Description</b>	<b>Qty.</b>
1	78-8070-1318-6	Label – Box Centering	1
2	78-8070-1329-3	Label – Warning, Hazardous Voltage	1
3	78-8070-1336-8	Label – Warning, Sharp Knife	2
4	78-8070-1339-2	Information – 3M Logo	2
5	78-8069-3852-6	Label – Ground	2
6	78-8068-3859-1	Label – Service and Spares	1
7	78-8062-4266-1	Label – Product	1
8	78-8070-1628-8	Label – Up and Down/Lock	2
9	78-8070-1366-5	Label – Safety Instructions	1
10	78-8113-6775-0	Label, Electrical, On/Off	1
11	78-8060-8481-6	Label – Leg	4
12	78-8095-1141-9	Label – Stop	1
13	78-8113-6717-2	Label – Caution, Pinch Point	1
14	78-8113-6912-9	Label – Caution, Pinch Point	2