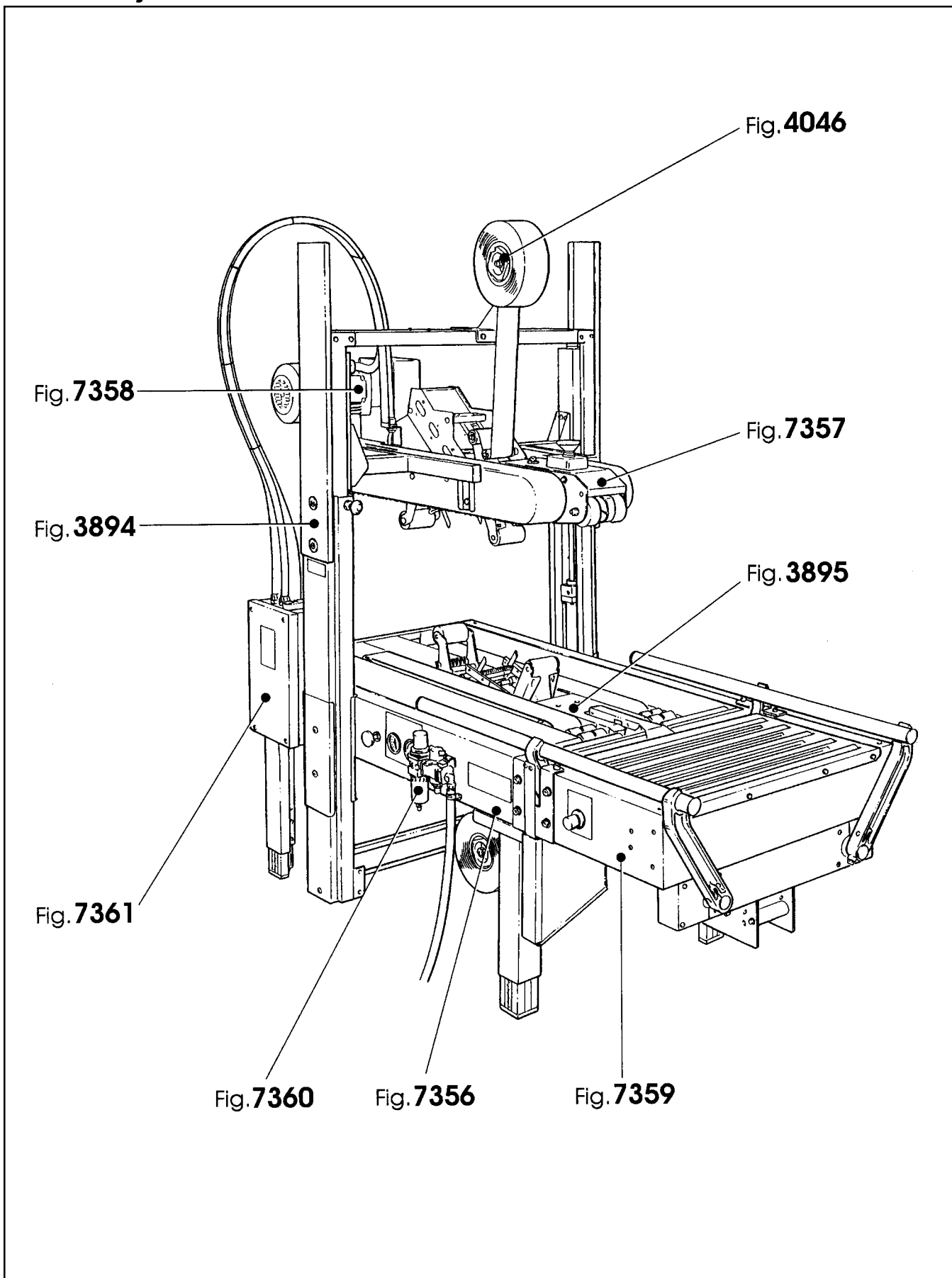


700rks Adjustable Case Sealer



Frame Assemblies

700rks Adjustable Case Sealer

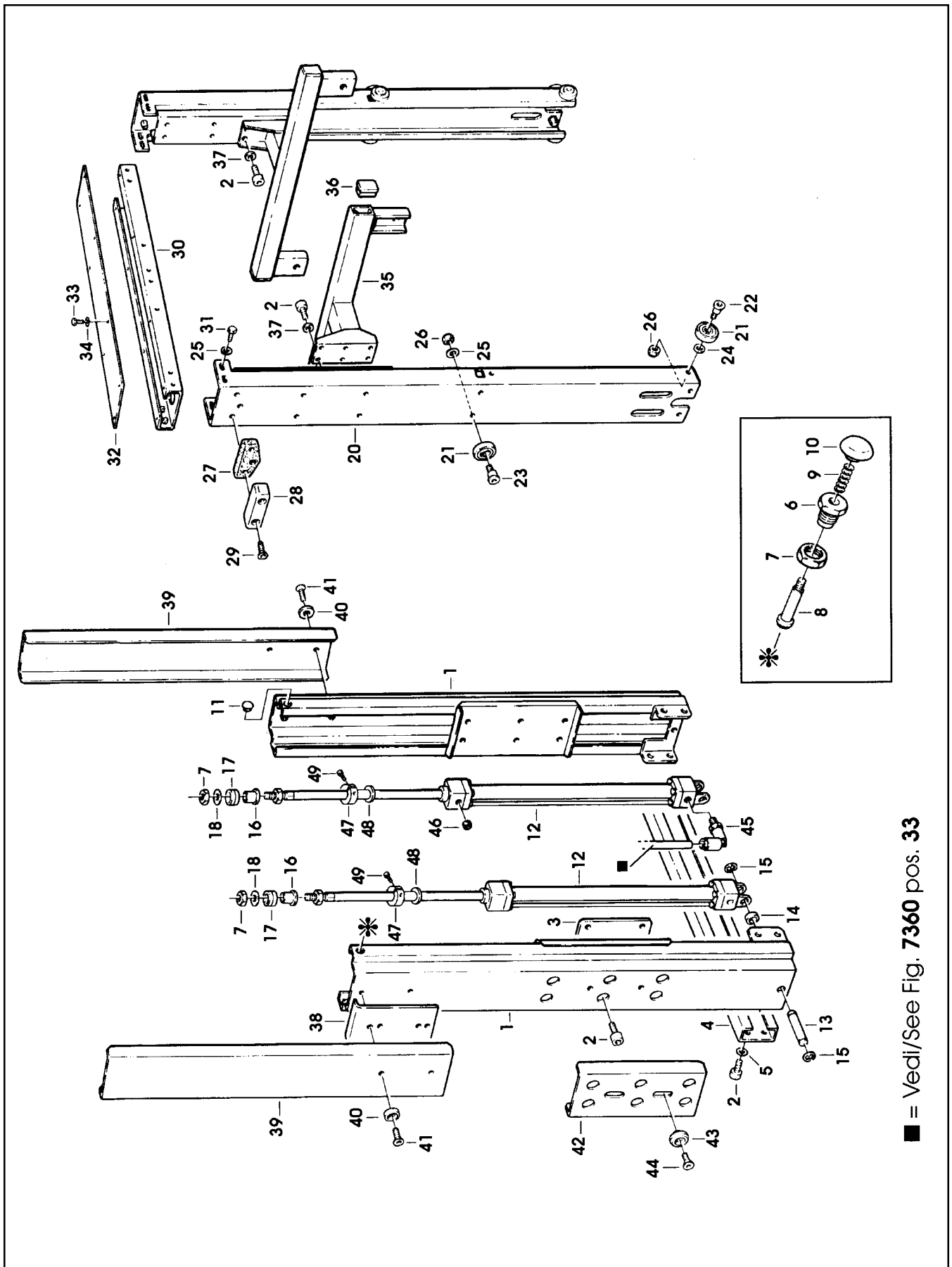


Figure 3894

Figure 3894

Ref. No.	3M Part No.	Description
3894-1	78-8091-0614-5	Column – Outer
3894-2	26-1003-7964-8	Screw – Soc Hd Soc Dr, M8 x 20
3894-3	78-8076-5474-0	Plate Assembly – Column Mount
3894-4	78-8091-0571-7	Crossbar – Lower
3894-5	78-8017-9318-9	Washer – Plain 8 mm
3894-6	78-8091-0615-2	Bushing – Stop
3894-7	78-8017-9169-6	Nut – M18 x 1
3894-8	78-8076-4544-1	Stud – Height Stop
3894-9	78-8076-4545-8	Spring
3894-10	78-8100-0954-4	Knob
3894-11	78-8076-4547-4	Cap
3894-12	78-8055-0711-4	Cylinder – Air, 32 X550L MM
3894-13	78-8054-8966-9	Pin – Air Cylinder Clevis
3894-14	78-8054-8828-1	Spacer – 10,5/16X14, 5mm
3894-15	78-8060-8035-0	E-Ring – 7DIN6799
3894-16	78-8054-8824-0	Rod – End
3894-17	78-8054-8823-2	Washer – Bumper
3894-18	78-8054-8822-4	Washer – 18,2/35X2
3894-20	78-8091-0573-3	Column – Inner
3894-21	78-8054-8617-8	Bearing – Special
3894-22	78-8017-9106-8	Screw – Bearing Shoulder
3894-23	78-8054-8589-9	Screw – Special
3894-24	78-8054-8576-6	Spacer
3894-25	26-1000-0010-3	Washer – Flat M6
3894-26	26-1003-6916-9	Nut – Locking Plastic Insert, M6
3894-27	78-8060-7916-2	Bumper
3894-28	78-8091-0617-8	Plate – Support, Bumper
3894-29	78-8060-7918-8	Screw – Flat Soc Hd, M6 x 25
3894-30	78-8091-0618-6	Crossbar – Column
3894-31	78-8032-0375-7	Screw – Hex Hd, M6 x 16
3894-32	78-8091-0619-4	Cover – Crossbar
3894-33	78-8010-7157-8	Screw – Hex Hd, M4 x 10
3894-34	78-8005-5740-3	Washer – Plain 4 mm
3894-35	78-8091-0620-2	Support – Upper Assembly
3894-36	78-8054-8593-1	End – Cap
3894-37	78-8005-5736-1	Lockwasher – For M8 Screw
3894-38	78-8091-0621-0	Plate – Outer Column
3894-39	78-8122-6540-9	Guard – Column, W/English Language Labels
3894-40	78-8054-8577-4	Washer – Special
3894-41	78-8060-8179-6	Screw – Flat Hd Hex, M6 x 20
3894-42	78-8091-0580-8	Plate – Protection
3894-43	78-8091-0581-6	Stop – Protection
3894-44	78-8057-5726-3	Screw – F.H. Soc Hd, M6 x 15
3894-45	78-8091-0313-4	Elbow – 3199.08.10
3894-46	78-8094-6457-7	Cap – 1/8 Inch
3894-47	78-8114-5061-4	Collar – Height Locking
3894-48	78-8100-1154-0	Washer – /30-15-05
3894-49	78-8059-5526-3	Screw – Soc Hd Hex Soc Dr, M6 x 15
3894	78-8060-8175-4	Seal Kit – Cylinder (For Item 3894-12)

700rks Adjustable Case Sealer

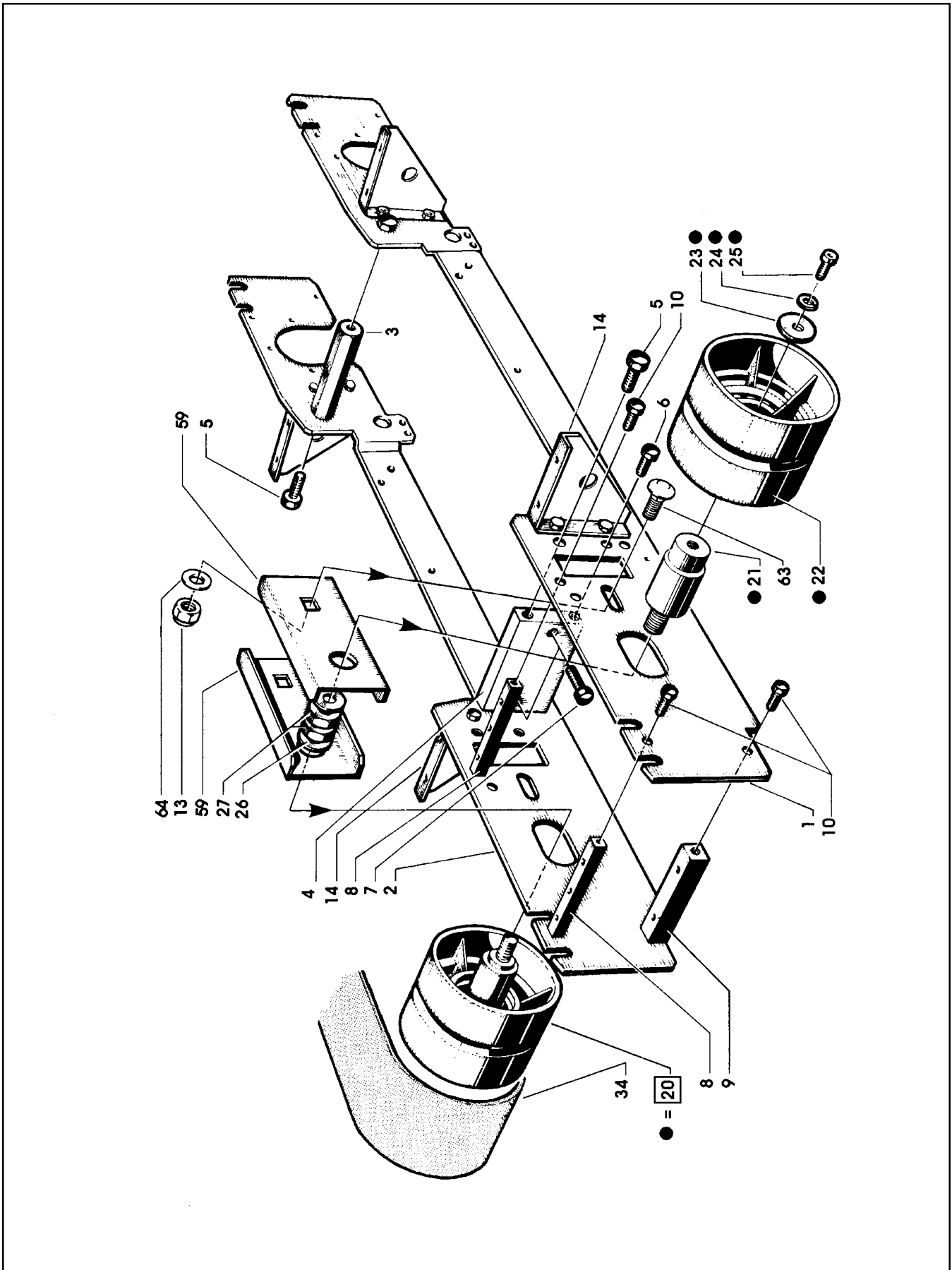
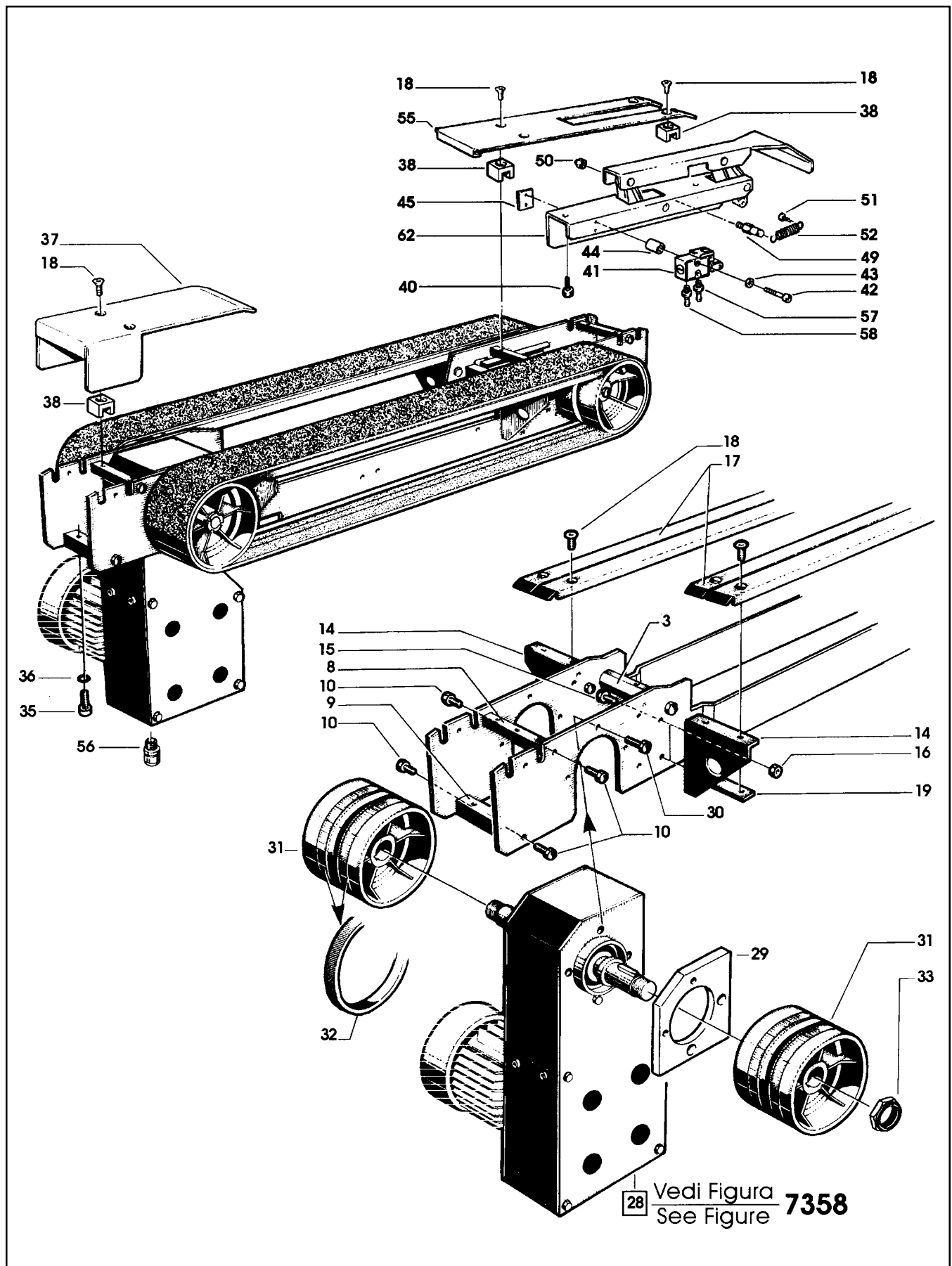


Figure 3895/1 of 2

Figure 3895 (Page 1 of 2)

Ref. No.	3M Part No.	Description
3895-1	78-8052-6708-1	Side Plate
3895-2	78-8054-8649-1	Lower Main Plate Left
3895-3	78-8055-0695-9	Spacer – Hexagonal
3895-4	78-8055-0697-5	Block – Spacer
3895-5	26-1003-5849-3	Screw – Hex Hd, M10 x 16
3895-6	78-8032-0375-7	Screw – Hex Hd, M6 x 16
3895-7	26-1003-5845-1	Screw – Hex Hd, M8 x 40
3895-8	78-8055-0694-2	Spacer – 10 x 10 x 115 mm
3895-9	78-8055-0703-1	Spacer – 15 x 15 x 115 mm
3895-10	78-8010-7169-3	Screw – Hex Hd, M6 x 12
3895-13	26-1003-6918-5	Nut – Plastic Insert, Hex M10
3895-14	78-8052-6706-5	Bracket
3895-15	26-1003-5820-4	Screw – Hex Hd, M5 x 12
3895-16	78-8010-7417-6	Nut – Hex, M5
3895-17	78-8052-6714-9	Guide – Drive Belt
3895-18	26-1005-5316-8	Screw – Flat Hd Hex Dr, M5 x 16
3895-19	78-8052-6715-6	Bracket
3895-20	78-8060-8151-5	Idler Roller Assembly
3895-21	78-8052-6711-5	Shaft – Roller
3895-22	78-8052-6710-7	Roller – Idler
3895-23	78-8052-6709-9	Washer – Special
3895-24	78-8010-7435-8	Washer – Lock M6
3895-25	26-1003-7957-2	Screw – Soc Hd Hex Hd, M6 x 16
3895-26	26-1004-5511-7	Washer
3895-27	26-1003-6906-0	Nut – M12
3895-28	78-8114-5043-2	Gearbox – Lower
3895-29	78-8055-0705-6	Spacer – Gearbox
3895-30	26-1003-5824-6	Screw – Hex Hd, M5 x 30
3895-31	78-8076-5105-0	Pulley Assembly – Drive
3895-32	78-8052-6713-1	Ring – Polyurethane

700rks Adjustable Case Sealer



28 Vedi Figura 7358
See Figure

Figure 3895/2 of 2

Figure 3895 (Page 2 of 2)

Ref. No.	3M Part No.	Description
3895-33	78-8060-8416-2	Nut – Special, M20 x 1
3895-34	78-8052-6722-2	Belt – Box Drive
3895-35	78-8010-7209-7	Screw – Soc Hd, M6 x 12
3895-36	26-1000-0010-3	Washer – Flat M6
3895-37	78-8122-6532-6	Cover – Rear, W/English Language Labels
3895-38	78-8091-0655-8	Spacer – Cover
3895-40	26-1002-5817-2	Screw – Hex Hd, M5 x 8
3895-41	26-1005-6358-9	Valve – 3-Way, 2-Position
3895-42	26-1003-7947-3	Screw – Soc Hd Hex Soc, M4 x 35
3895-43	78-8005-5740-3	Washer – Plain 4 mm
3895-44	78-8054-8758-0	Spacer – Valve Holder
3895-45	78-8059-5607-1	Plate – Threaded
3895-49	78-8054-8757-2	Pin – Spring Holder
3895-50	26-1005-6859-6	Nut – Self-Locking M5
3895-51	26-1002-4955-1	Screw – Self-Tapping, 8PX13
3895-52	78-8076-4774-4	Spring
3895-55	78-8091-0627-7	Cover – Front
3895-56	78-8057-5807-1	Cord Grip
3895-57	26-1005-6359-7	Fitting – Barb N-M5-PK3
3895-58	26-1005-6880-2	Fitting – Barb N-M5-PK4
3895-59	78-8114-4911-1	Belt Tensioning
3895-62	78-8114-5062-2	Actuator
3895-63	78-8114-5044-0	Screw – Special, M10 x 25
3895-64	26-1004-5510-9	Washer – Plain, M10

700rks Adjustable Case Sealer

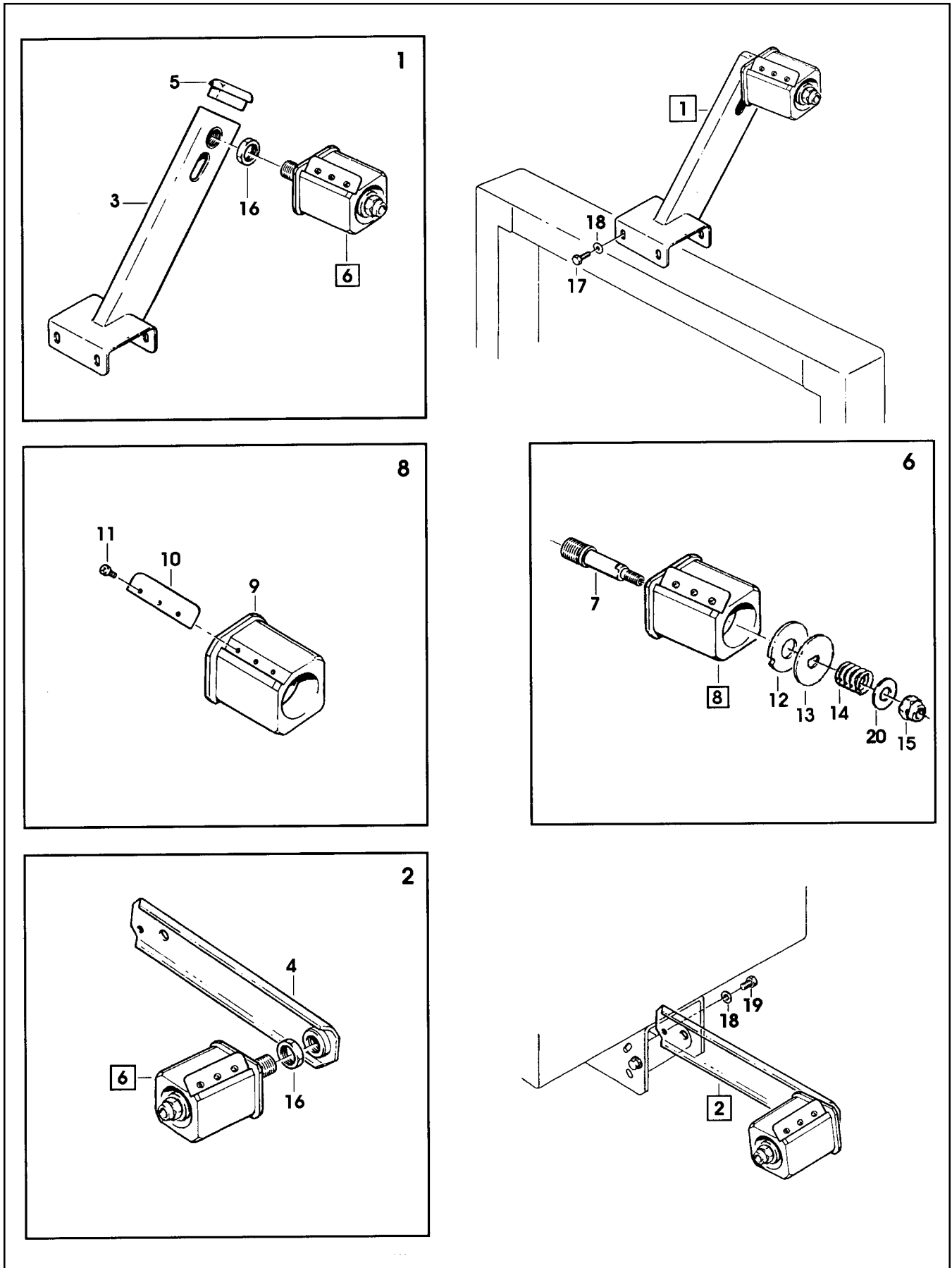


Figure 4046

Figure 4046

Ref. No.	3M Part No.	Description
4046-1	78-8091-0604-6	Bracket Assembly – Core Holder
4046-2	78-8076-4935-1	Tape Drum Bracket Assembly
4046-3	78-8091-0605-3	Bracket – Core Holder
4046-4	78-8070-1395-4	Bracket – Bushing Assembly
4046-5	78-8070-1568-6	Cap – Bracket
4046-6	78-8076-4732-2	Tape Drum Assembly - W/O Bracket/Lock/Plate
4046-7	78-8060-8462-6	Shaft – Tape Drum, 3 Inch Head
4046-8	78-8076-4731-4	Tape Drum Assembly – 3 Inch Wide
4046-9	78-8054-8815-8	Tape Drum Assembly
4046-10	78-8054-8816-6	Leaf Spring
4046-11	26-1002-5753-9	Screw – Self-Tapping
4046-12	78-8060-8172-1	Washer – Friction
4046-13	78-8052-6271-0	Washer – Tape Drum
4046-14	78-8100-1048-4	Spring – Core Holder
4046-15	78-8017-9077-1	Nut – Self-Locking, M10 x 1
4046-16	78-8017-9169-6	Nut – M18 x 1
4046-17	78-8032-0375-7	Screw – Hex Hd, M6 x 16
4046-18	26-1000-0010-3	Washer – Flat, M6
4046-19	78-8010-7169-3	Screw – Hex Hd, M6 x 12
4046-20	26-1004-5510-9	Washer – Plain, M10

700rks Adjustable Case Sealer

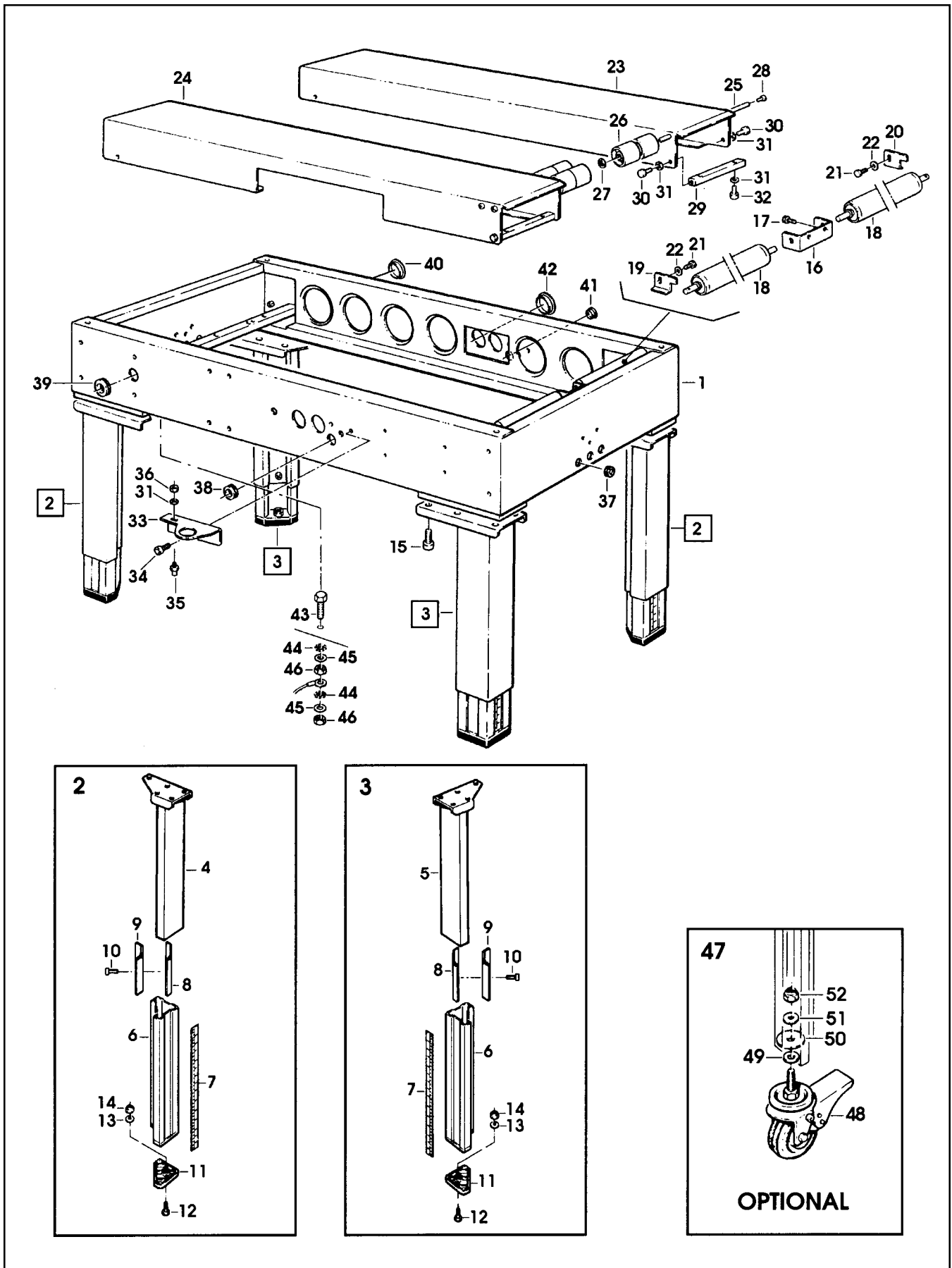


Figure 7356

Figure 7356

Ref. No.	3M Part No.	Description
7356-1	78-8114-5063-0	Conveyor Bed Assembly
7356-2	78-8091-0557-6	Leg Assembly – R/H
7356-3	78-8091-0558-4	Leg Assembly – L/H
7356-4	78-8076-5040-9	Leg – Right
7356-5	78-8076-5041-7	Leg – Left
7356-6	78-8052-6678-6	Leg – Inner
7356-7	78-8052-6680-2	Label – Height
7356-8	78-8052-6677-8	Clamp – Inner
7356-9	78-8052-6676-0	Clamp – Outer
7356-10	26-1003-7963-0	Screw – Soc Hd, M8 x 16
7356-11	78-8052-6679-4	Pad – Foot
7356-12	26-1003-5842-8	Screw – Hex Hd, M8 x 20
7356-13	26-1004-5507-5	Washer – M8
7356-14	78-8017-9313-0	Nut – Self-Locking M8
7356-15	26-1003-7964-8	Screw – Soc Hd Soc Dr, M8 x 20
7356-16	78-8091-0610-3	Support – Roller
7356-17	26-1003-5820-4	Screw – Hex Hd, M5 x 12
7356-18	78-8091-0611-1	Roller – Conveyor
7356-19	78-8091-0560-0	Plate – Roller
7356-20	78-8076-4647-2	Plate – Infeed
7356-21	78-8010-7157-8	Screw – Hex Hd, M4 x 10
7356-22	78-8005-5740-3	Washer – Plain, 4mm
7356-23	78-8114-5041-6	Conveyor Bed – R/H
7356-24	78-8114-5042-4	Conveyor Bed – L/H
7356-25	78-8091-0563-4	Shaft
7356-26	78-8060-7693-7	Roller – 32 x 38
7356-27	78-8052-6732-1	Ring – Special M8
7356-28	78-8017-9066-4	Screw – M5 x 12
7356-29	78-8091-0564-2	Spacer
7356-30	26-1003-5829-5	Screw – Hex Hd, M6 x 12
7356-31	26-1000-0010-3	Washer – Flat M6
7356-32	26-1003-7957-2	Screw – Soc Hd Hex Hd, M6 x 16
7356-33	78-8091-0717-6	Support – R/H Filter Assembly
7356-34	78-8010-7209-7	Screw – Soc Hd, M6 x 12
7356-35	78-8091-0613-7	Shaft – Valve
7356-36	78-8010-7418-4	Nut – Hex, M6
7356-37	78-8052-6659-6	Grommet
7356-38	78-8060-7785-1	Grommet – EZ DG16
7356-39	78-8076-4702-5	Grommet – Heyco SB1093-13
7356-40	78-8076-4701-7	Cap – /28
7356-41	78-8060-7885-9	End Cap
7356-42	78-8114-5064-8	Cap
7356-43	78-8060-8488-1	Screw – Hex Hd, M5 x 20
7356-44	78-8046-8217-3	Washer – Special
7356-45	78-8005-5741-1	Washer – Flat, M5
7356-46	78-8010-7417-6	Nut – Hex, M5
7356-47	78-8060-8060-8	Caster Assembly
7356-48	78-8060-8061-6	Caster
7356-49	78-8060-8124-2	Spacer – Caster
7356-50	78-8060-7699-4	Washer – /12-45, 5X4
7356-51	78-8017-9059-9	Washer – Flat For M12 Screw
7356-52	78-8060-7532-7	Nut – M12, Self-Locking

700rks Adjustable Case Sealer

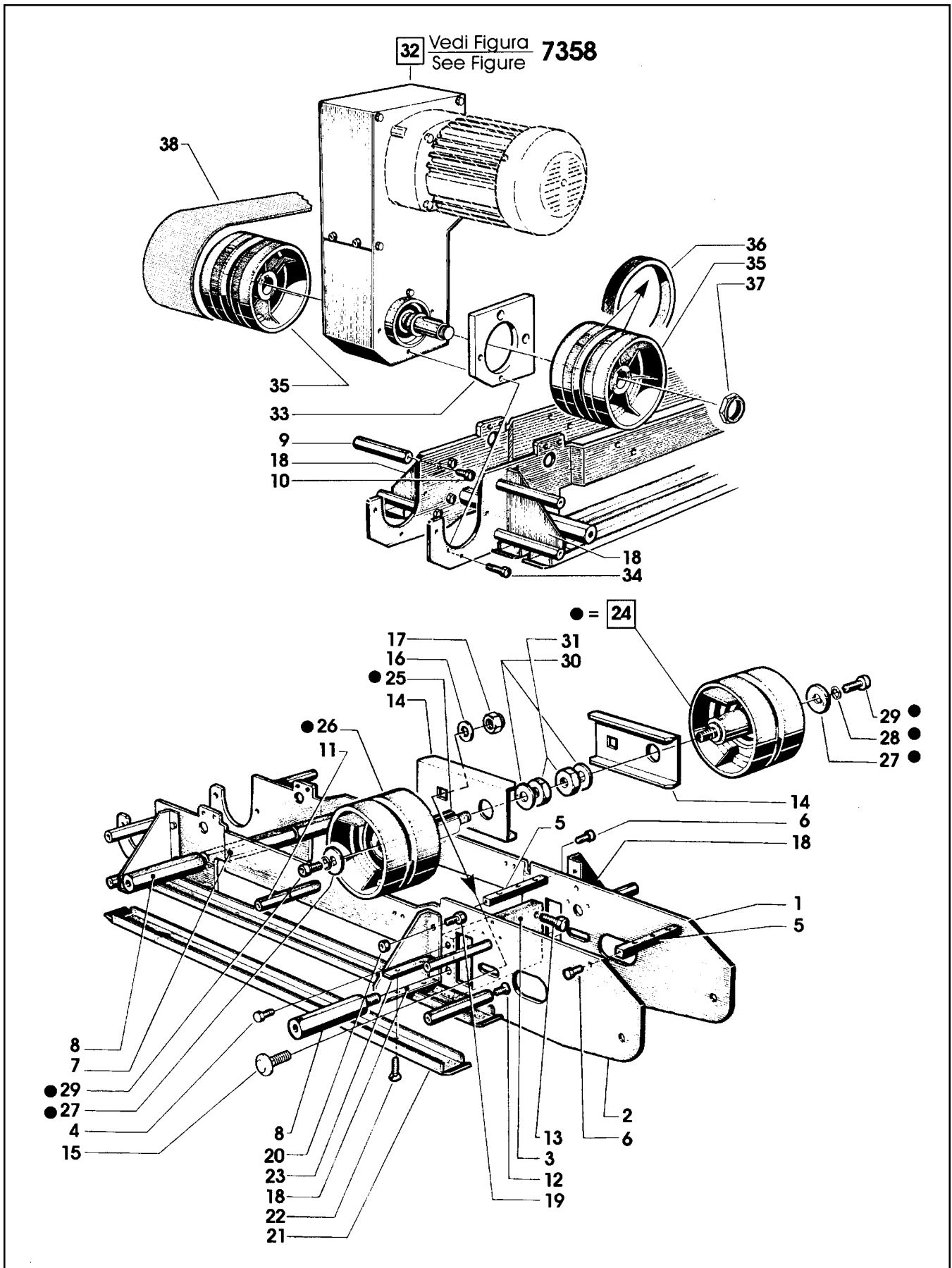
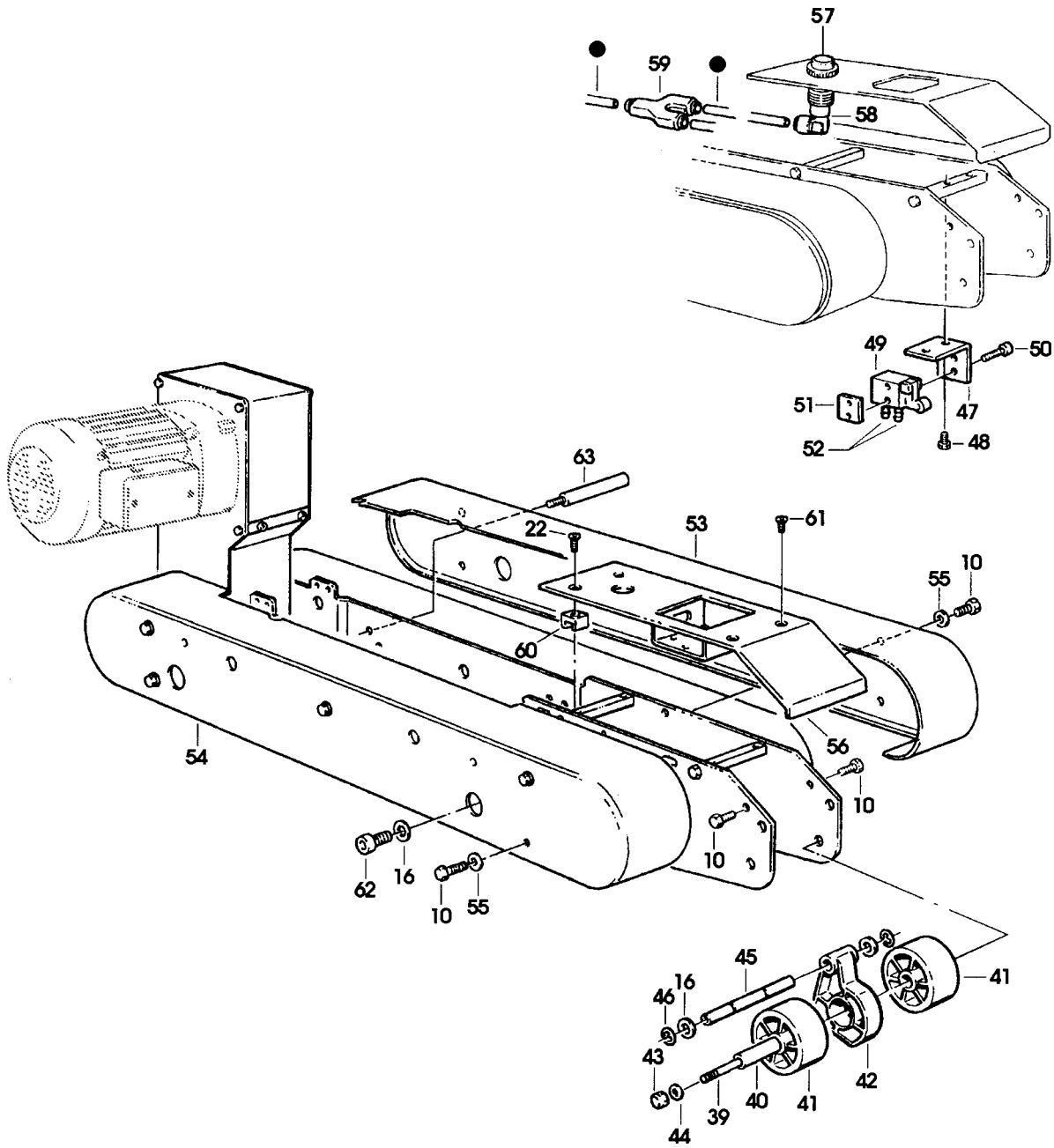


Figure 7357/1 of 2

Figure 7357 (Page 1 of 2)

Ref. No.	3M Part No.	Description
7357-1	78-8114-5052-3	Frame – Upper R/H
7357-2	78-8114-5053-1	Frame – Upper L/H
7357-3	78-8055-0697-5	Block – Spacer
7357-4	78-8032-0375-7	Screw – Hex Hd, M6 x 16
7357-5	78-8055-0694-2	Spacer – 10 x 10 x 115 mm
7357-6	26-1003-5829-5	Screw – Hex Hd, M6 x 12
7357-7	78-8055-0695-9	Spacer – Hexagonal
7357-8	78-8054-8843-0	Spacer
7357-9	78-8119-8767-2	Stud
7357-10	78-8010-7169-3	Screw – Hex Hd, Metric M6 x 12
7357-11	78-8052-6643-0	Spacer
7357-12	26-1002-5830-5	Screw – Hex Hd, M6 x 12
7357-13	26-1003-5845-1	Screw – Hex Hd, M8 x 40
7357-14	78-8114-4911-1	Belt Tensioning
7357-15	78-8119-8768-0	Screw – O.HD. M10 x 25
7357-16	26-1004-5510-9	Washer – Plain, M10
7357-17	26-1003-6918-5	Nut – Plastic Insert M10 Hex Flange
7357-18	78-8052-6706-5	Bracket
7357-19	26-1003-5820-4	Screw – Hex Hd, M5 x 12
7357-20	78-8010-7417-6	Nut – Hex, M5
7357-21	78-8052-6714-9	Guide Drive Belt
7357-22	26-1005-5316-8	Screw Flat Hd Hex Dr, M5 x 16
7357-23	78-8052-6715-6	Bracket
7357-24	78-8060-8151-5	Idler Roller Assembly
7357-25	78-8052-6711-5	Shaft – Roller
7357-26	78-8052-6710-7	Roller – Idler
7357-27	78-8052-6709-9	Washer – Special
7357-28	78-8010-7435-8	Washer – Metric Lock, M6
7357-29	26-1003-7957-2	Screw – Soc Hd Hex Hd, M6 x 16
7357-30	26-1004-5511-7	Washer – Metric
7357-33	78-8055-0705-6	Spacer – Gear Box
7357-34	26-1003-5824-6	Screw – Hex Hd, M5 x 30

700rks Adjustable Case Sealer



● = Vedi/See Fig. 7360 pos. 31

Figure 7357/2 of 2

Figure 7357 (Page 2 of 2)

Ref. No.	3M Part No.	Description
7357-35	78-8076-5105-0	Pulley Assembly – Drive
7357-36	78-8052-6713-1	Ring – Polyurethane
7357-37	78-8060-8416-2	Nut – Special, M20 x 1
7357-38	78-8052-6722-2	Belt – Laced, Box Drive
7357-39	78-8114-5055-6	Shaft – Roller
7357-40	78-8114-5056-4	Tube
7357-41	78-8094-6438-7	Roller
7357-42	78-8076-4657-1	Link – Actuator, Valve
7357-43	78-81001132-6	Nut – Special, M8
7357-44	78-8017-9318-9	Washer – Plain Metric, 8 mm
7357-45	78-8055-0721-3	Shaft – 10 x 115 mm
7357-46	78-8016-5855-6	E-Ring – 10 mm
7357-47	78-8054-8832-3	Support – Valve
7357-48	26-1002-5817-2	Screw – Hex Hd, M5 x 8
7357-49	26-1005-6358-9	3-Way – 2 Position Valve
7357-50	26-1003-7946-5	Screw – Soc Hd, M4 x 25
7357-51	78-8059-5607-1	Plate – Threaded
7357-52	26-1005-6359-7	Fitting – Barb N-M5-PK3
7357-53	78-8114-5057-2	Cover – Belt, R/H
7357-54	78-8114-5058-0	Cover – Belt, L/H
7357-55	26-1000-0010-3	Washer – Flat, M6
7357-56	78-8114-5059-8	Cover – Upper
7357-57	78-8076-4665-4	Indicator – Visual
7357-58	26-1005-5909-0	Elbow
7357-59	78-8076-4664-7	Union – Female
7357-60	78-8091-0655-8	Spacer – Cover
7357-61	26-1002-3866-1	Screw – Flat Hd Hex Dr, M5 x 10
7357-62	26-1003-7973-9	Screw – Soc Hd, M10 x 16
7357-63	78-8119-8769-8	Stud – Mounting

700rks Adjustable Case Sealer

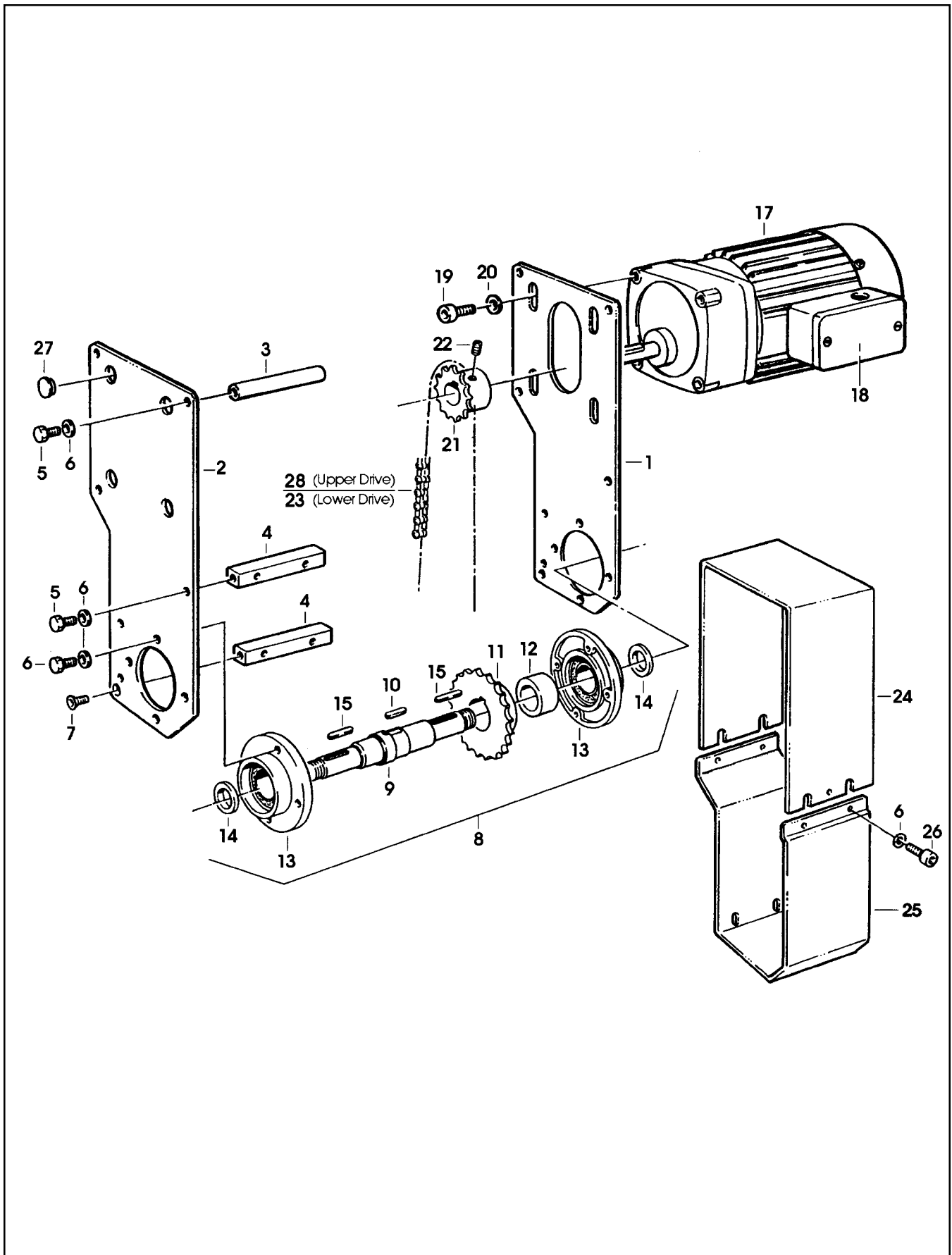


Figure 7358

Figure 7358

Ref. No.	3M Part No.	Description
7358-1	78-8114-5045-7	Frame – Lower, R/H
7358-2	78-8114-5046-5	Frame – Lower, L/H
7358-3	78-8054-8975-0	Spacer
7358-4	78-8054-8977-6	Spacer
7358-5	26-1003-5820-4	Screw – Hex Hd, M5 x 12
7358-6	78-8005-5741-1	Washer – Plain M5
7358-7	26-0001-5862-1	Screw – Flat Hd Soc, M5 x 12
7358-8	78-8060-8424-6	Drive Shaft Assembly
7358-9	78-8060-8423-8	Shaft
7358-10	78-8057-5811-3	Key – 6 x 6 x 20 mm
7358-11	78-8054-8986-7	Sprocket – 3/8 Inch Pitch, 28 Teeth
7358-12	78-8054-8984-2	Bushing
7358-13	78-8054-8983-4	Housing – Bearing
7358-14	78-8054-8879-4	Washer – /20, 5 mm
7358-15	78-8057-5739-6	Key – M5 x 5 x 30 mm
7358-16	26-1002-5820-6	Screw – Hex Hd, M5 x 16
7358-17	78-8091-0596-4	Gearmotor – Bodine
7358-18	26-1011-8828-7	Capacitor
7358-19	78-8070-1523-1	Screw – 1/4-28 x 1/2 SHCS
7358-20	26-1000-0010-3	Washer – Flat M6
7358-21	78-8070-1524-9	Sprocket – 3/8 Inch Z=17
7358-22	78-8023-2479-4	Screw – Set W/End Cup, M6 x 10
7358-23	78-8070-1597-5	Chain – 3/8 Inch, P=62
7358-24	78-8114-5047-3	Cover
7358-25	78-8114-5048-1	Cover – Lower
7358-26	26-1003-7949-9	Screw – Soc Hd Hex Soc, M5 x 12
7358-27	78-8054-8821-6	End – Cap
7358-28	78-8095-1175-7	Chain – 3/8 Inch, 72 Pitch

700rks Adjustable Case Sealer

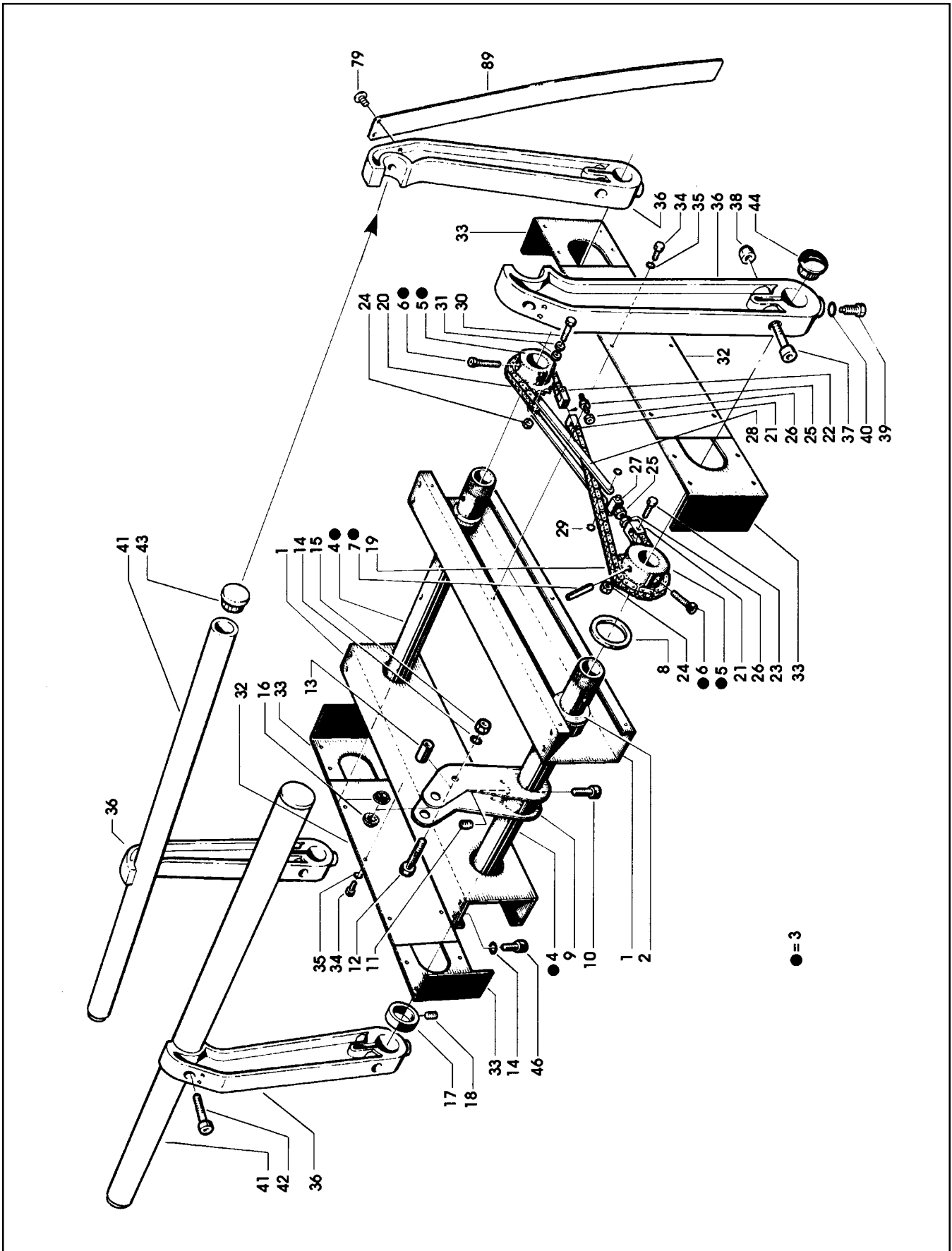


Figure 7359/1 of 2

Figure 7359 (Page 1 of 2)

Ref. No.	3M Part No.	Description
7359-1	78-8114-4913-7	Crossbar
7359-2	78-8054-8791-1	Rod Bushing
7359-3	78-8060-8182-0	Guide Centering Rod Assembly
7359-4	78-8054-8775-4	Guide Centering Rod
7359-5	78-8054-8778-8	Sprocket – 20 Teeth, 3/8 Inch
7359-6	26-1003-7949-9	Screw – Soc Hd Soc, M5 x 12
7359-7	78-8060-7890-9	Spring Pin – /6X45
7359-8	78-8060-8463-4	Washer – Guide Rod
7359-9	78-8054-8776-2	Lever – Flanged
7359-10	26-1003-7963-0	Screw – Soc Hd, M8 x 16
7359-11	78-8060-7889-1	Set Screw – M8 X 10
7359-12	26-1002-5836-2	Screw – Hex Hd, M6 x 40
7359-13	78-8054-8781-2	Spacer – 6,5/12 x 28 mm
7359-14	26-1000-0010-3	Washer – Flat M6
7359-15	26-1003-6916-9	Nut – Locking Plastic Insert M6
7359-16	78-8054-8780-4	Bushing – 10 x 14 mm
7359-17	78-8054-8789-5	Spacer – 30/43 x 28 mm
7359-18	26-1003-8816-9	Screw – Set M5 x 6
7359-19	78-8055-0718-9	Chain – 3/8 Inch Pitch, 55 Pitch Long
7359-20	78-8055-0719-7	Chain – 3/8 Inch Pitch, 27 Pitch Long
7359-21	78-8054-8786-1	Chain Connector
7359-22	78-8054-8788-7	Chain Connector
7359-23	78-8060-7520-2	Screw – M3 x 20
7359-24	78-8059-5517-2	Nut – Self-Locking, M3
7359-25	78-8054-8785-3	Rod – Threaded Right/Left
7359-26	78-8010-7418-4	Nut – Hex, M6
7359-27	78-8054-8784-6	Block – Chain
7359-28	78-8054-8787-9	Chain Link
7359-29	78-8056-3945-3	E-Ring – M4
7359-30	78-8060-7519-4	Screw – M3 x 25
7359-31	78-8054-8783-8	Washer – Special
7359-32	78-8114-5065-5	Cover – Center
7359-33	78-8114-5066-3	Cover – Side
7359-34	78-8010-7157-8	Screw – Hex Hd, M4X10
7359-35	78-8005-5740-3	Washer – Plain 4 mm
7359-36	78-8114-5067-1	Lever – Infeed
7359-37	78-8060-7895-8	Screw – M8 x 35
7359-38	78-8017-9313-0	Nut – Self-Locking, M8
7359-39	78-8060-7888-3	Screw – Special, M8
7359-40	78-8017-9318-9	Washer – Plain, 8 mm
7359-41	78-8100-0881-9	Guide – Centering
7359-42	78-8023-2334-1	Screw – Soc Hd, Hex Soc, M6 x 25
7359-43	78-8054-8779-6	End – Cap
7359-44	78-8054-8790-3	End – Cap
7359-45	78-8114-5068-9	Frame – Infeed
7359-46	26-1003-7957-2	Screw – Soc Hd Hex Hd, M6 x 16

700rks Adjustable Case Sealer

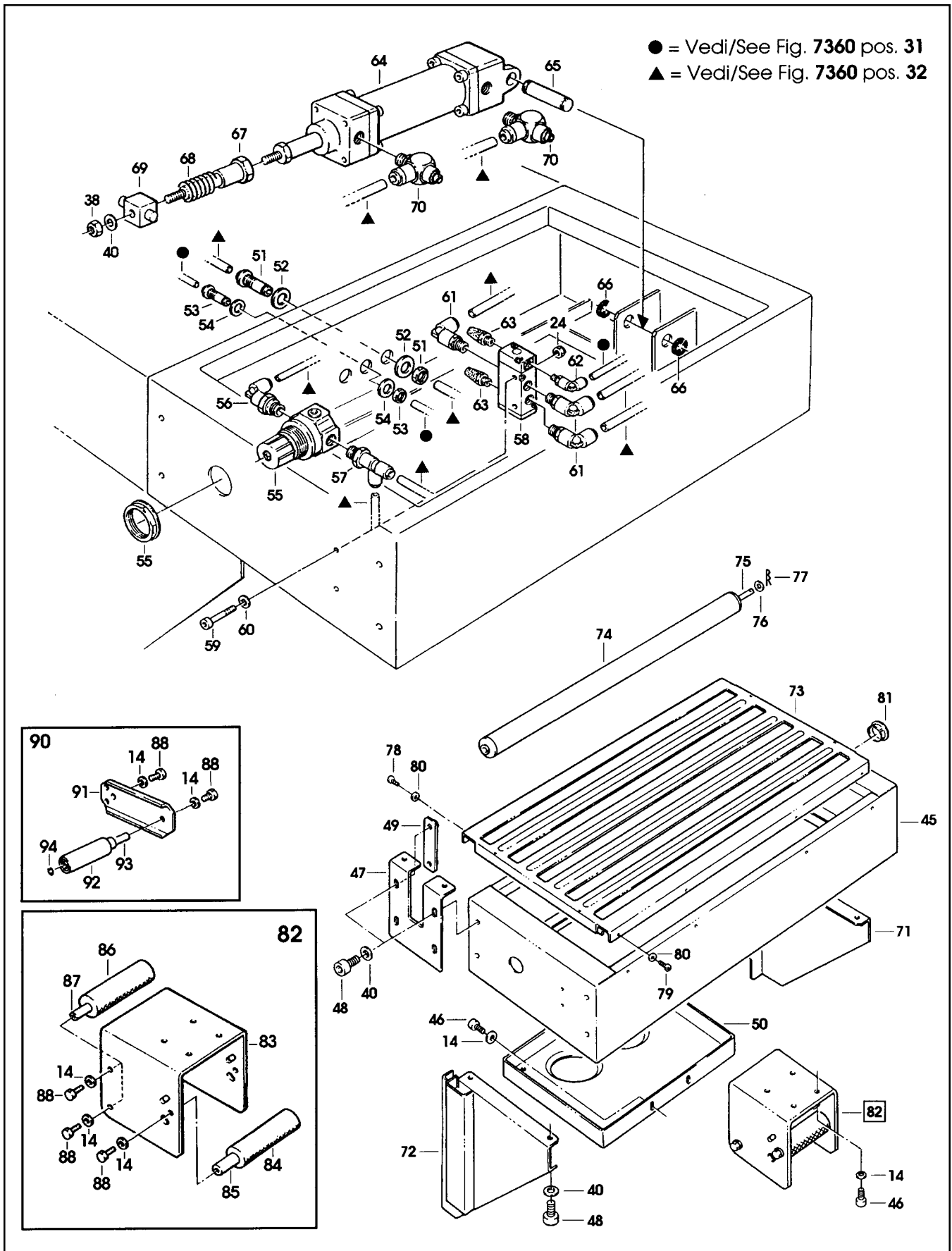


Figure 7359/2 of 2

Figure 7359 (Page 2 of 2)

Ref. No.	3M Part No.	Description
7359-47	78-8114-5069-7	Bracket
7359-48	26-1003-7964-8	Screw – Soc Hd Hex Soc Dr, M8 x 20
7359-49	78-8091-0632-7	Plate – Mounting
7359-50	78-8091-0712-7	Plate – Reinforce
7359-51	26-1005-6883-6	Bulk Head Fitting
7359-52	12-7991-1752-3	Washer – Plain M14
7359-53	26-1005-6887-7	Bulk Head Fitting
7359-54	78-8017-9059-9	Washer – Flat For M12 Screw
7359-55	78-8076-4675-3	Regulator – 0.5-7 Bar
7359-56	78-8055-0756-9	Union Rotating MR41-06-14
7359-57	78-8060-7858-6	Union – MR44-06-14
7359-58	78-8076-4677-9	Valve – V2A-5120-01
7359-59	78-8076-4537-5	Screw – Soc Hd Hex Hd, M3 x 25
7359-60	78-8076-4538-3	Washer – Flat, M3
7359-61	26-1005-6893-5	Elbow – 90 Degree
7359-62	78-8057-5732-1	Fitting – Elbow MR41-04-05
7359-63	26-1005-6890-1	Muffler
7359-64	78-8055-0714-8	Cylinder – Air, 40 x 120 mm
7359-65	78-8054-8996-6	Pin-Air Cylinder Clevis
7359-66	78-8056-3965-1	E-Ring – M8
7359-67	78-8054-8766-3	Bushing
7359-68	78-8054-8767-1	Spring
7359-69	78-8054-8768-9	Block – Pivot
7359-70	78-8091-0510-5	Regulator – Speed
7359-71	78-8114-5070-5	Reinforcement – R/H
7359-72	78-8114-5071-3	Reinforcement – L/H
7359-73	78-8114-5072-1	Conveyor Assembly – Infeed
7359-74	78-8114-5073-9	Roller – /32x1.2x580
7359-75	78-8114-5074-7	Shaft – Roller
7359-76	78-8114-5075-4	Washer – Special
7359-77	78-8076-5385-8	Spring
7359-78	26-1003-5820-4	Screw – Hex Hd, M5 x 10
7359-79	78-8094-6145-8	Screw – Phillis, M5 x 12
7359-80	78-8005-5741-1	Washer – Flat, M5
7359-81	78-8060-8184-6	Cap – /35X1,5
7359-82	78-8076-5025-0	Support Assembly – Tape Roll Bracket
7359-83	78-8076-5027-6	Support – Tape Roll Bracket
7359-84	78-8076-5032-6	Roller – Knurled, 110,5 mm
7359-85	78-8076-5031-8	Shaft – Roller
7359-86	78-8076-5030-0	Roller – Knurled, 114 mm
7359-87	78-8076-5028-4	Shaft – Roller
7359-88	78-8032-0375-7	Screw – Hex Hd, M6 x 16
7359-89	78-8114-5076-2	Strap – Safety
7359-90	78-8114-4717-2	Bracket Assembly
7359-91	78-8076-5033-4	Bracket
7359-92	78-8114-4719-8	Roller
7359-93	78-8114-4718-0	Shaft
7359-94	26-1000-1613-3	Ring – Retaining 10DIN6799
7359	78-8060-8435-2	Repair Kit – Cylinder (For Item 7359-64)

700rks Adjustable Case Sealer

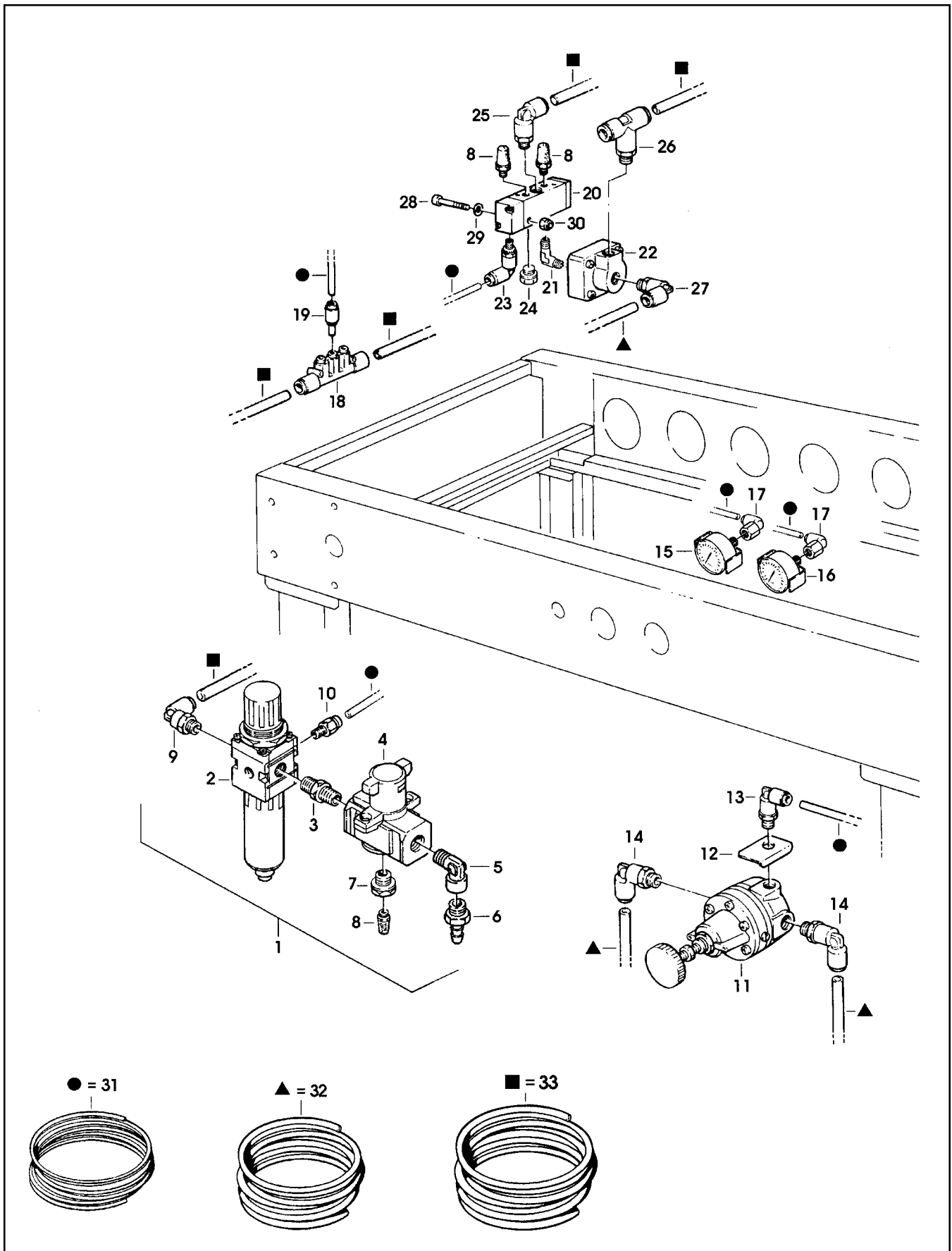


Figure 7360

Figure 7360

Ref. No.	3M Part No.	Description
7360-1	78-8114-5077-0	Filter/Regulator Assembly
7360-2	26-1014-4558-8	Filter – Regulator, W/Metal Bowl
7360-3	78-8060-7899-0	Nipple – RA 012 1/4 Inch - 1/4 Inch
7360-4	78-8076-4669-6	Right Valve – EVHS-4500, F02-RX116
7360-5	78-8060-7900-6	Union – RA 022 1/4 Inch - 1/4 Inch
7360-6	26-1005-6897-6	Hose Connector
7360-7	78-8076-4670-4	Reduction – 3/8 Inch - 1/8 Inch
7360-8	26-1005-6890-1	Muffler
7360-9	78-8091-0315-9	Elbow – 3199.08.13
7360-10	78-8076-4891-6	Union – Straight KQH04-01S
7360-11	78-8076-4673-8	Regulator – Pressure
7360-12	78-8091-0637-6	Plate – Regulator
7360-13	26-1005-5909-0	Elbow
7360-14	78-8055-0756-9	Union – Rotating, MR41-06-14
7360-15	78-8119-8632-8	Gauge – /50, 0-12 Bar
7360-16	78-8119-8635-1	Gauge – /50. 0-4 Bar
7360-17	78-8119-8770-6	Elbow – 1/4 - 1/4, 31920413
7360-18	78-8091-0639-2	Union – TE 33040806
7360-19	78-8057-5735-4	Fitting – Reducer
7360-20	78-8076-4677-9	Valve – V2A 5120-01
7360-21	78-8017-9426-0	Elbow – 90 Degree, 1/8 Inch Male x 1/8 Inch Male
7360-22	78-8076-4678-7	Valve – Quick Exhaust
7360-23	78-8057-5732-1	Fitting – Elbow
7360-24	78-8060-7690-3	Cap
7360-25	78-8091-0313-4	Elbow – 3199.08.10
7360-26	78-8091-0317-5	Union – Tee, 3198.08.10
7360-27	26-1005-6893-5	Elbow – 90 Degree
7360-28	78-8076-4537-5	Screw – Soc Hd Hex Hd, M3 x 25
7360-29	78-8076-4538-3	Washer – Flat, M3
7360-30	78-8059-5517-2	Nut – Self-Locking, M3
7360-31	78-8119-8666-6	Tube – Air, TUO425B, 5 MT
7360-32	78-8119-8667-4	Tube – Air, TUO604B, 5 MT
7360-33	78-8119-8668-2	Tube – Air, TUO805B, 5 MT

700rks Adjustable Case Sealer

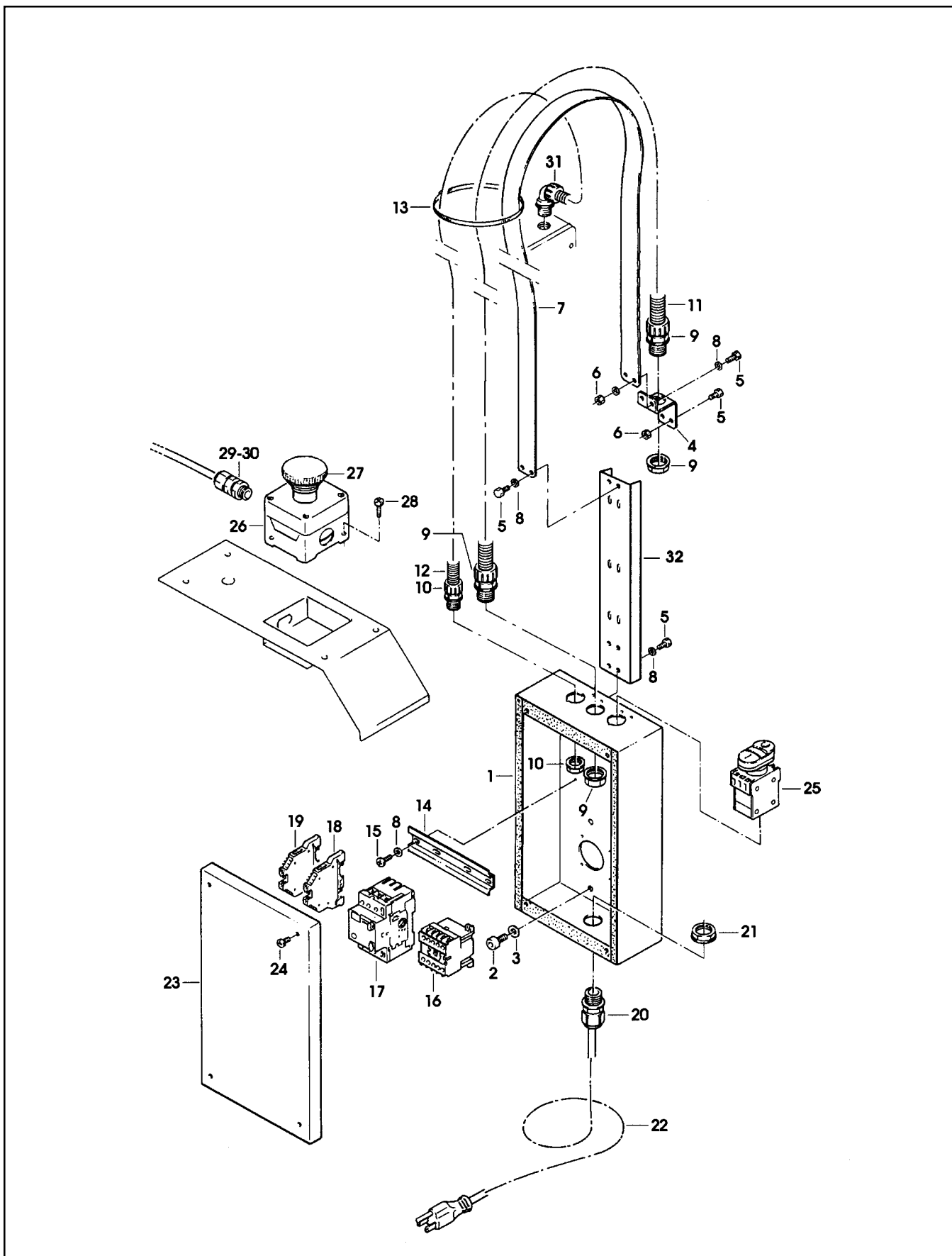


Figure 7361

Figure 7361

Ref. No.	3M Part No.	Description
7361-1	78-8122-6536-7	Box – Electrical, W/English Language Labels
7361-2	26-1003-7963-0	Screw – Soc Hd, M8 x 16
7361-3	78-8017-9318-9	Washer – Plain, 8 mm
7361-4	78-8114-5050-7	Bracket
7361-5	78-8010-7163-6	Screw – Hex Hd, M5 x 10
7361-6	78-8010-7417-6	Nut – Hex, M5
7361-7	78-8114-4912-9	Strap – Wire
7361-8	78-8005-5741-1	Washer – Plain M5
7361-9	78-8076-4520-1	Union PG13 – Sleeve /16
7361-10	78-8076-4638-1	Union PG13.5 – Sleeve /14
7361-11	78-8114-5081-2	Sleeving – 1820 mm
7361-12	78-8114-5082-0	Sleeving – 1720 mm
7361-13	78-8060-8029-3	Clamp
7361-14	78-8094-6382-7	Guide – Mounting
7361-15	78-8094-6145-8	Screw – M5 x 12
7361-16	78-8094-6383-5	Contacto – SPRECHER & SCHUH
7361-17	78-8100-0755-5	Switch – KTA 3-25, 2.5-4 A
7361-18	78-8094-6384-3	Clamp
7361-19	78-8091-0412-4	Terminal – VU 4-2.5
7361-20	78-8057-5807-1	Cord Grip – ST 16
7361-21	78-8100-1202-7	Lock Nut – GMP 16
7361-22	78-8028-7909-4	Power Cord U.S.A.
7361-23	78-8122-6535-9	Cover – Electrical Box, W/English Language Label
7361-24	78-8017-9066-4	Screw – M5 x 12
7361-25	78-8094-6386-8	Switch – On/Off
7361-26	78-8076-5194-4	Box – E-Stop, Yellow
7361-27	26-1014-5845-8	E-Stop – /40, W/Latch & Contact
7361-28	26-1003-5707-3	Screw – M4 x 16
7361-29	78-8076-4715-7	Cord Grip
7361-30	78-8076-5211-6	Set Nut – GMP13.5
7361-31	78-8070-1596-7	Union – Elbow, PG 13,5
7361-32	78-8119-8771-4	Housing – Wire