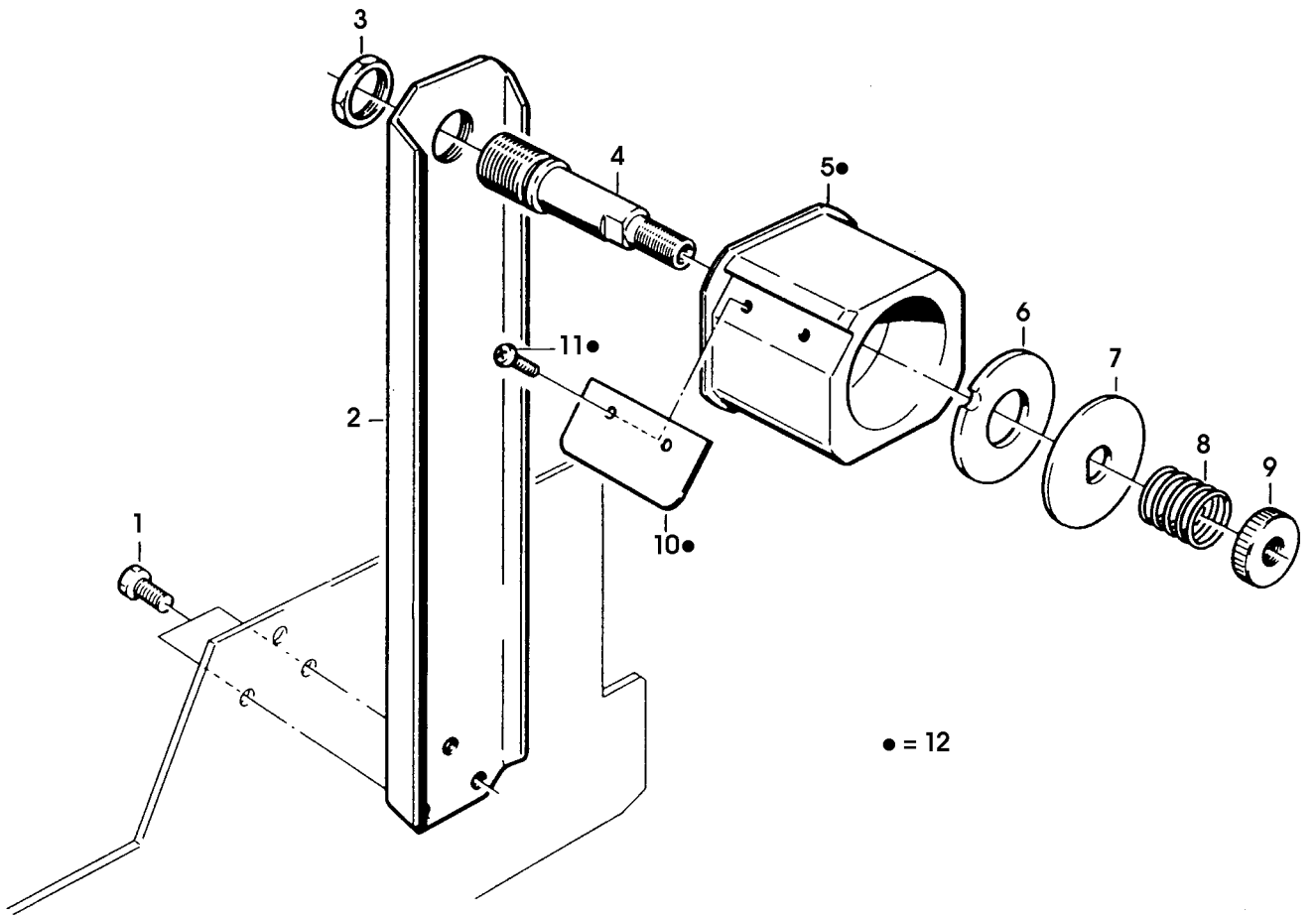


Pos.	Q.tà/Q.ty	Codice/Code	Description	Descrizione
1	2	S330535693Z	SCREW	VITE TE M6X12 SPEC.
2	1	S320083593Z	CORE HOLDER ARM	BRACCIO PORTAROTOLO K
3	1	S330007093Z	NUT	DADO ALTO M18X1 ZINCATO
4	1	S350231190Z	SHAFT	PERNO X PORTAROTOLO K13/3M
5	1	S460165105Z	CORE HOLDER	PORTAROTOLO K/2" COMP.
6	1	S3100926ZZZ	CLUTCH WASHER	FRIZIONE PORTAROTOLO
7	1	S320075693Z	THRUST WASHER	CONTRASTO FRIZIONE K
8	1	S370021594Z	SPRING	MOLLA PORTAROTOLO K NIKELATA
9	1	S330443893Z	RING NUT	GHIERA REGOLAZ. PORTAR. K ZINC.
10	1	S320008590Z	FLAP	SPATOLA PORTAROTOLO K
11	2	S340083093Z	SCREW	VITE TCBCR AUTOF. 7SPX8 ZINCATA
12	1	S4704932ZZZ	CORE HOLDER ASSY	PORTAROTOLO K/2" ASS.

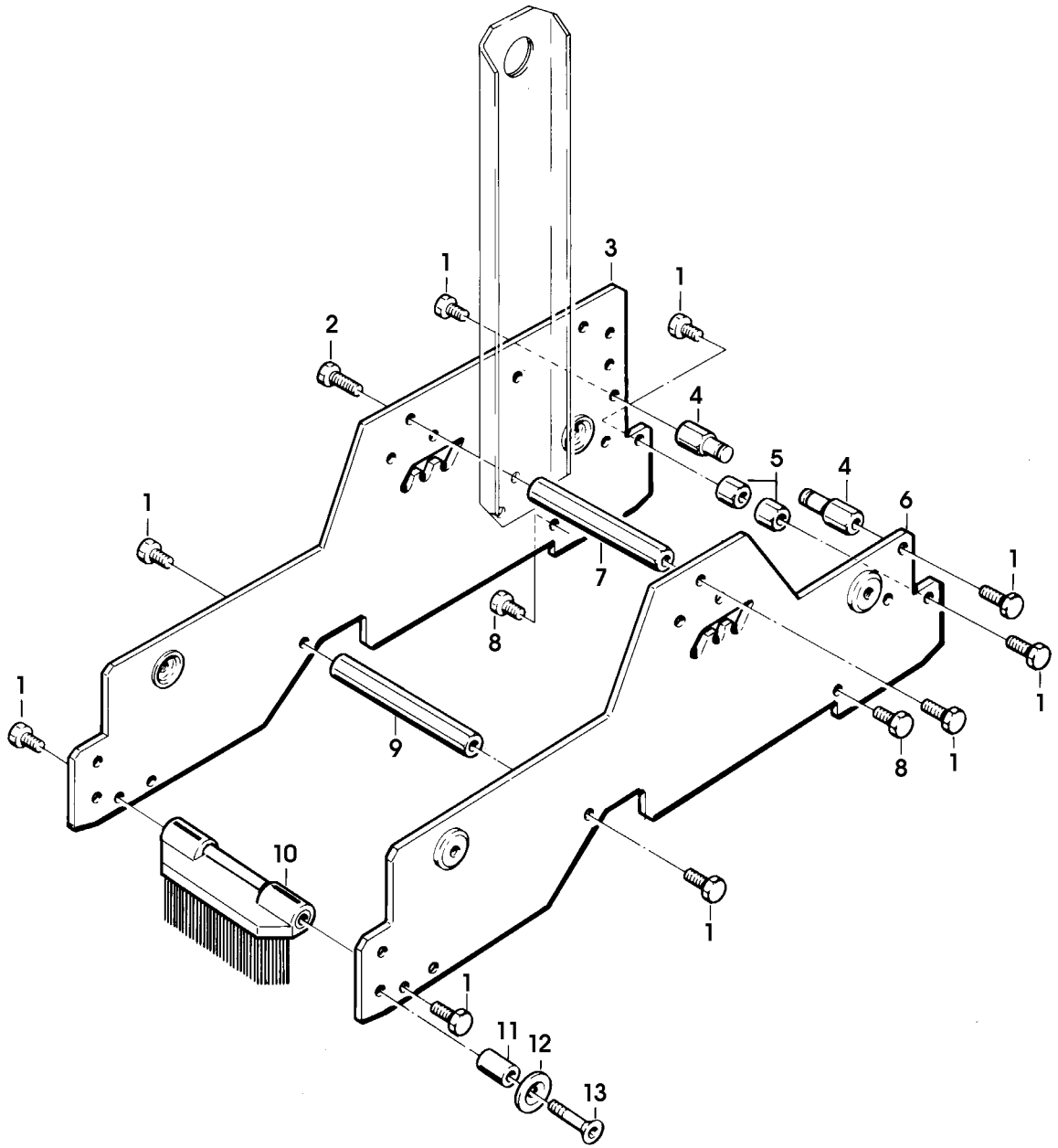


15282

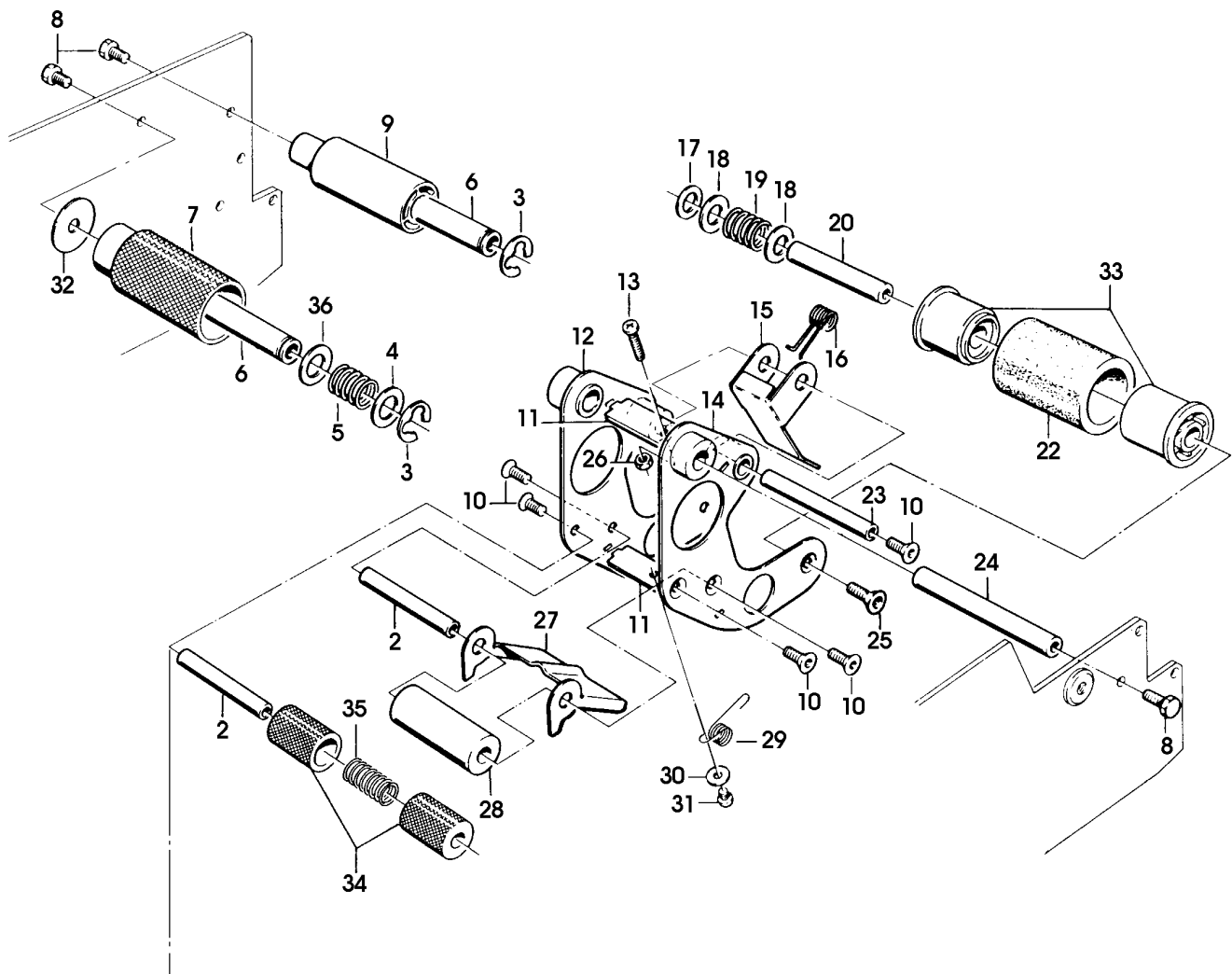
**GRUPPO SPALLE
GROUP SHOULDER**

K11/38

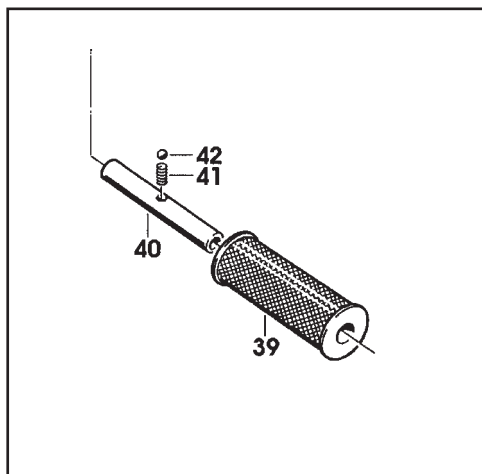
Pos.	Q.tà/Q.ty	Codice/Code	Description	Descrizione
1	9	S330535693Z	SCREW	VITE TE M6X12 SPEC.
2	1	S330787693Z	SCREW	VITE TE M6X16 SPEC.
3	1	S450383647Z	RIGHT SHOULDER	SPALLA PRINC. DESTRA IMBUSS.
4	2	S330928193Z	SPRING CONNECTION	ATTACCO MOLLA LAMA ZINCATO
5	2	S330928293Z	BLADE STOP LEVER	FERMO LEVA LAMA ZINCATA
6	1	S450383747Z	LEFT SHOULDER	SPALLA PRINC. SX IMB. GRIGIO ANT.
7	1	S332052693A	SPACER	DISTANZIALE K11-1,1/2" ZINC.
8	2	S330787793Z	SCREW	VITE SPEC. TE M6X10 ZINC.
9	1	S332052793A	SPACER	PERNO FISSAGGIO CARTER K11-1,1/2" ZINC.
10	1	S4707847ZZZ	BRUSH ASSY	SPAZZOLA ASS.K13-1,5"
11	4	S330895593Z	SPACER	DISTANZIALE /6,25X10X15,5 ZIN.
12	4	S330973893Z	SIZED WASHER	RONDELLA SPECIALE /6,5X20X4 Z.
13	4	S340003093Z	SCREW	VITE TSVEI M6X25 ZINCATA



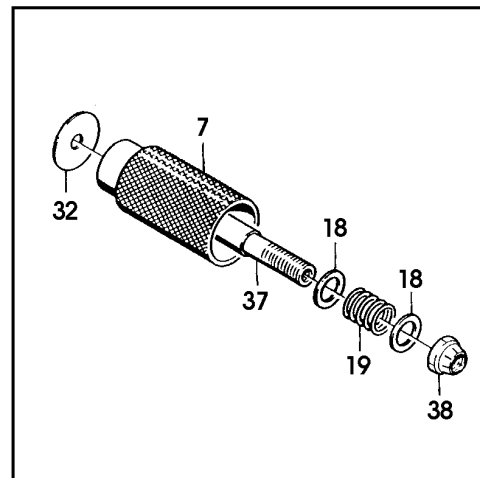
Pos.	Q.tà/Q.ty	Codice/Code	Description	Descrizione
2	2	S332053093A	SHAFT	PERNO PER CONTRASTO TAPE K11-1,1/2" Z
3	1	S340089892Z	BENZING' TYPE RING	BENZING 10DIN6799 X ALBERO /12
4	1	S340006293Z	FLAT WASHER	RONDELLA PIANA X VITE M12 ZINC
5	1	S370022694Z	SPRING	MOLLA /11 FILO /1,8 L=16 NIK
6	1	S331361890Z	SHAFT	PERNO PER RULLO K13-1,5"/3M
7	1	S4304668ZZZ	ROLLER	RULLO N/RITORNO K13-1,5" TOP
8	4	S330535693Z	SCREW	VITE TE M6X12 SPEC.
9	1	S3101437ZZZ	ROLLER	RULLO DI RINVIO K13-1,5"
10	6	S340051693Z	SCREW	VITE TSVEI M5X12 ZINCATA
11	2	S320825393A	PLATE	PIASTRINA K11-1,5" ZINC.
12	1	S460423793A	RIGHT SHOULDER	SPALLA DX RULLO ENTRATA K11-1,5"
13	1	S340090293Z	SCREW	VITE TCBCR M4X16 ZINCATA
14	1	S460423893A	LEFT SHOULDER	SPALLA SX RULLO ENTRATA K11-1,5"
15	1	S320214093Z	CONFORMATOR	CONFORMATORE
16	1	S370018194Z	SPRING	MOLLA CONFORMATORE K11 NIKEL
17	1	S3100079ZZZ	NYLON WASHER	RONDELLA NYLON /10,5/18X1
18	4	S340021993Z	FLAT WASHER	RONDELLA PIANA X VITE M10 ZINC
19	2	S370022694Z	SPRING	MOLLA /11 FILO /1,8 L=16 NIK
20	1	S331364790Z	SHAFT	PERNO 10X48 K13-1,5"/3M
22	1	S310184300A	ROLLER	RULLO ENTRATA K11-1,5"
23	1	S332051893A	SHAFT	PERNO PER LEVE K11-1,5" ZINC.
24	1	S350083493Z	SHAFT	PERNO /10X78 K7 L=38
25	2	S330614893Z	SCREW	VITE TSVEI M6X12 SPEC K9-K13 ZINC.
26	1	S340000193Z	NUT	DADO M4 ZINCATO
27	1	S320825493A	TAPE CONTRAST	CONTRASTO NASTRO K11-1,5" ZINC.
28	1	S310184200A	SMOOTH ROLLER	RULLO LISCIO K11-1,5"
29	1	S370029698Z	SPRING	MOLLA CONTRASTO NASTRO K11/K12
30	1	S340003993Z	WASHER	RONDELLA TRIPLA X VITE M4 ZINC
31	1	S340000594Z	SCREW	VITE TCBR M4X6 NIKELATA
32	1	S320320893Z	WASHER	RONDELLA PER RULLO NON RIT. INOX K11/
33	1	S4304699ZZZ	INNER ROLLER	BUSS RUL ENTRATA IN DUE META' K13-1,5"/
34	2	S3100966ZZZ	PRE-ASSEMB. ROLLER	SEMICORPO RULLINO ZIGRINATO K11
35	1	S370018893Z	SPRING	MOLLA PER RULLO ZIGRINATO K11/K12
36	1	S3100891ZZZ	NYLON WASHER	RONDELLA NYLON 20X12,5X1 H75N
37	1	S331362390Z	SHAFT	PERNO X RULLO FRIZ.K13-1,5"/3M
38	1	S340081896Z	SELF-LOCKINGNUT	DADO AUTOBL. NHT-70 M10X1 TROP.
39	1	S4304913ZZZ	KNURLED ROLLER	RULLINO ZIGRINATO ASS.K11 1,5"
40	1	S332051793A	SHAFT, WITH HOLE	PERNO CON FORO X RUL ZIGR. K11-1,5" ZIN
41	1	S3700222ZZZ	SPRING	MOLLA /2,2 FILO/0,4 L=8
42	1	S3400840ZZZ	BALL	SFERA 1/8"



Da Luglio 1994
Since July, 1994



Da Settembre 1992
Since September, 1992

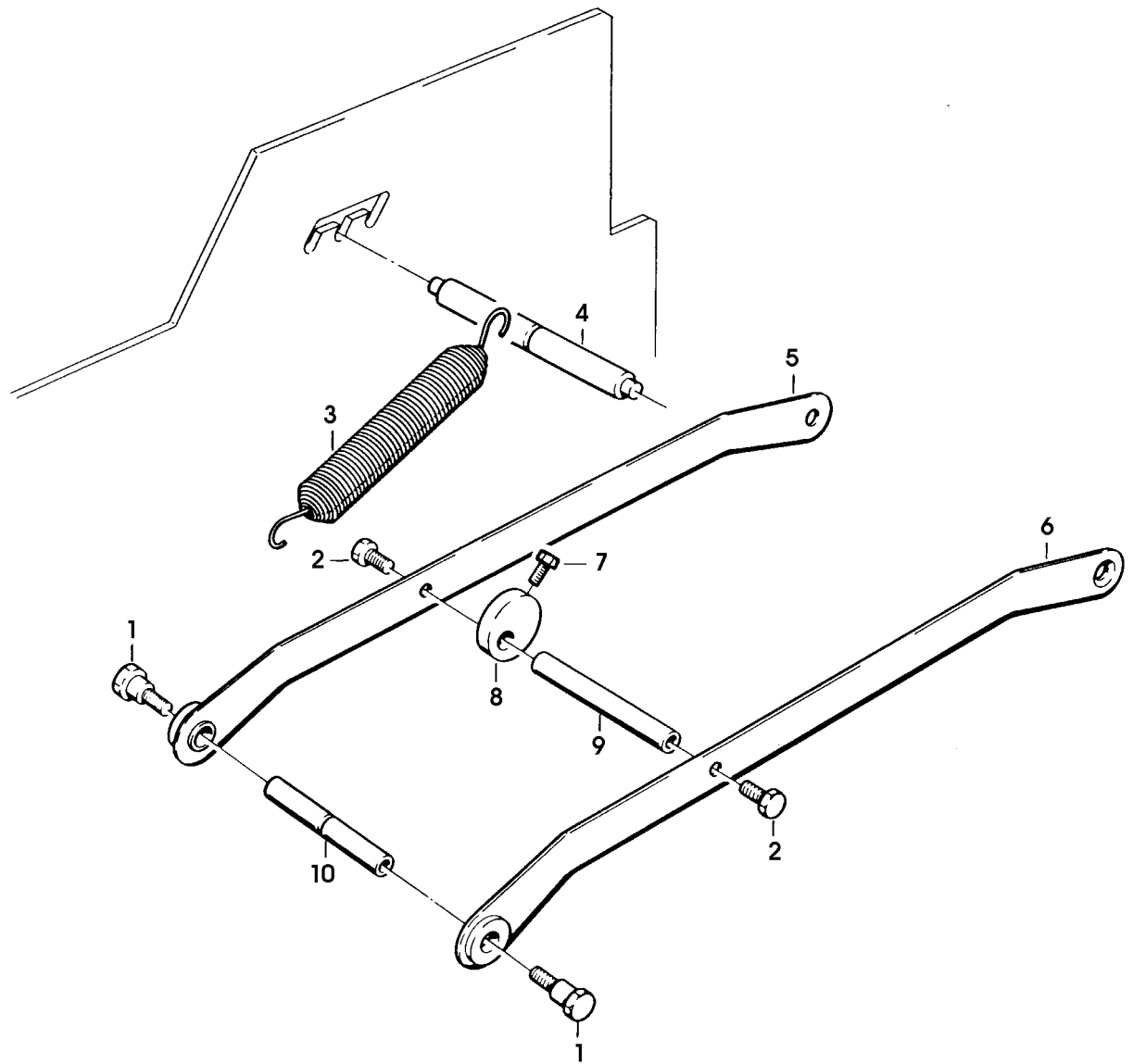


15284

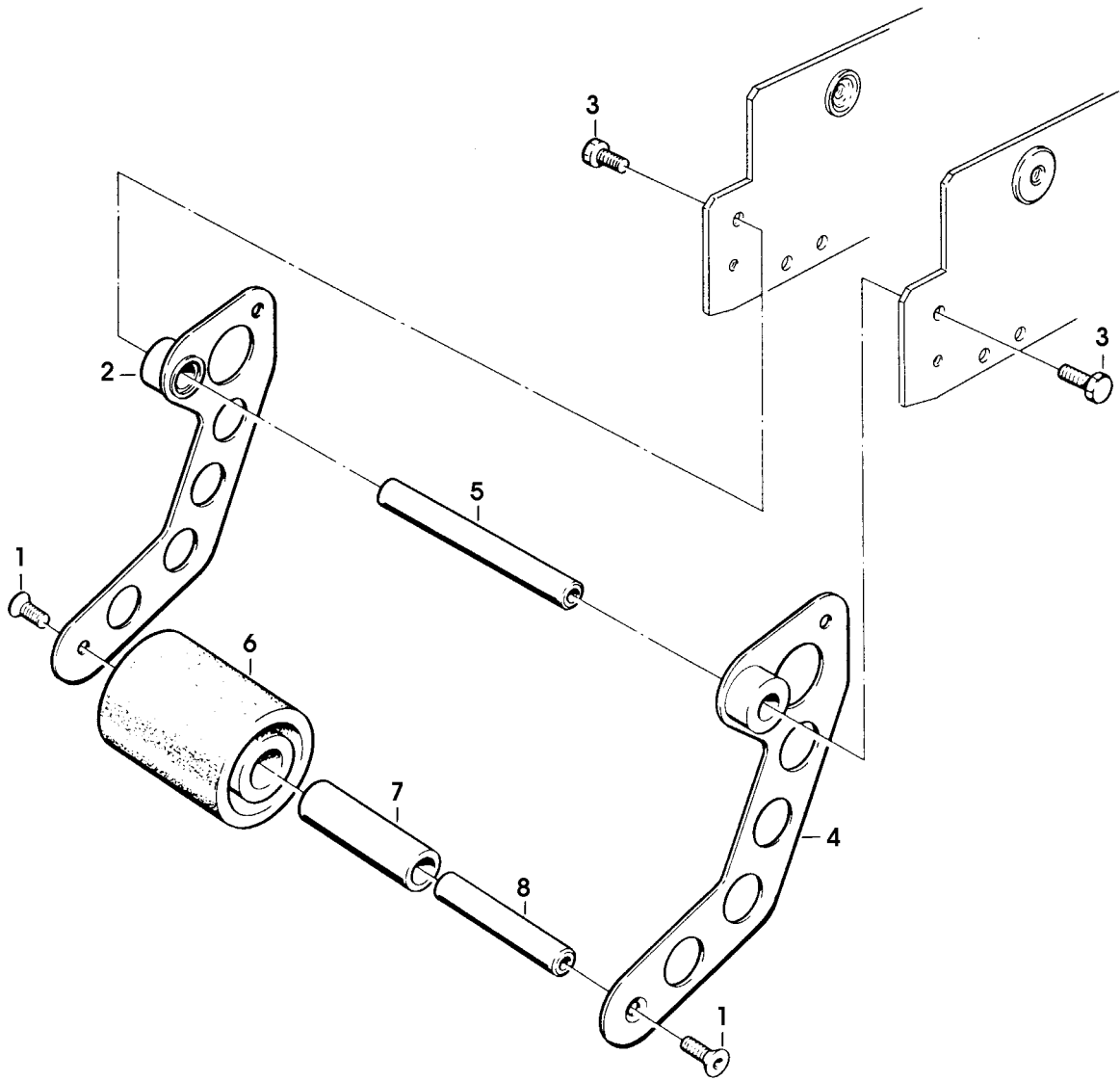
**GRUPPO LEVE
GROUP LEVER**

K11/38

Pos.	Q.tà/Q.ty	Codice/Code	Description	Descrizione
1	2	S330927893Z	SCREW	VITE A COLLETTO PER LEVA ZINC.
2	2	S340005693Z	SCREW	VITE TE M5X10 ZINC
3	1	S370017894Z	SPRING	MOLLA PRINC. K11 TOP NIKELATA
4	1	S332052493A	SPRING ATTACH PIN	ATTACCO MOLLA PRINC K11-1,1/2" ZINC.
5	1	S460384293Z	RIGHT LEVER	LEVA DESTRA IMBUSSOL.
6	1	S460384393Z	LEFT LEVER	LEVA SINISTRA IMBUSSOL.
7	1	S340032993Z	SCREW	VITE TE M5X16 ZINCATA
8	1	S330927693Z	LOCK ECCENTRIC	ECCENTRICO DI FERMO ZINCATO
9	1	S332051893A	LEVERS SHAFT	PERNO PER LEVE K11-1,5" ZINC.
10	1	S332051993A	SPRING ATTACH PIN	PERNO ATTACCO MOLLA K11-1,5" ZINC.



Pos.	Q.tà/Q.ty	Codice/Code	Description	Descrizione
1	2	S330614893Z	SCREW	VITE TSVEI M6X12 SPEC. K9-K13 ZINC
2	1	S460384093Z	RIGHT SHOULDER	SPALLA DX GRUPPO USC. IMBUSS.
3	2	S330535693Z	SCREW	VITE TE M6X12 SPEC.
4	1	S460384193Z	LEFT SHOULDER	SPALLA SX GRUPPO USC IMBUSS.
5	1	S350083493Z	SHAFT	PERNO /10X78 K7 L=38
6	1	S310095405Z	ROLLER, BLACK	RULLO USCITA K7 L=38 NERO
7	1	S3101436ZZZ	BUSHING	BUSSOLA PER RULLO USCITA K13-1,5"
8	1	S331364790Z	SHAFT	PERNO 10X48 K13-1,5"/3M

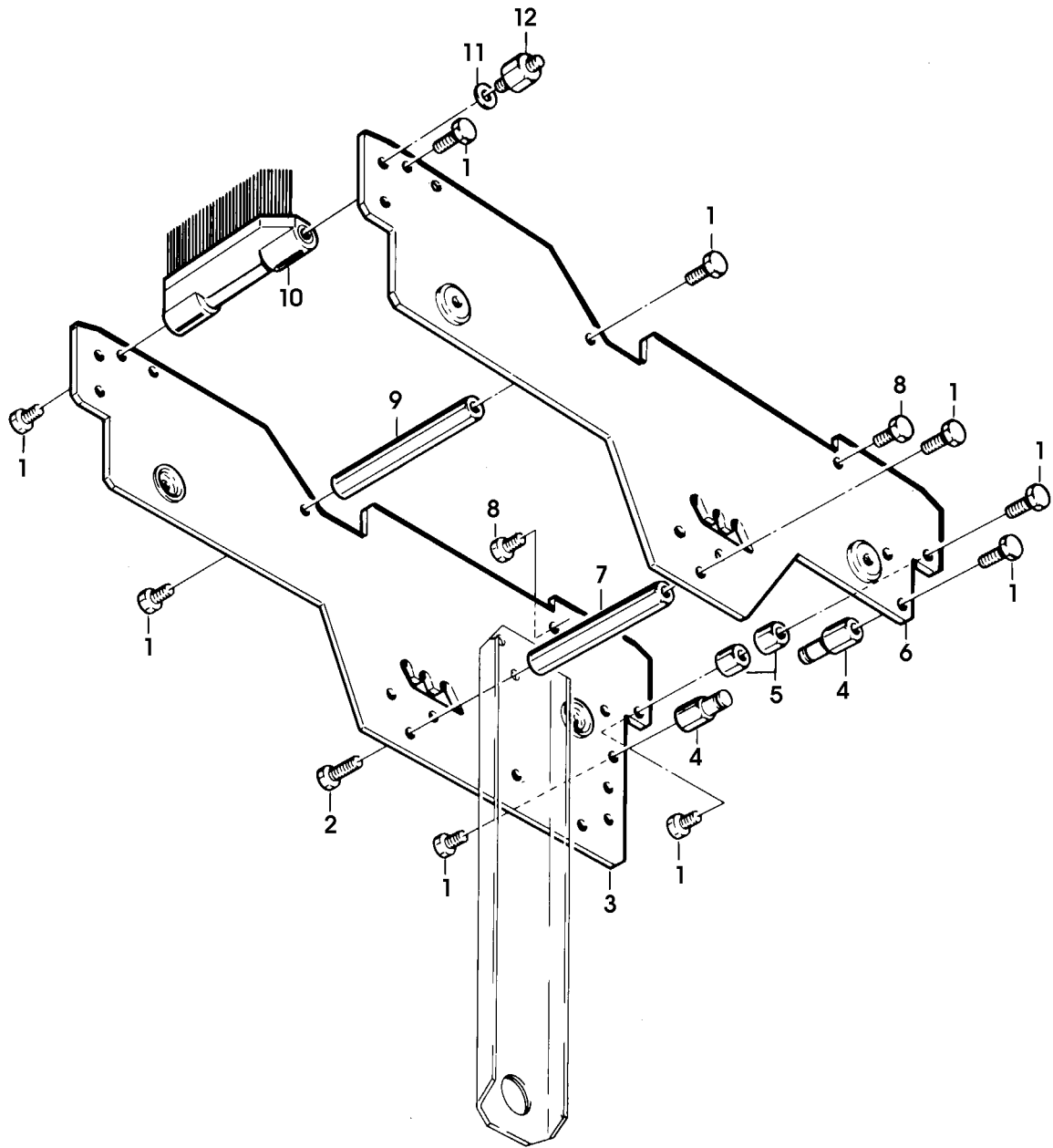


15287

**GRUPPO SPALLE
GROUP SHOULDER**

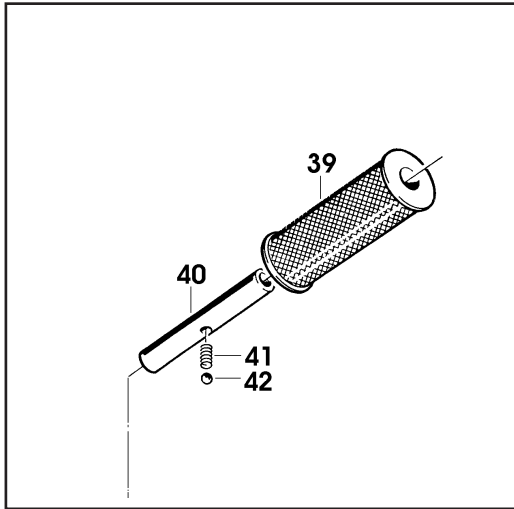
K11/38

Pos.	Q.tà/Q.ty	Codice/Code	Description	Descrizione
1	9	S330535693Z	SCREW	VITE TE M6X12 SPEC.
2	1	S330787693Z	SCREW	VITE TE M6X16 SPEC.
3	1	S450403347Z	RIGHT SHOULDER	SPALLA PRINCIPALE DX IMBUSSOL.
4	2	S330928193Z	SPRING CONNECTION	ATTACCO MOLLA LAMA ZINCATO
5	2	S330928293Z	BLADE STOP LEVER	FERMO LEVA LAMA ZINCATA
6	1	S450403447Z	LEFT SHOULDER	SPALLA PRINC SX IMBUSSOL. GRIGIA ANT.
7	1	S332052693A	SPACER	DISTANZIALE K11-1,1/2" ZINC.
8	2	S330787793Z	SCREW	VITE SPEC. TE M6X10 ZINC.
9	1	S332052793A	SPACER	PERNO FISSAGGIO CARTER K11-1,1/2" ZINC.
10	1	S4707847ZZZ	BRUSH ASSY	SPAZZOLA ASS.K13-1,5"
11	4	S340017593Z	WASHER	RONDELLA PIANA X VITE M6 ZINC.
12	4	SBC0008696T	LOCKING PIN	PERNO FISSAGGIO K11/1.5" BOTTOM

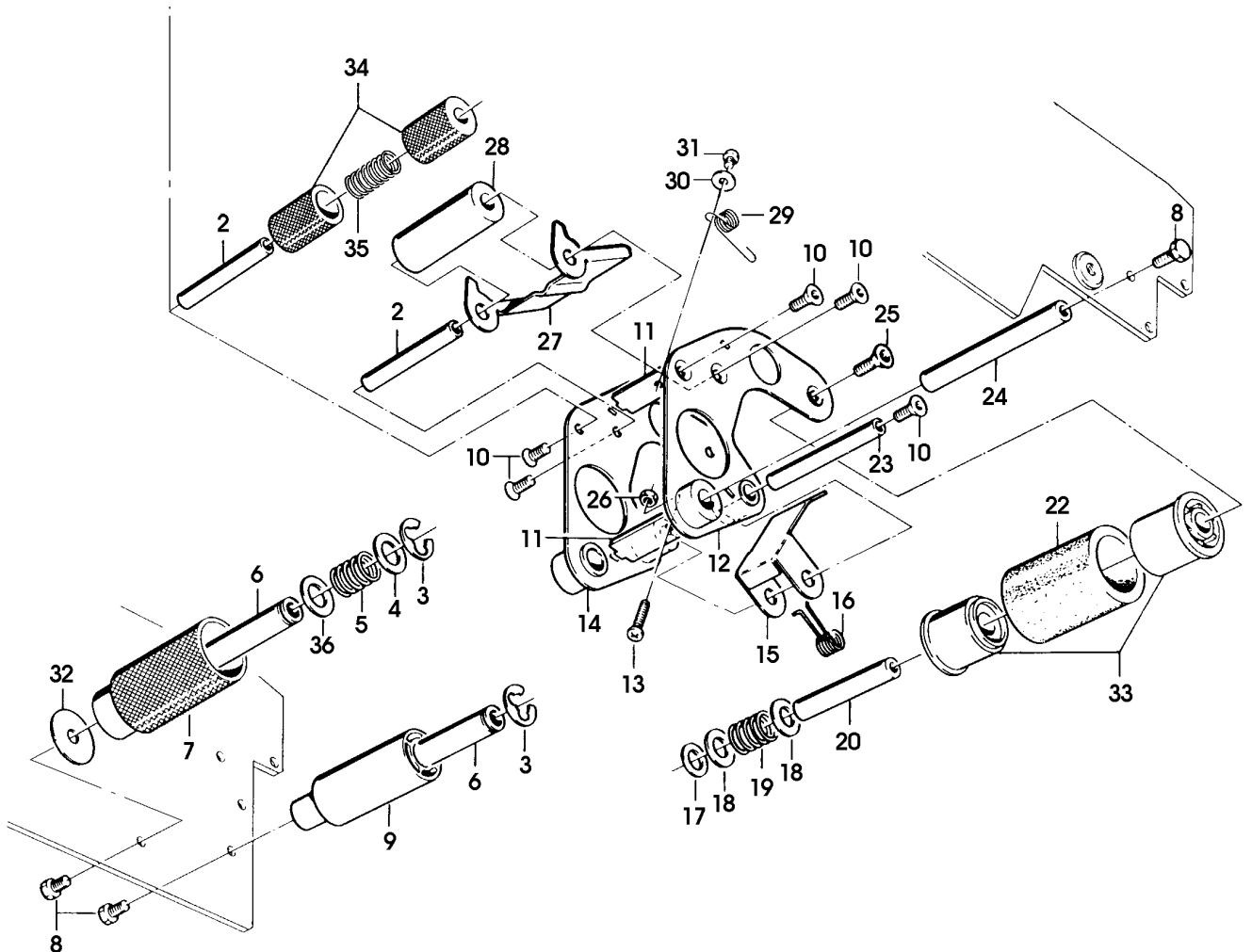
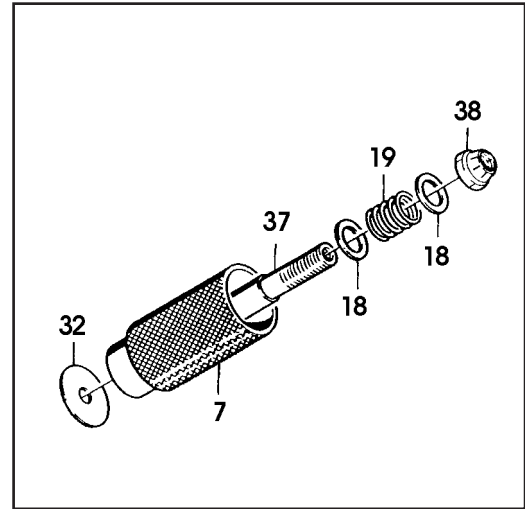


Pos.	Q.tà/Q.ty	Codice/Code	Description	Descrizione
2	2	S332053093A	SHAFT	PERNO PER CONTRASTO TAPE K11-1,1/2" ZIN
3	1	S340089892Z	BENZING' TYPE RING	BENZING 10DIN6799 X ALBERO /12
4	1	S340006293Z	FLAT WASHER	RONDELLA PIANA X VITE M12 ZINC
5	1	S370022694Z	SPRING	MOLLA /11 FILO /1,8 L=16 NIK
6	1	S331361890Z	SHAFT	PERNO PER RULLO K13-1,5"/3M
7	1	S4304736ZZZ	ROLLER	RULLO N/RITORNO K13-1,5" BTM
8	4	S330535693Z	SCREW	VITE TE M6X12 SPEC.
9	1	S3101437ZZZ	ROLLER	RULLO DI RINVIO K13-1,5"
10	6	S340051693Z	SCREW	VITE TSVEI M5X12 ZINCATA
11	2	S320825393A	PLATE	PIASTRINA K11-1,5" ZINC.
12	1	S460423793A	RIGHT SHOULDER	SPALLA DX RULLO ENTRATA K11-1,5"
13	1	S340090293Z	SCREW	VITE TCBCR M4X16 ZINCATA
14	1	S460423893A	LEFT SHOULDER	SPALLA SX RULLO ENTRATA K11-1,5"
15	1	S320214093Z	CONFORMATOR	CONFORMATORE
16	1	S370018194Z	SPRING	MOLLA CONFORMATORE K11 NIKEL
17	1	S3100079ZZZ	NYLON WASHER	RONDELLA NYLON /10,5/18X1
18	4	S340021993Z	FLAT WASHER	RONDELLA PIANA X VITE M10 ZINC
19	2	S370022694Z	SPRING	MOLLA /11 FILO /1,8 L=16 NIK
20	1	S331364790Z	SHAFT	PERNO 10X48 K13-1,5"/3M
22	1	S310184300A	ROLLER	RULLO ENTRATA K11-1,5"
23	1	S332051893A	SHAFT	PERNO PER LEVE K11-1,5" ZINC.
24	1	S350083493Z	SHAFT	PERNO /10X78 K7 L=38
25	2	S330614893Z	SCREW	VITE TSVEI M6X12 SPEC K9-K13 ZINC.
26	1	S340000193Z	NUT	DADO M4 ZINCATO
27	1	S320825493A	TAPE CONTRAST	CONTRASTO NASTRO K11-1,5" ZINC.
28	1	S310184200A	SMOOTH ROLLER	RULLO LISCIO K11-1,5"
29	1	S370029698Z	SPRING	MOLLA CONTRASTO NASTRO K11/K12
30	1	S340003993Z	WASHER	RONDELLA TRIPLA X VITE M4 ZINC
31	1	S340000594Z	SCREW	VITE TCBR M4X6 NIKELATA
32	1	S320320893Z	WASHER	RONDELLA PER RULLO NON RIT. INOX K11/12
33	1	S4304699ZZZ	INNER ROLLER	BUSS RUL ENTRATA IN DUE META' K13-1,5"/
34	2	S3100966ZZZ	PRE-ASSEMB. ROLLER	SEMICORPO RULLINO ZIGRINATO K11
35	1	S370018893Z	SPRING	MOLLA PER RULLO ZIGRINATO K11/K12
36	1	S3100891ZZZ	NYLON WASHER	RONDELLA NYLON 20X12,5X1 H75N
37	1	S331362390Z	SHAFT	PERNO X RULLO FRIZ.K13-1,5"/3M
38	1	S340081896Z	SELF-LOCKING NUT	DADO AUTOBL. NHT-70 M10X1 TROP.
39	1	S4304913ZZZ	KNURLED ROLLER	RULLINO ZIGRINATO ASS.K11 1,5"
40	1	S332051793A	SHAFT, WITH HOLE	PERNO CON FORO X RUL ZIGR. K11-1,5" ZIN
41	1	S3700222ZZZ	SPRING	MOLLA /2,2 FILO/0,4 L=8
42	1	S3400840ZZZ	BALL	SFERA 1/8"

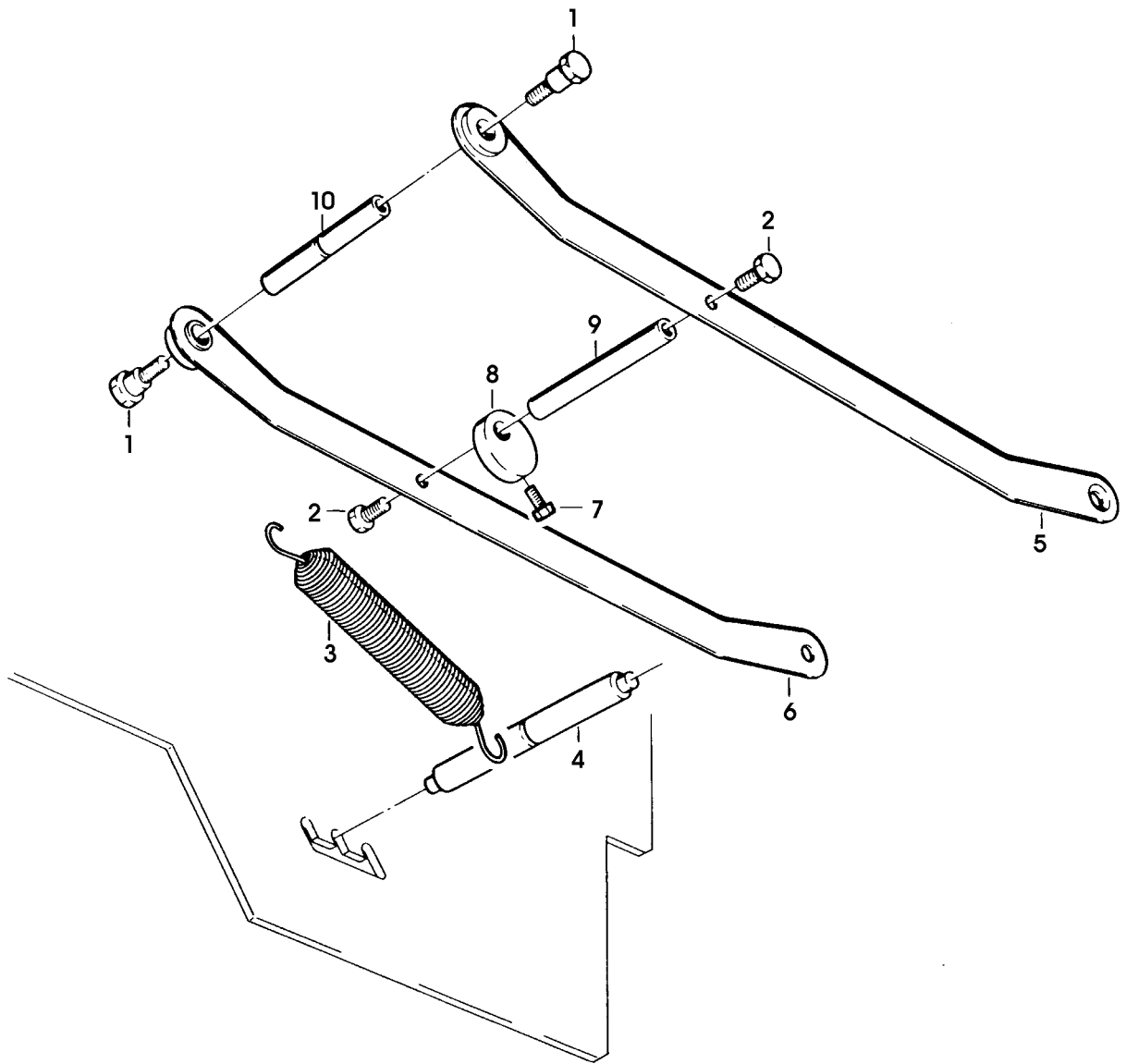
Da Luglio 1994
Since July, 1994



Da Settembre 1992
Since September, 1992



Pos.	Q.tà/Q.ty	Codice/Code	Description	Descrizione
1	2	S330927893Z	SCREW	VITE A COLLETTO PER LEVA ZINC.
2	2	S340005693Z	SCREW	VITE TE M5X10 ZINC
3	1	S370017992Z	SPRING	MOLLA PRINCIPALE BOTTOM BRUNITA
4	1	S332052493A	SPRING ATTACH PIN	ATTACCO MOLLA PRINC K11-1,1/2" ZINC.
5	1	S460384293Z	RIGHT LEVER	LEVA DESTRA IMBUSSOL.
6	1	S460384393Z	LEFT LEVER	LEVA SINISTRA IMBUSSOL.
7	1	S340032993Z	SCREW	VITE TE M5X16 ZINCATA
8	1	S330927693Z	LOCK ECCENTRIC	ECCENTRICO DI FERMO ZINCATO
9	1	S332051893A	LEVERS SHAFT	PERNO PER LEVE K11-1,5" ZINC.
10	1	S332051993A	SPRING ATTACH PIN	PERNO ATTACCO MOLLA K11-1,5" ZINC.

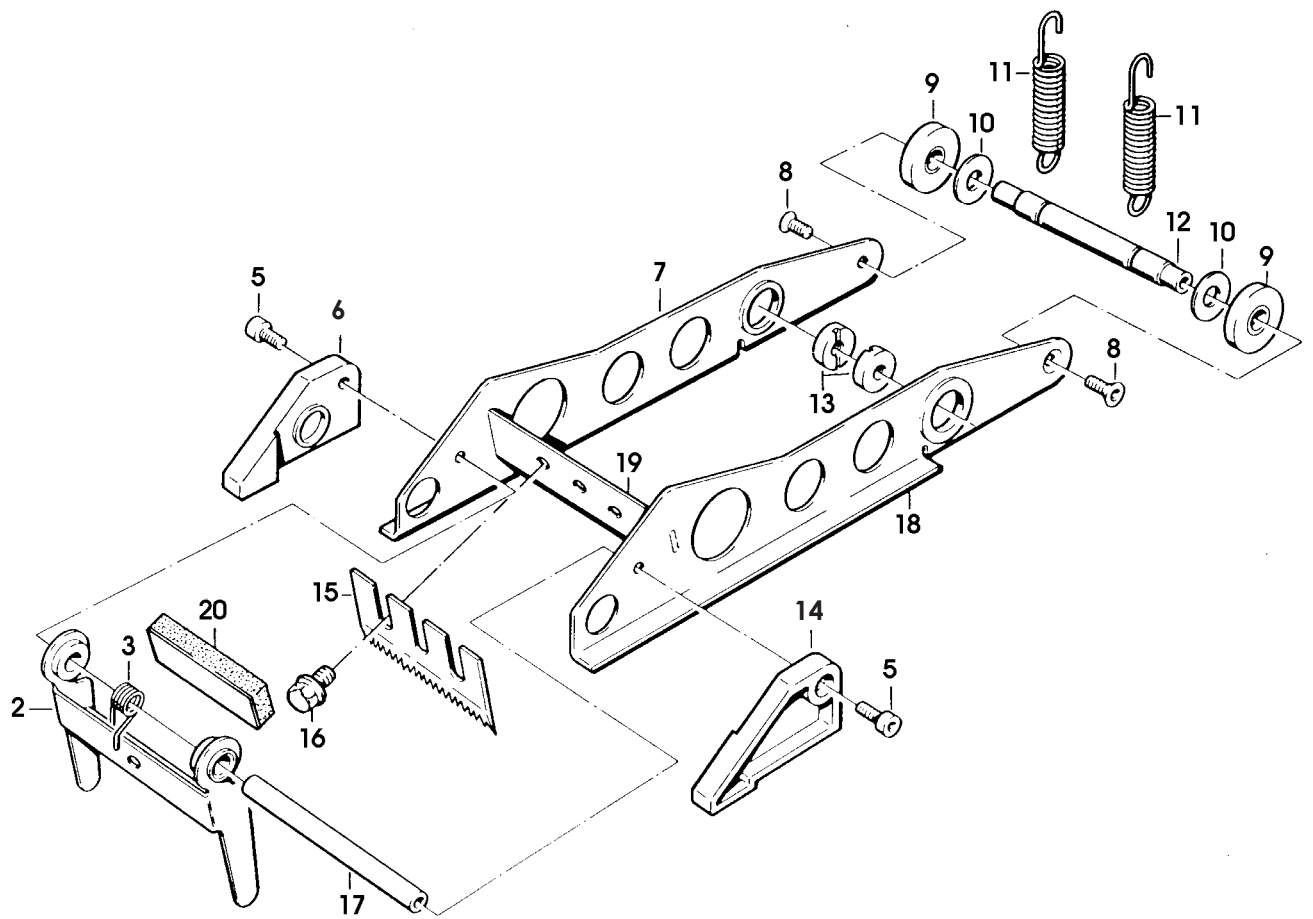


15290

**GRUPPO PORTALAMA
GROUP BLADE**

K11/38

Pos.	Q.tà/Q.ty	Codice/Code	Description	Descrizione
2	1	S320825093A	BLADE PROTECTION	PROTEZIONE LAMA K11-1,5"
3	1	S370018094Z	SPRING BLADE PROT.	MOLLA PROTEZ. LAMA K11 NIKELATA
5	2	S340025693Z	SCREW	VITE TCEI M4X10 ZICATA
6	1	S3100879ZZZ	RIGHT SLIDING	PATTINO DX
7	1	S450384440Z	SHOULDER	SPALLA PORTALAMA DX GIALLA
8	2	S340005493Z	SCREW	VITE TSVEI M4X10 ZINCATA
9	2	S310088105Z	BLADE BUMPER	AMMORTIZZATORI LAMA NERI
10	2	S330928093Z	SIZED WASHER	RANELLA SPEC. GRUP. LATERALE K11 ZINC.
11	2	S370022794Z	SPRING	MOLLA PORTALAMA K9-K13/3M NIK.
12	1	S332050493A	SPRING ATTACH PIN	ATTACCO MOLLA LEVA LAMA ZINC. K11 1,5
13	2	S3300129ZZZ	PIN	PERNO CERNIERA PORTALAMA K
14	1	S3100880ZZZ	LEFT SLIDING	PATTINO SX
15	1	S3202573ZZZ	BLADE	LAMA K7 L=38
16	2	S340102693Z	SCREW	VITE TE A COLLETTO M5X8 ZINC.
17	1	S331368193B	SHAFT	PERNO SUPP.FILI K13-1,5" ZINC.
18	1	S450396140Z	SHOULDER	SPALLA PORTALAMA SX GIALLA
19	1	S320257493Z	BLADE PLATE	PIASTRINA PORTALAMA K7 L=38
20	1	S310184105A	BLADE BUMPER	AMMORTIZZATORE PROTEZ.LAMA K11-1,5"



15291

**GRUPPO PORTALAMA
GROUP BLADE**

K11/38-30

Pos.	Q.tà/Q.ty	Codice/Code	Description	Descrizione
3	1	S320009493Z	BLADE PLATE	PIASTRINA PORTALAMA K7 L=38
4	1	S3202573ZZZ	BLADE	LAMA K7 L=38
5	2	S340102693Z	SCREW	VITE TE A COLLETTO M5X8 ZINC.
6	6	S340006193Z	WASHER	RONDELLA PIANA X VITE M5 ZINC.
7	1	S332050493A	SPRING ATTACH PIN	ATTACCO MOLLA LEVA LAMA ZINC. K11 1,5
8	2	S330928093Z	SIZED WASHER	RANELLA SPEC. GRUPPO LATERALE K11 ZINC.
9	2	S310088105Z	BLADE BUMPER	AMMORTIZ. LAMA NERI
10	2	S340005493Z	SCREW	VITE TSVEI M4X10 ZINCATA
11	2	S370022794Z	SPRING	MOLLA PORTALAMA K9-K13/3M NIK.
12	2	S3300129ZZZ	PIN	PERNO CERNIERA PORTALAMA K
13	1	S450440940Z	SHOULDER	SPALLA PORTALAMA DX C/CERN. K11/30 GIALLA
14	1	S450441040Z	SHOULDER	SPALLA PORTALAMA SX C/CERN. K11/30 GIALLA

