

Replacement Parts Illustrations and Parts Lists

AccuGlide™ II STD 2 Inch Upper Taping Head, Type 39600

AccuGlide™ II STD 2 Inch Lower Taping Head, Type 39600

1. Refer to **Taping Head Assemblies** Figure, page 19 to find all the parts illustrations identified by **figure numbers**.
2. Refer to the figure or figures to determine the **individual parts** required and the **parts reference number**.
3. The **replacement parts list**, that follows each illustration, includes the **part number** and **part description** for the parts in that illustration.

Note – The complete description has been included for standard fasteners and some commercially available components. This has been done to allow obtaining these standard parts locally, should the customer elect to do so.

4. Refer to the first page of this instruction manual "**Replacement Parts and Service Information**" for replacement parts ordering information.

IMPORTANT – Not all the parts listed are normally stocked items. Some parts or assemblies shown are available only on a special order basis. Contact 3M/Tape Dispenser Parts to confirm item availability.

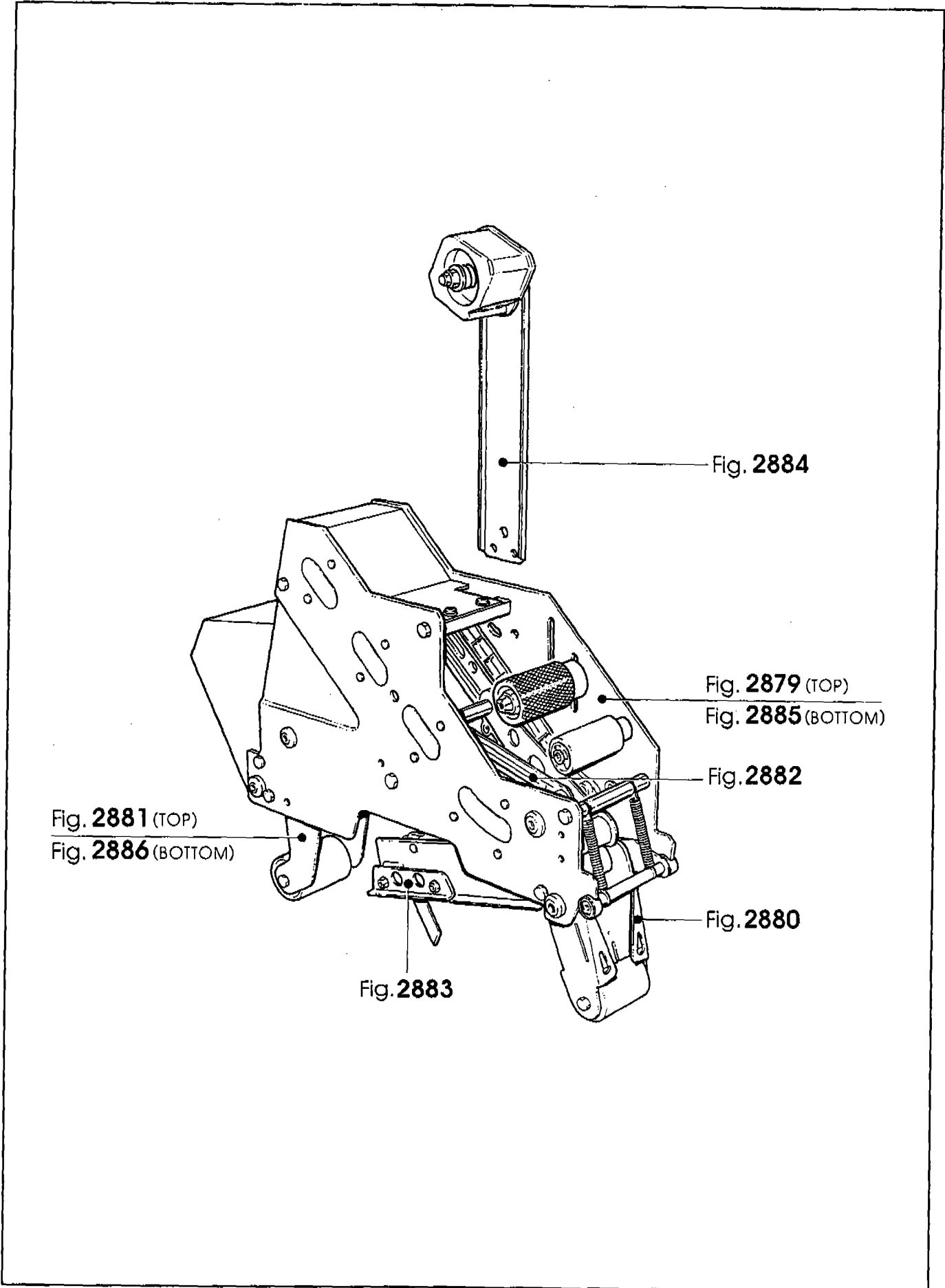


Fig. 2881 (TOP)
Fig. 2886 (BOTTOM)

Fig. 2884

Fig. 2879 (TOP)
Fig. 2885 (BOTTOM)

Fig. 2882

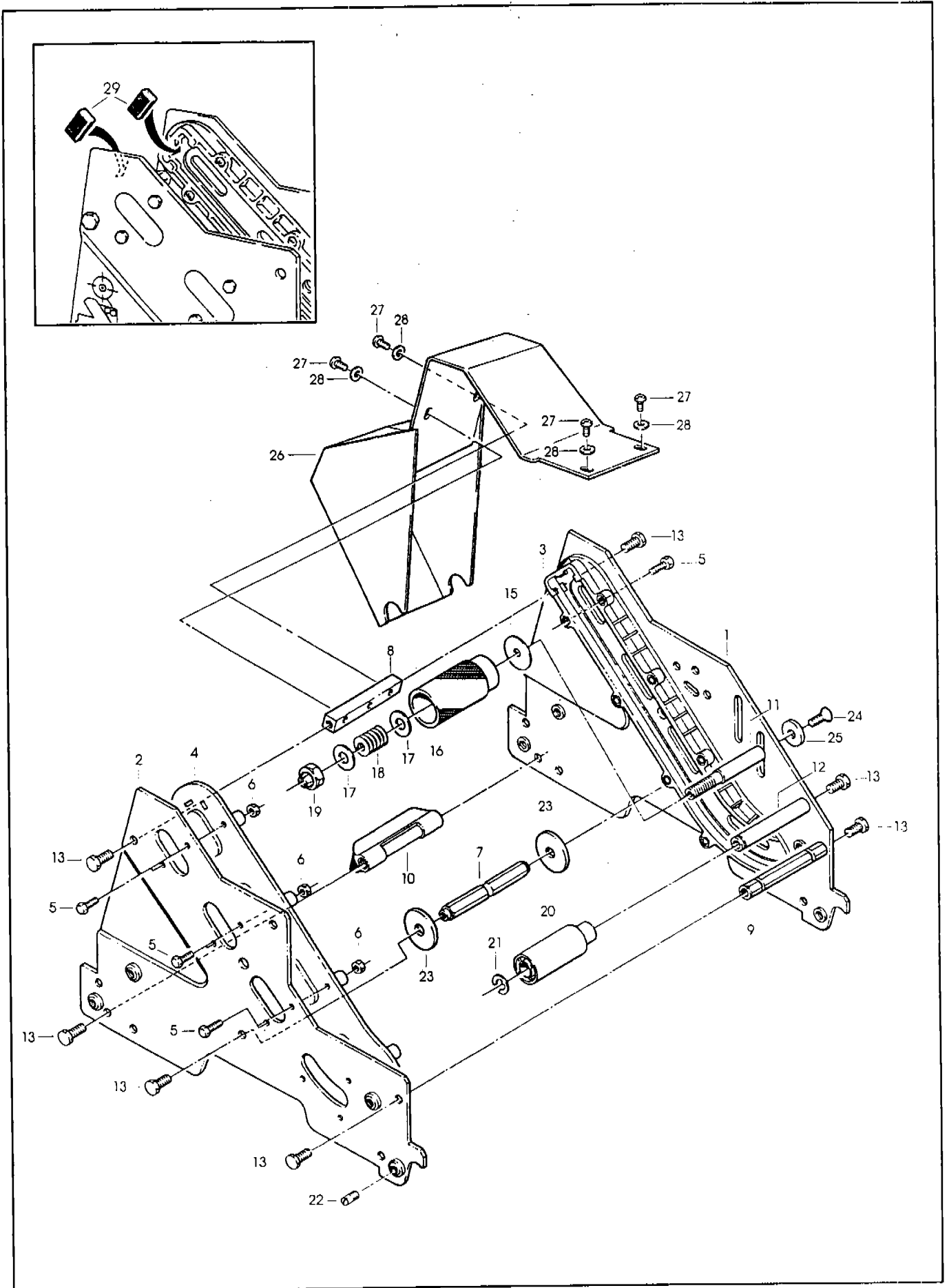
Fig. 2880

Fig. 2883

Figura	Descrizione figura	Magaz.	Codice	Descrizione
2879	GRUPPO SPALLE	0	000000K13TB	ACCUGLIDE HEAD 2" K13 TOP TYPE B

Posizione	Codice	Descrizione	U.M.	Quantita'
1	78807013863	FRAME - TAPE MOUNT UPPER ASS.Y	PZ	1
2	78807013871	FRAME - FRONT UPPER ASS.Y	PZ	1
3	78806841439	GUIDE - #1	PZ	1
4	78806841447	GUIDE - #2	PZ	1
5	83000273363	SCREW - HEX HD M4X14 ZINC.PL	PZ	18
6	78801074168	NUT-METRIC, HEX, STEEL M4	PZ	18
7	78807012519	SPACER - SPRING	PZ	1
8	78805487648	SPACER - 10X10X90MM	PZ	1
9	78805265606	SPACER - FRONT	PZ	1
10	78806079360	BRUSH ASSY	PZ	1
11	78805265648	SHAFT - TENSION ROLLER	PZ	1
12	78805265689	SHAFT - WRAP ROLLER	PZ	1
13	26100358295	SCREW HEX.HD,M6X12	PZ	9
15	78810010096	WASHER - SPECIAL	PZ	1
16	78805265655	ROLLER - TOP TENSION	PZ	1
17	78805265663	WASHER - FRICTION	PZ	2
18	78805265671	SPRING - COMPRESSION	PZ	1
19	78801790771	NUT - SELF-LOCKING M10X1	PZ	1
20	78805265697	ROLLER - WRAP	PZ	1
21	26100016133	RING - RETAINING 10DIN6799	PZ	1
22	78807645003	STUD - MOUNTING	PZ	4
23	78807652421	STOP - CUTOFF FRAME	PZ	2
24	78806081796	SCREW-FLAT HD HEX M6X20	PZ	1
25	78807654773	WASHER - SPECIAL /6.5X20X4	PZ	1
26	78810010476	GUARD - HEAD	PZ	1
27	78806080871	SCREW, METRIC M5X10	PZ	4
28	78800557411	WASHER - FLAT, M5	PZ	4
29	78807647348	BUMPER	PZ	2

=====
===== Data 16/10/96



K13-3M (TOP)

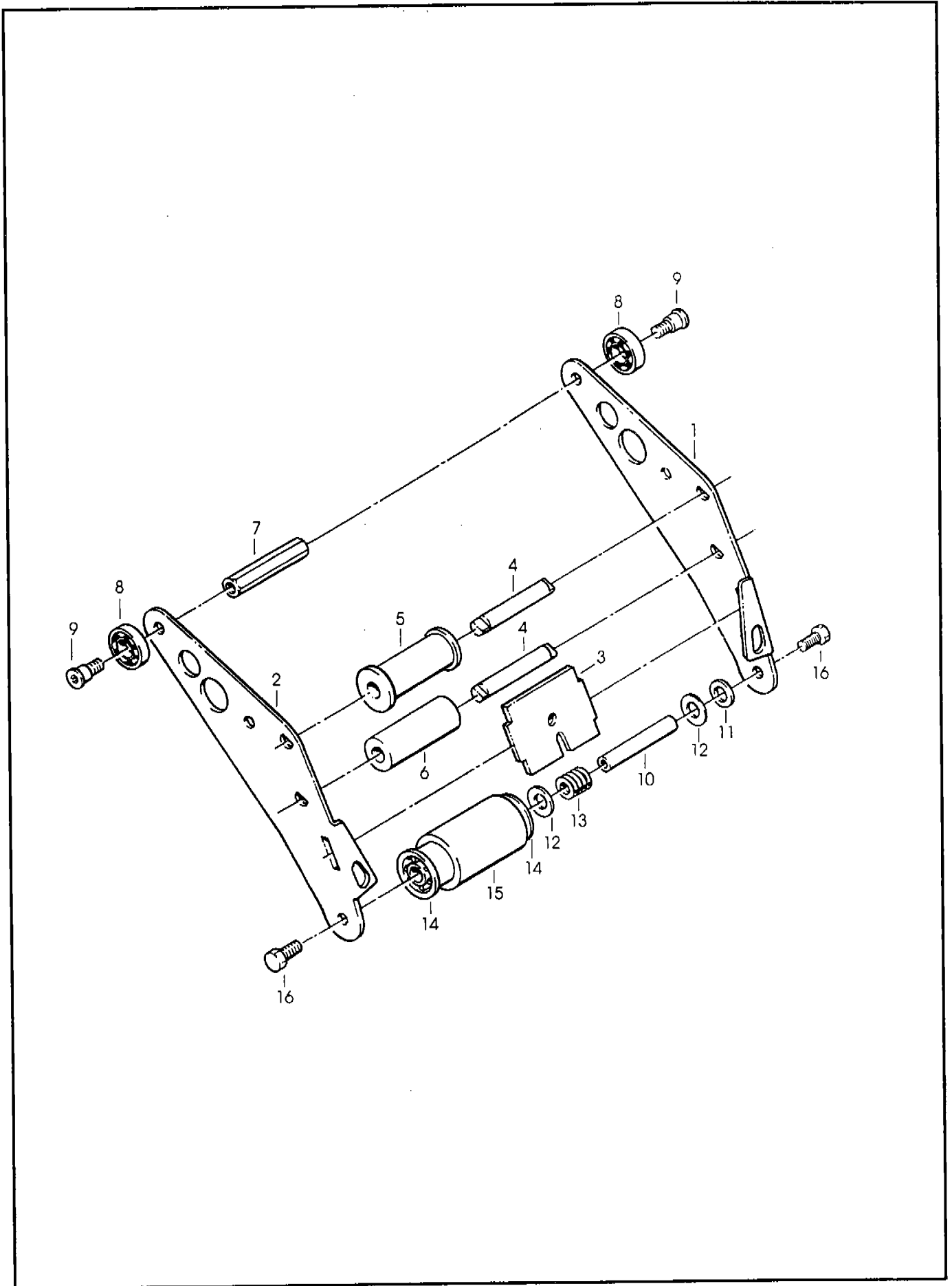
Отт. 96

Fig. **2879**

Figura	Descrizione figura	Magaz.	Codice	Descrizione
2880	GRUPPO ENTRATA	0	78811408281	ACCUGLIDE II - 2". UPPER TYPE 39600

Posizione	Codice	Descrizione	U.M.	Quantita'
1	78807012063	ARM - APPLYING, R/H	PZ	1
2	78807012071	ARM - APPLYING, L/H	PZ	1
3	78807012212	PLATE - TAPE	PZ	1
4	78807013095	SHAFT - ROLLER	PZ	2
5	78807013673	ROLLER - KNURLED ASS'Y	PZ	1
6	78807012667	ROLLER - WRAP	PZ	1
7	78805265804	SPACER - REAR	PZ	1
8	78801790821	BEARING-SPECIAL 30MM	PZ	2
9	78801791068	SCREW-BEARING SHOULDER	PZ	2
10	78805265754	SHAFT - 10x60 W/HEXAGON	PZ	1
11	78801790748	WASHER-NYLON 15MM	PZ	1
12	78805265663	WASHER - FRICTION	PZ	2
13	78805265671	SPRING - COMPRESSION	PZ	1
14	78806083958	BUSHING-APPLYING ROLLER	PZ	1
15	78805761794	ROLLER - APPLYING	PZ	1
16	26100358295	SCREW HEX.HD.M6X12	PZ	2

Data 29/01/98



K13-3M

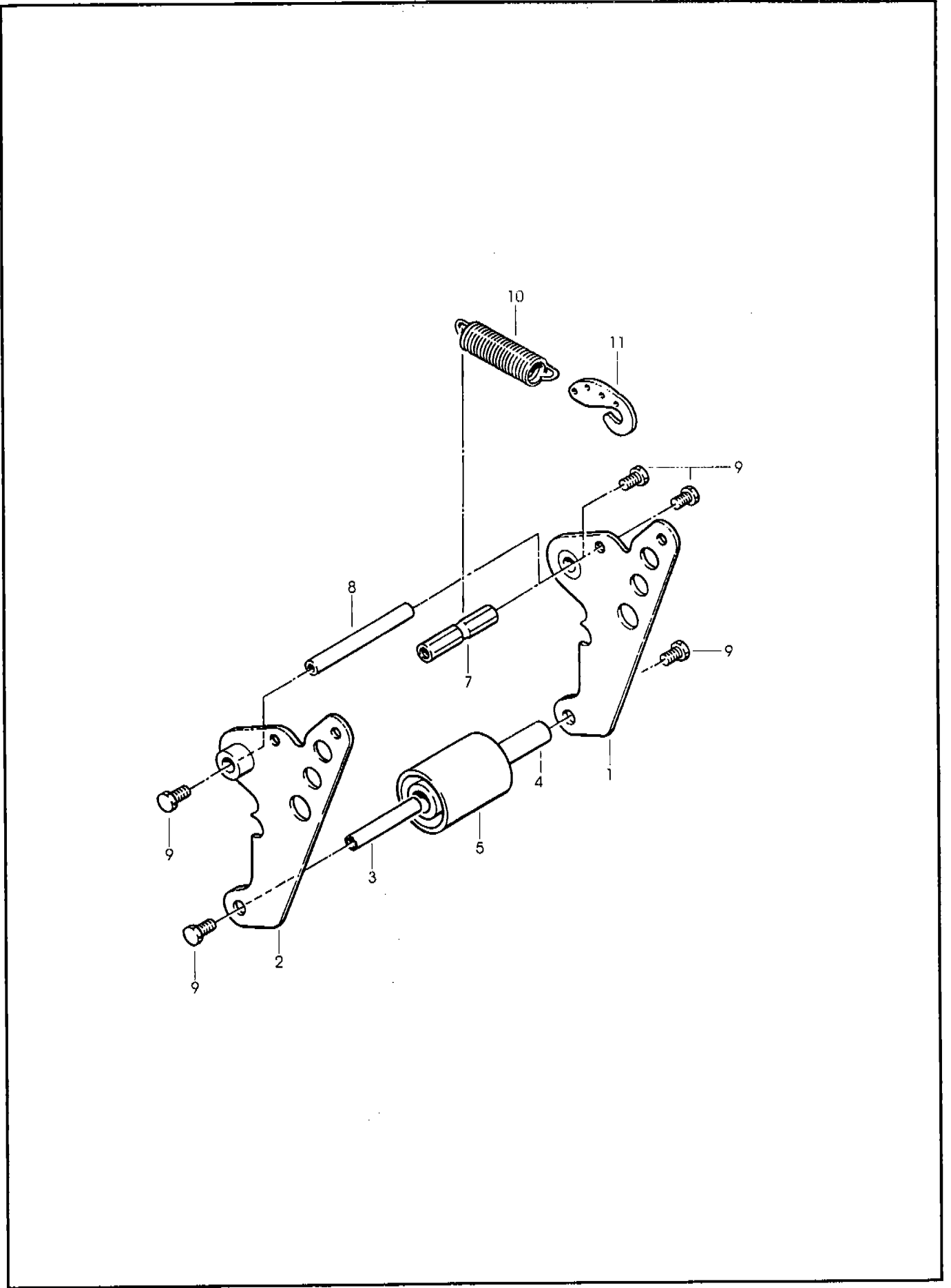
Giu. 96

Fig. 2880

Figura	Descrizione figura	Magaz.	Codice	Descrizione
2881	GRUPPO USCITA	0	000000K13TB	ACCUGLIDE HEAD 2" K13 TOP TYPE B

Posizione	Codice	Descrizione	U.M.	Quantita'
1	78807013921	BUFFING ARM SUB ASS.Y	PZ	1
2	78807013913	BUFFING ARM SUB ASSY	PZ	1
3	78805265754	SHAFT - ROLLER, 10X60	PZ	1
4	78805265861	BUSHING - BUFFING ROLLER	PZ	1
5	78805761786	ROLLER - BUFFING NM	PZ	1
7	78807012204	SPACER - SPRING	PZ	1
8	78801791092	SHAFT-10X90MM	PZ	1
9	26100358295	SCREW HEX.HD.M6X12	PZ	6
10	78807012741	SPRING - UPPER	PZ	1
11	78807012444	HOLDER - SPRING	PZ	1

=====
 ===== Data 04/07/96



K13-3M (TOP)

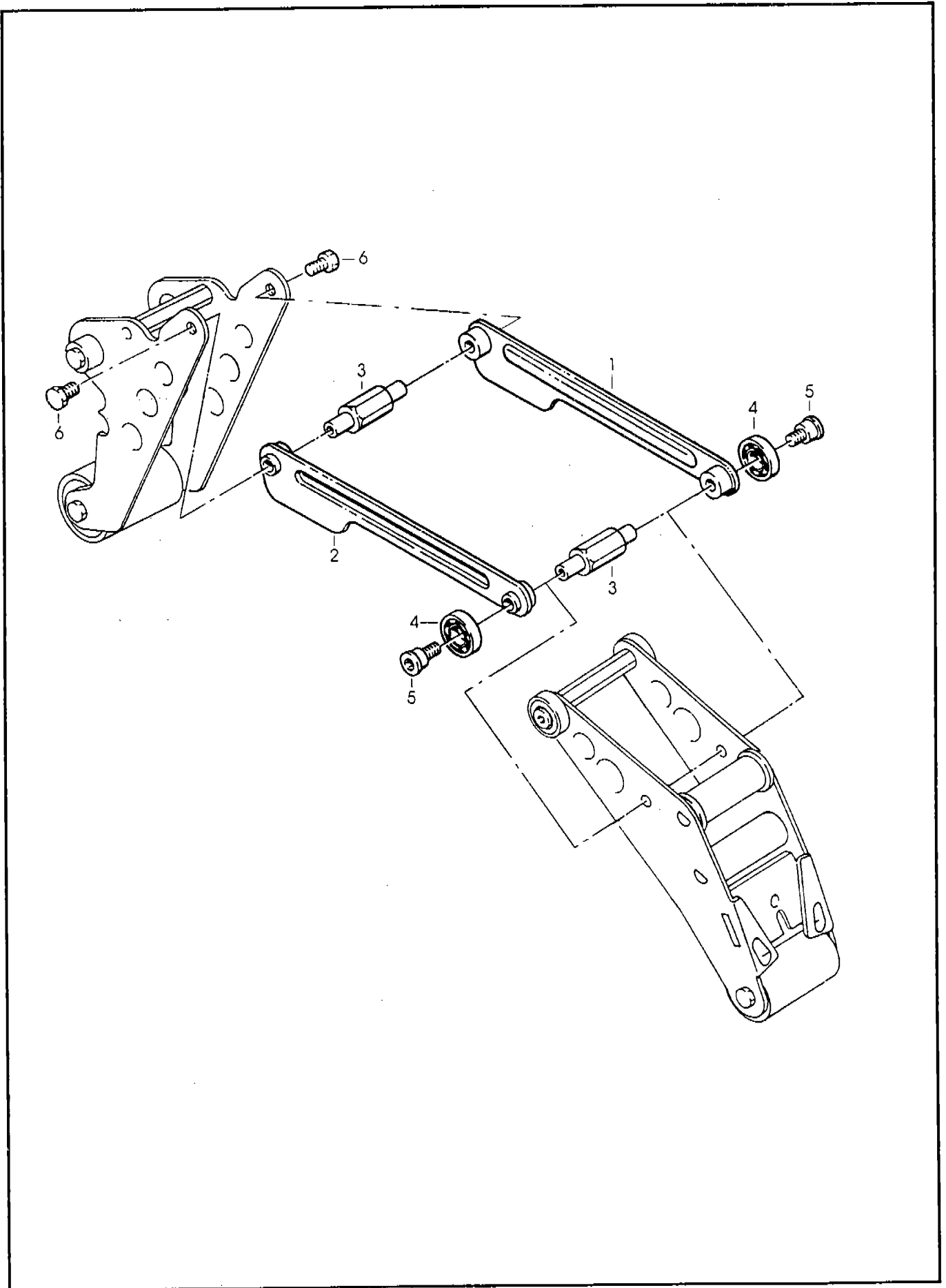
Giu. 96

Fig. **2881**

Figura	Descrizione figura	Magaz.	Codice	Descrizione
2882	GRUPPO LEVE	0	000000K13TB	ACCUGLIDE HEAD 2" K13 TOP TYPE B

Posizione	Codice	Descrizione	U.M.	Quantita'
1	78807013889	LINK - ARM BUSHING ASS.Y	PZ	1
2	78807013897	LINK - ARM BUSHING ASS.Y	PZ	1
3	78807012717	SHAFT - PIVOT	PZ	2
4	78801790821	BEARING-SPECIAL 30MM	PZ	2
5	78801791068	SCREW-BEARING SHOULDER	PZ	2
6	26100358287	SCREW - SPEC., HEX. HD. M6X10	PZ	2

=====
Data 04/07/96



K13-3M

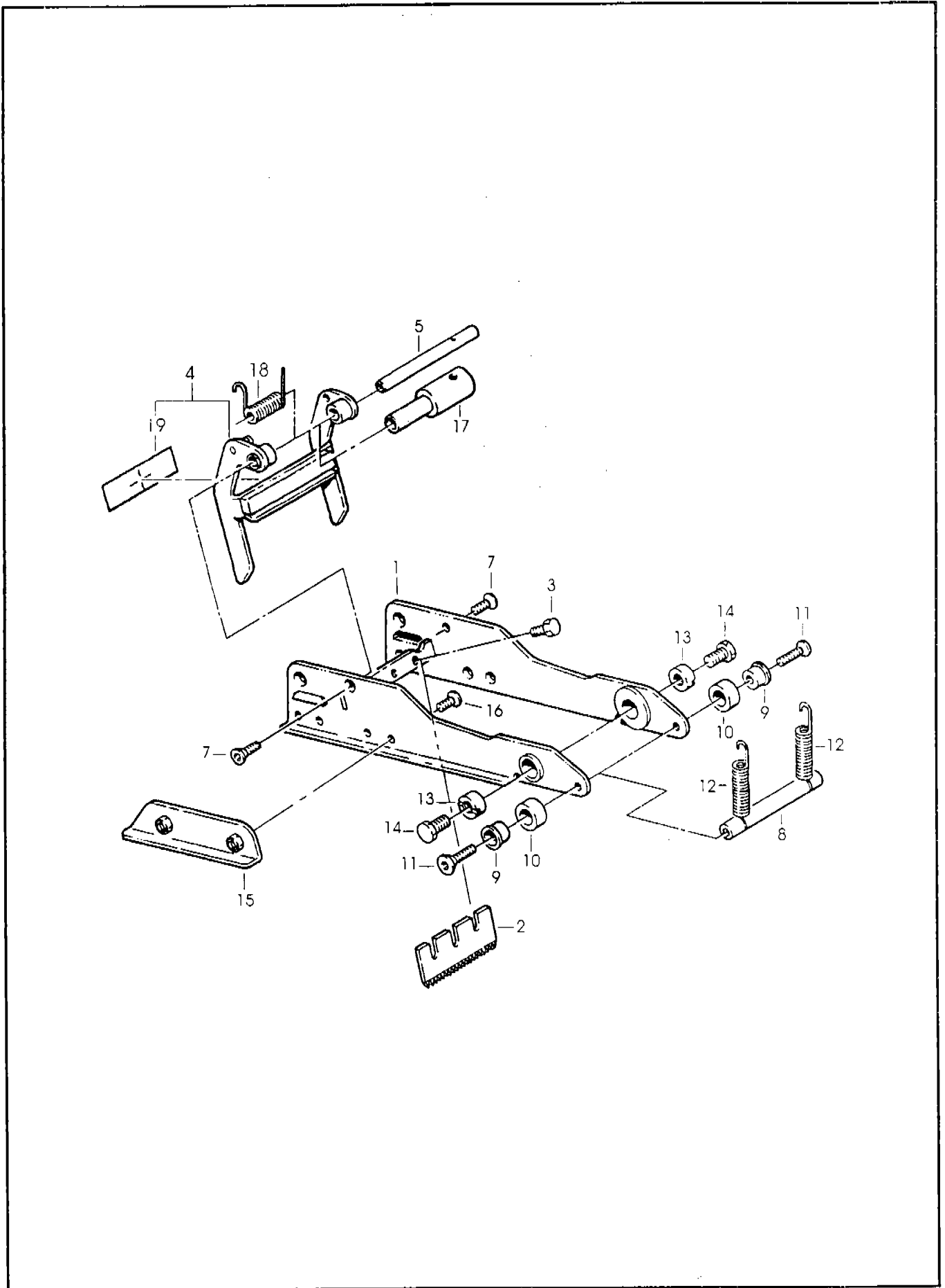
Lug. 96

Fig. 2882

Figura	Descrizione figura	Magaz	Codice	Descrizione
2883	GRUPPO PORTALAMA	0	78811408281	ACCUGLIDE II - 2", UPPER TYPE 39600

Posizione	Codice	Descrizione	U.M.	Quantita'
1	78807012170	FRAME - CUTOFF WELDMENT	PZ	1 B2064
2	78801791738	KNIFE - 65mm/2.56 Inch	PZ	1 B2007
3	26100258172	SCREW - HEX HD M5X8 ZINC.PL	PZ	2 Tech Stock
4	78807013715	GUARD - BLADE ASS'Y	PZ	1 B2017
5	78805265978	SHAFT-BLADE GUARD	PZ	1 B2060
7	26100547582	SCREW - FLAT HD, SOC.DR. M4X10	PZ	2 B2082
8	78801791357	SHAFT - SPACER	PZ	1 B2080
9	78805266000	SPACER	PZ	2 B2045
10	78807012691	BUMPER	PZ	2 B2041
11	26100547574	SCREW - FLAT HD, SOC.DR. M5X20	PZ	2 B2081
12	78805266026	SPRING - CUTTER	PZ	2 B2018
13	78801791324	PIVOT-CUTTER LEVER	PZ	2 B2020
14	26100358287	SCREW - SPEC., HEX. HD. M6X10	PZ	2 -
15	78807012162	SLIDE - EXTENSION	PZ	2 B2123
16	26100865745	SCREW - FLAT HD, PHIL.DR.M4X10	PZ	4 -
17	78811370317	BUSHING - 59.5 mm LONG	PZ	1 -
18	78811370309	SPRING - TORSION	PZ	1 B2166
19	78807013350	LABEL - WARNING, SHARP KNIFE	PZ	1 -

Data 25/03/98



K13-3M

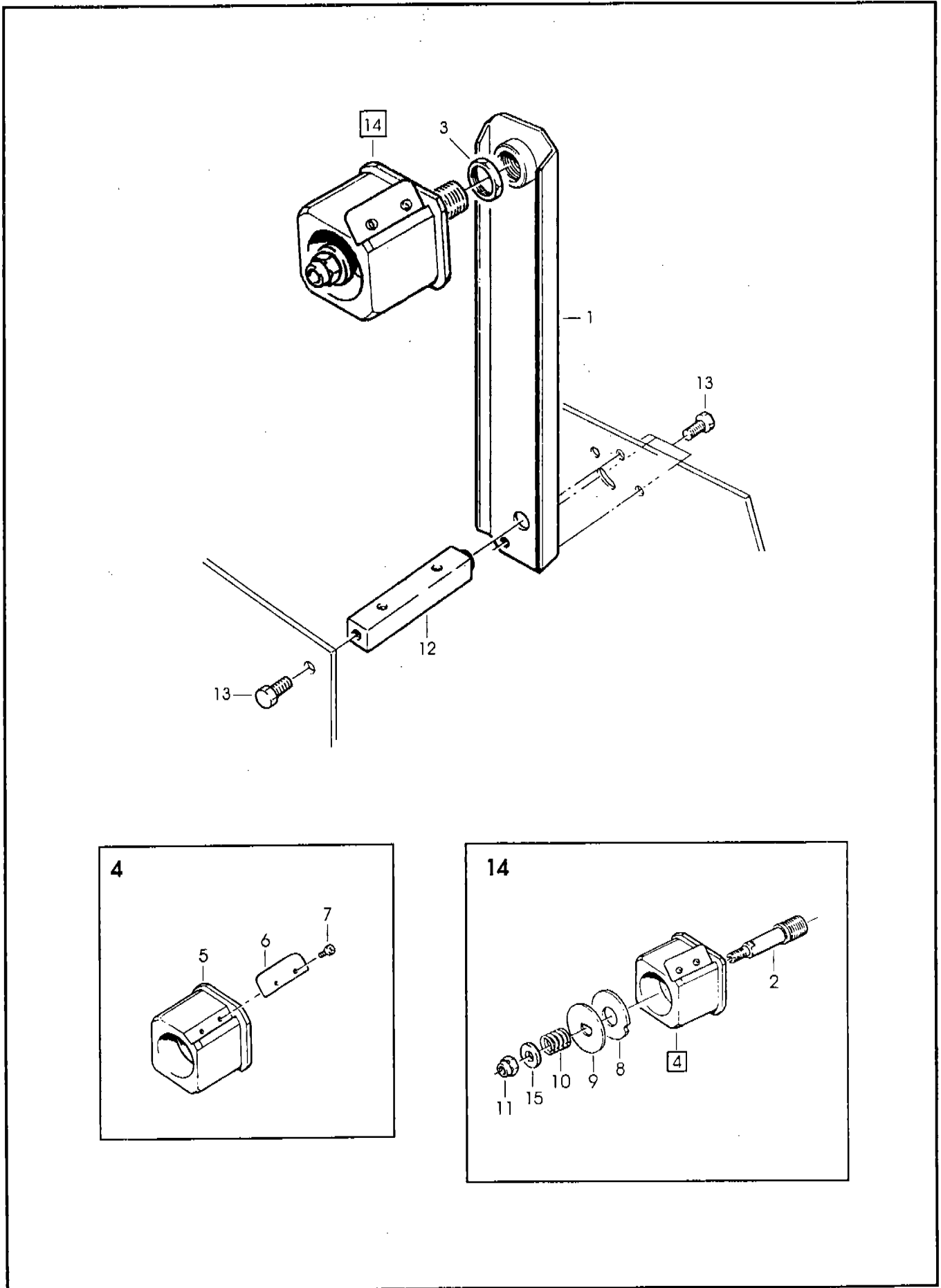
Mar. 98

Fig. 2883

Figura	Descrizione figura	Magaz.	Codice	Descrizione
2884	GRUPPO PORTAROTOLO		0 000000K13TB	ACCUGLIDE HEAD 2" K13 TOP TYPE B

Posizione	Codice	Descrizione	U.M.	Quantita'
1	78807013954	BRACKET - BUSHING ASS.Y	PZ	1
2	78807645193	SHAFT - TAPE DRUM	PZ	1
3	78801791696	NUT-M18X1	PZ	1
4	78807015694	TAPE DRUM ASSY - 2" WIDE	PZ	1
5	78805267495	TAPE DRUM	PZ	1
6	78805262686	LEAF SPRING	PZ	1
7	26100257539	SCREW-SELF TAPPING	PZ	2
8	78806081721	WASHER-FRICTION	PZ	1
9	78805262710	WASHER-TAPE DRUM	PZ	1
10	78810010484	SPRING - CORE HOLDER	PZ	1
11	78801790771	NUT - SELF-LOCKING M10X1	PZ	1
12	78810010468	SPACER - BRACKET	PZ	1
13	26100358295	SCREW HEX.HD.M6X12	PZ	4
14	78806084741	TAPE DRUM ASS.Y 2" HEAD W/O BRACKET/LOCK PLATE	PZ	1
15	26100455109	WASHER - PLAIN, M10	PZ	1

=====
Data 09/07/90



K13-3M

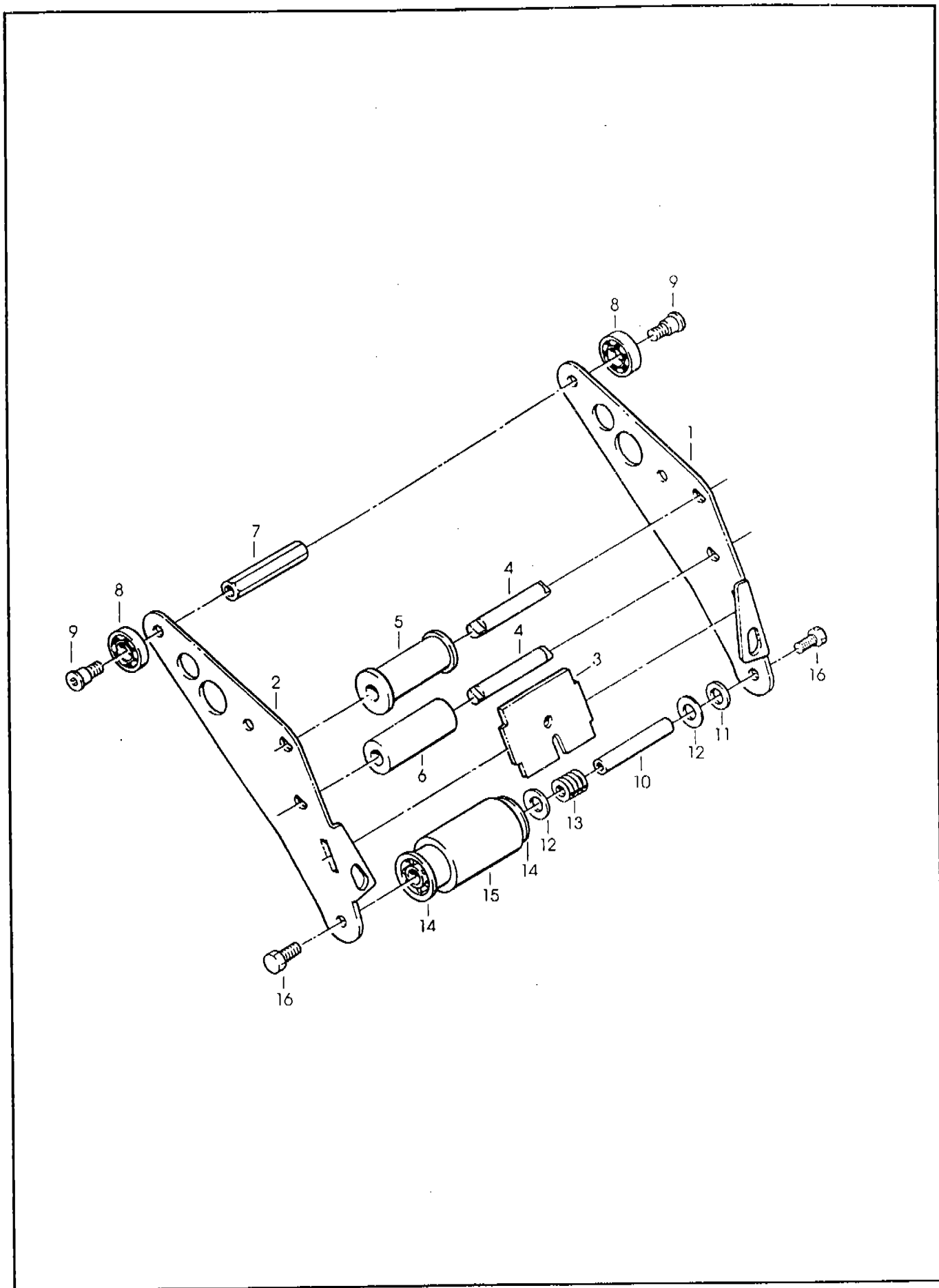
Lug. 96

Fig. **2884**

Figura	Descrizione figura	Magaz.	Codice	Descrizione
2880	GRUPPO ENTRATA	0	78811408299	ACCUGLIDE II - 2". LOWER TYPE 39600

Posizione	Codice	Descrizione	U.M.	Quantita'
1	78807012063	ARM - APPLYING, R/H	PZ	1
2	78807012071	ARM - APPLYING, L/H	PZ	1
3	78807012212	PLATE - TAPE	PZ	1
4	78807013095	SHAFT - ROLLER	PZ	2
5	78807013673	ROLLER - KNURLED ASS'Y	PZ	1
6	78807012667	ROLLER - WRAP	PZ	1
7	78805265804	SPACER - REAR	PZ	1
8	78801790821	BEARING-SPECIAL 30MM	PZ	2
9	78801791068	SCREW-BEARING SHOULDER	PZ	2
10	78805265754	SHAFT - 10x60 W/HEXAGON	PZ	1
11	78801790748	WASHER-NYLON 15MM	PZ	1
12	78805265663	WASHER - FRICTION	PZ	2
13	78805265671	SPRING - COMPRESSION	PZ	1
14	78806083958	BUSHING-APPLYING ROLLER	PZ	1
15	78805761794	ROLLER - APPLYING	PZ	1
16	26100358295	SCREW HEX.HD.M6X12	PZ	2

Data 29/01/96



K13-3M

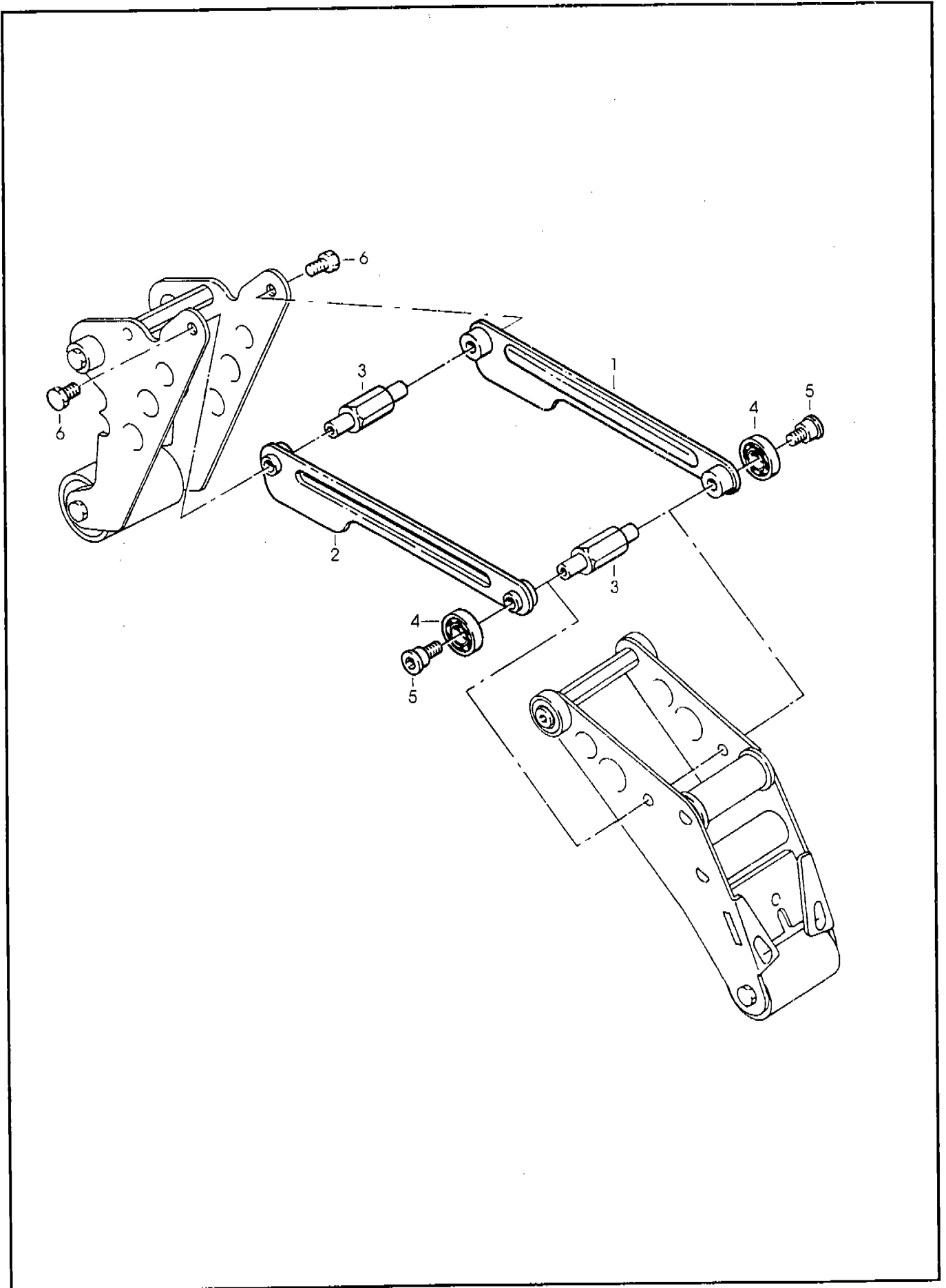
Giu. 96

Fig. 2880

Figura	Descrizione figura	Magaz.	Codice	Descrizione
2882	GRUPPO LEVE	0	000000K1388	ACCUGLIDE HEAD 2" K13 BOTTOM TYPE B

Posizione	Codice	Descrizione	U.M.	Quantita'
1	78807013889	LINK - ARM BUSHING ASS.Y	PZ	1
2	78807013897	LINK - ARM BUSHING ASS.Y	PZ	1
3	78807012717	SHAFT - PIVOT	PZ	2
4	78801790821	BEARING-SPECIAL 30MM	PZ	2
5	78801791068	SCREW-BEARING SHOULDER	PZ	2
6	26100358287	SCREW - SPEC., HEX. HD. M6X10	PZ	2

=====
Data 04/07/96



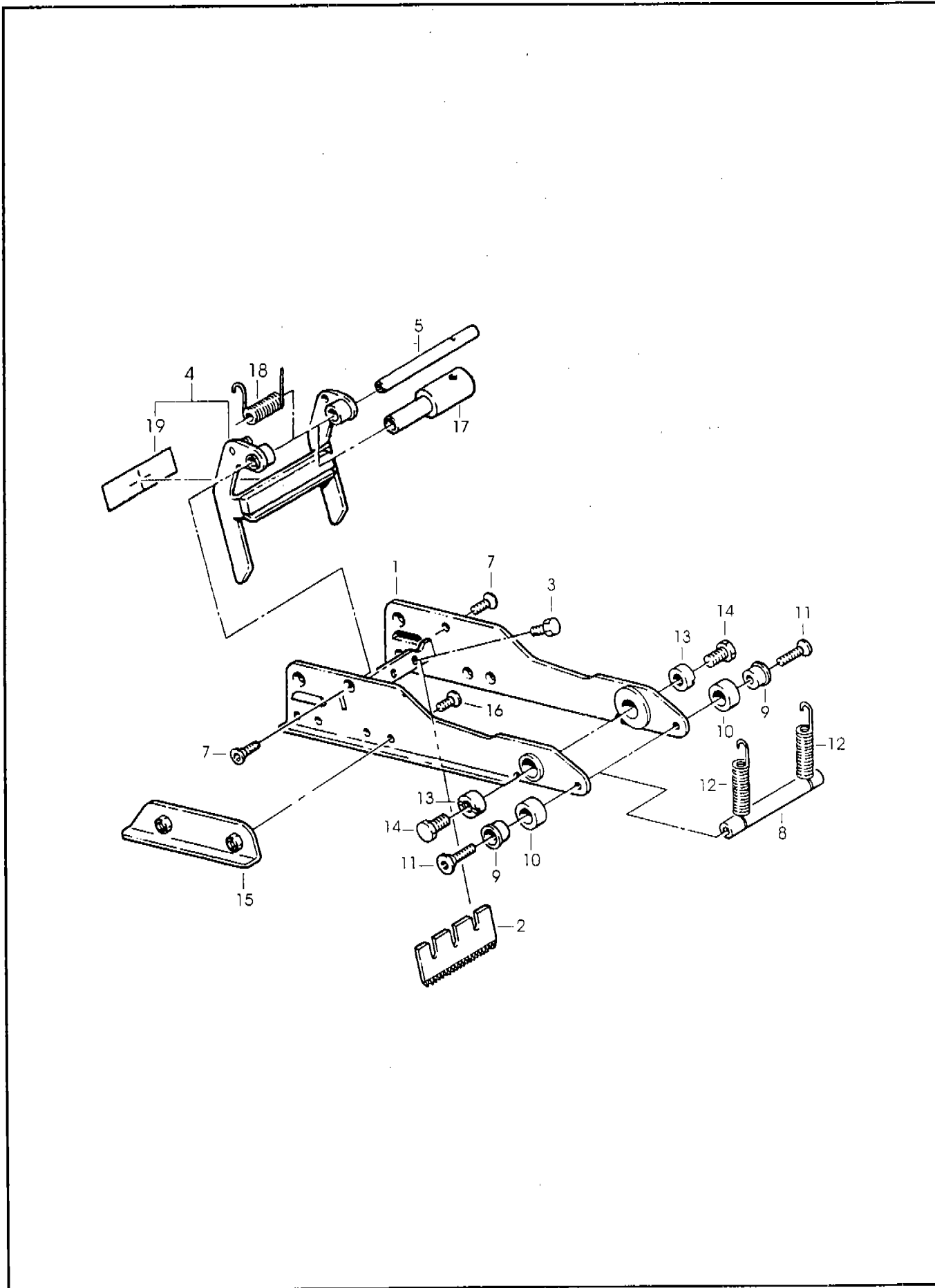
K13-3M

Lug. 96

Fig. 2882

Figura	Descrizione figura	Magaz.	Codice	Descrizione
2883	GRUPPO PORTALAMA	0	78811408299	ACCUGLIDE II - 2". LOWER TYPE 39600

Posizione	Codice	Descrizione	U.M.	Quantita'
1	78807012170	FRAME - CUTOFF WELDMENT	PZ	1
2	78801791738	KNIFE - 65mm/2.56 Inch	PZ	1
3	26100258172	SCREW - HEX HD M5X8 ZINC.PL	PZ	2
4	78807013715	GUARD - BLADE ASS'Y	PZ	1
5	78805265978	SHAFT-BLADE GUARD	PZ	1
7	26100547582	SCREW - FLAT HD, SOC.DR. M4X10	PZ	2
8	78801791357	SHAFT - SPACER	PZ	1
9	78805266000	SPACER	PZ	2
10	78807012691	BUMPER	PZ	2
11	26100547574	SCREW - FLAT HD, SOC.DR. M5X20	PZ	2
12	78805266026	SPRING - CUTTER	PZ	2
13	78801791324	PIVOT-CUTTER LEVER	PZ	2
14	26100358287	SCREW - SPEC., HEX. HD. M6X10	PZ	2
15	78807012162	SLIDE - EXTENSION	PZ	2
16	26100865745	SCREW - FLAT HD, PHIL.DR.M4X10	PZ	4
17	78811370317	BUSHING - 59.5 mm LONG	PZ	1
18	78811370309	SPRING - TORSION	PZ	1
19	78807013350	LABEL - WARNING, SHARP KNIFE	PZ	1



K13-3M

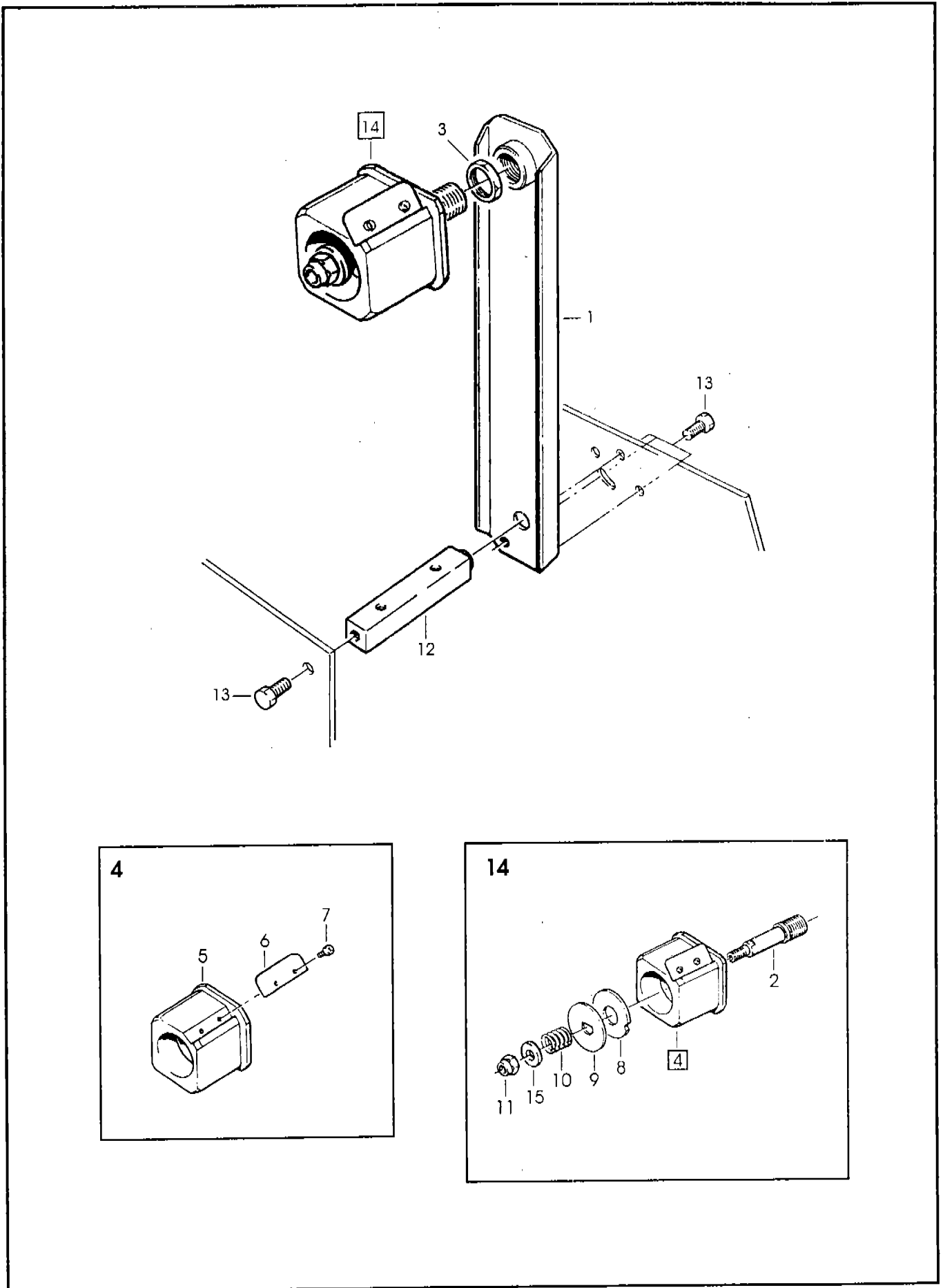
Mar. 98

Fig. 2883

Figura	Descrizione figura	Magaz.	Codice	Descrizione
2884	GRUPPO PORTAROTOLO	0	000000K1388	ACCUGLIDE HEAD 2" K13 BOTTOM TYPE B

Posizione	Codice	Descrizione	U.M.	Quantita'
1	78807013954	BRACKET - BUSHING ASS.Y	PZ	1
2	78807645193	SHAFT - TAPE DRUM	PZ	1
3	78801791696	NUT-M18X1	PZ	1
4	78807015694	TAPE DRUM ASSY - 2" WIDE	PZ	1
5	78805267495	TAPE DRUM	PZ	1
6	78805262686	LEAF SPRING	PZ	1
7	26100257539	SCREW-SELF TAPPING	PZ	2
8	78806081721	WASHER-FRICTION	PZ	1
9	78805262710	WASHER-TAPE DRUM	PZ	1
10	78810010484	SPRING - CORE HOLDER	PZ	1
11	78801790771	NUT - SELF-LOCKING M10X1	PZ	1
12	78810010468	SPACER - BRACKET	PZ	1
13	26100358295	SCREW HEX.HD.M6X12	PZ	4
14	78806084741	TAPE DRUM ASS.Y 2" HEAD W/O BRACKET/LOCK PLATE	PZ	1
15	26100455109	WASHER - PLAIN, M10	PZ	1

=====
===== Data 09/07/96 =



K13-3M

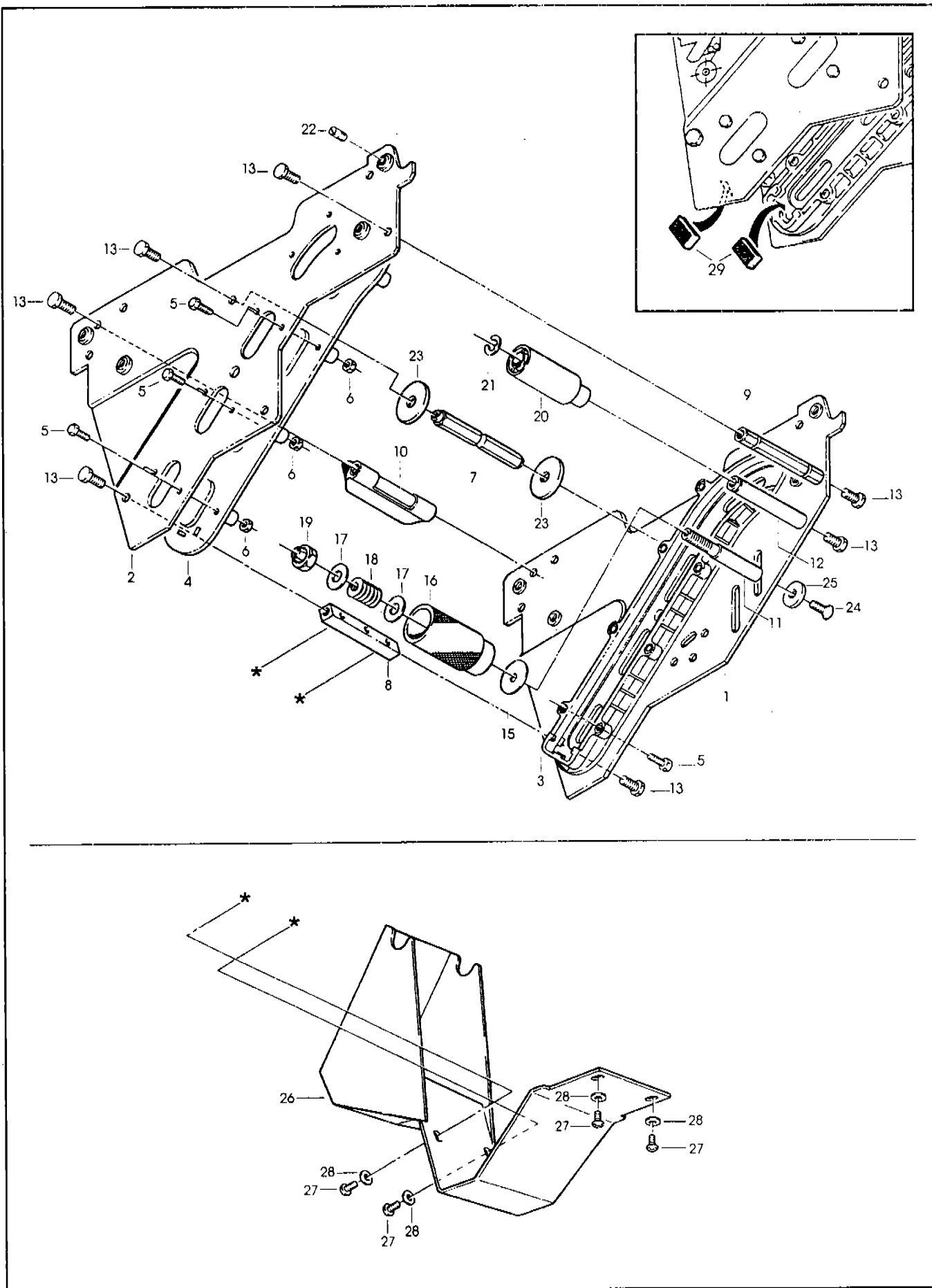
Lug. 96

Fig. 2884

Figura	Descrizione figura	Magaz.	Codice	Descrizione
2885	GRUPPO SPALLE	0	000000K138B	ACCUGLIDE HEAD 2 ^a K13 BOTTOM TYPE B

Posizione	Codice	Descrizione	U.M.	Quantita'
1	78807013699	FRAME - TAPE MOUNT LOWER ASSY	PZ	1
2	78807013707	FRAME - FRONT LOWER ASSY	PZ	1
3	78806841447	GUIDE - #2	PZ	1
4	78806841439	GUIDE - #1	PZ	1
5	83000273363	SCREW - HEX HD M4X14 ZINC.PL	PZ	18
6	78801074168	NUT-METRIC, HEX, STEEL M4	PZ	18
7	78807012519	SPACER - SPRING	PZ	1
8	78805487648	SPACER - 10X10X90MM	PZ	1
9	78805265606	SPACER - FRONT	PZ	1
10	78806079360	BRUSH ASSY	PZ	1
11	78805265648	SHAFT - TENSION ROLLER	PZ	1
12	78805265689	SHAFT - WRAP ROLLER	PZ	1
13	26100358295	SCREW HEX.HD.M6X12	PZ	9
15	78810010096	WASHER - SPECIAL	PZ	1
16	78805266067	ROLLER - TENSION BOTTOM	PZ	1
17	78805265663	WASHER - FRICTION	PZ	2
18	78805265671	SPRING - COMPRESSION	PZ	1
19	78801790771	NUT - SELF-LOCKING M10X1	PZ	1
20	78805265697	ROLLER - WRAP	PZ	1
21	26100016133	RING - RETAINING 100IN6799	PZ	1
22	78807645003	STUD - MOUNTING	PZ	4
23	78807652421	STOP - CUTOFF FRAME	PZ	2
24	78806081796	SCREW-FLAT HD HEX M6X20	PZ	1
25	78807654773	WASHER - SPECIAL /6.5X20X4	PZ	1
26	78810010476	GUARD - HEAD	PZ	1
27	78806080871	SCREW, METRIC M5X10	PZ	4
28	78800557411	WASHER - FLAT, M5	PZ	4
29	78807647348	BUMPER	PZ	2

=====
Data 16/10/96 :



K13-3M (BOTTOM)

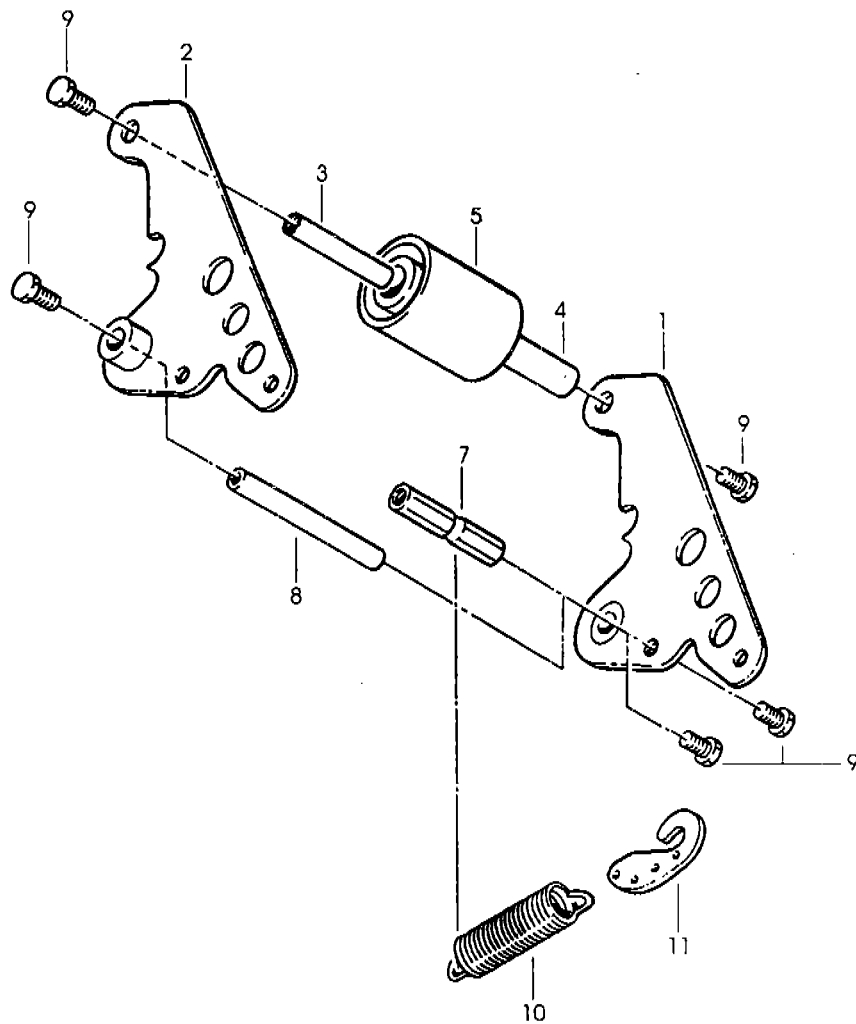
Ott. 96

Fig. 2885

Figura	Descrizione figura	Magaz.	Codice	Descrizione
2886	GRUPPO USCITA		0 00000K1388	ACCUGLIDE HEAD 2" K13 BOTTOM TYPE B

Posizione	Codice	Descrizione	U.M.	Quantita'
1	78807013913	BUFFING ARM SUB ASSY	PZ	1
2	78807013921	BUFFING ARM SUB ASS.Y	PZ	1
3	78805265754	SHAFT - ROLLER, 10X60	PZ	1
4	78805265861	BUSHING - BUFFING ROLLER	PZ	1
5	78805761786	ROLLER - BUFFING NM	PZ	1
7	78807012204	SPACER - SPRING	PZ	1
8	78801791092	SHAFT-10X90MM	PZ	1
9	26100358295	SCREW HEX.HD.M6X12	PZ	6
10	78807012733	SPRING - LOWER	PZ	1
11	78807012444	HOLDER - SPRING	PZ	1

===== Data 04/07/96 =



K13-3M (BOTTOM)

Giù. 96

Fig. **2886**