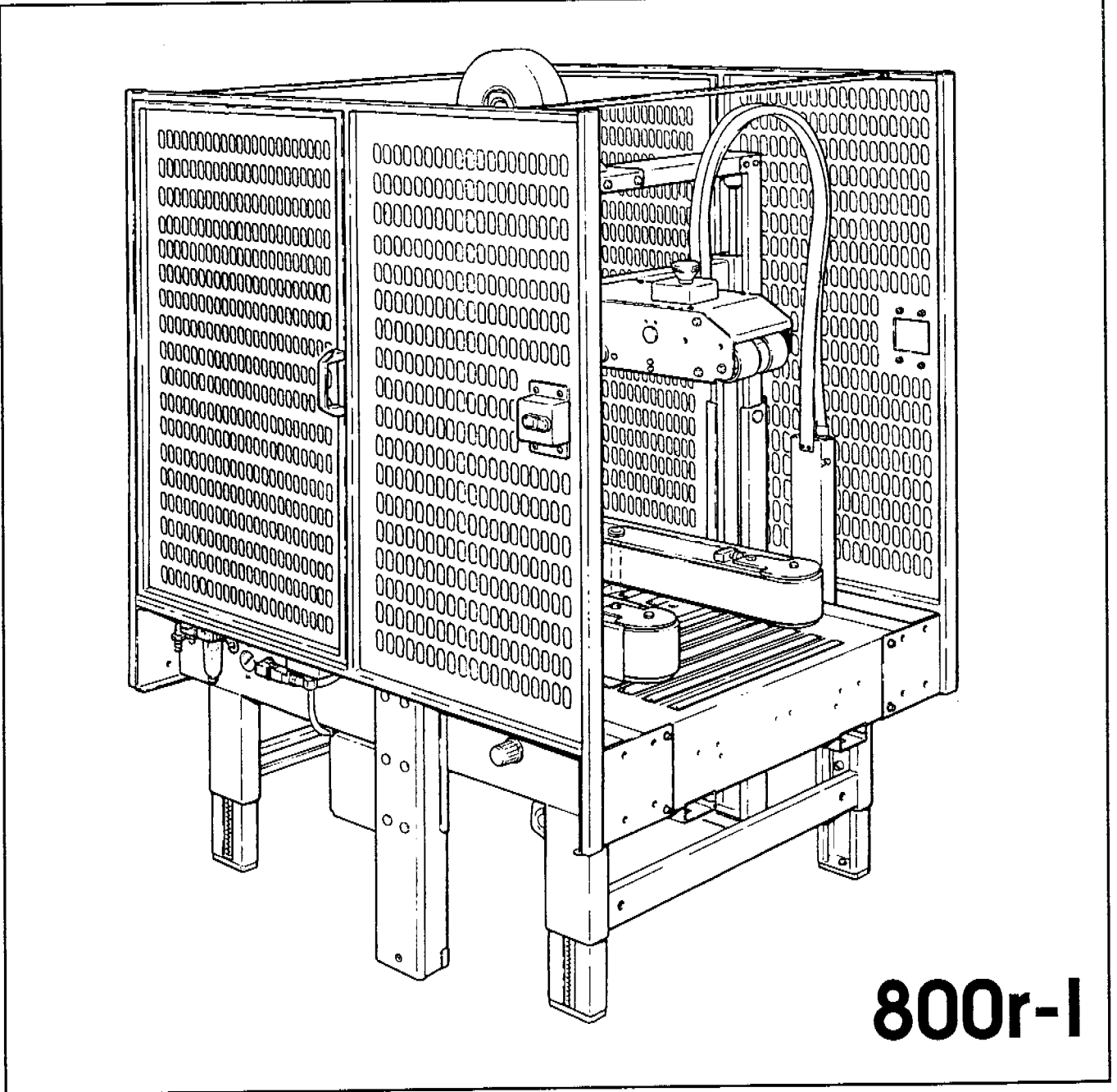


**3M**



**800r-I**

**SPARE PARTS LIST**

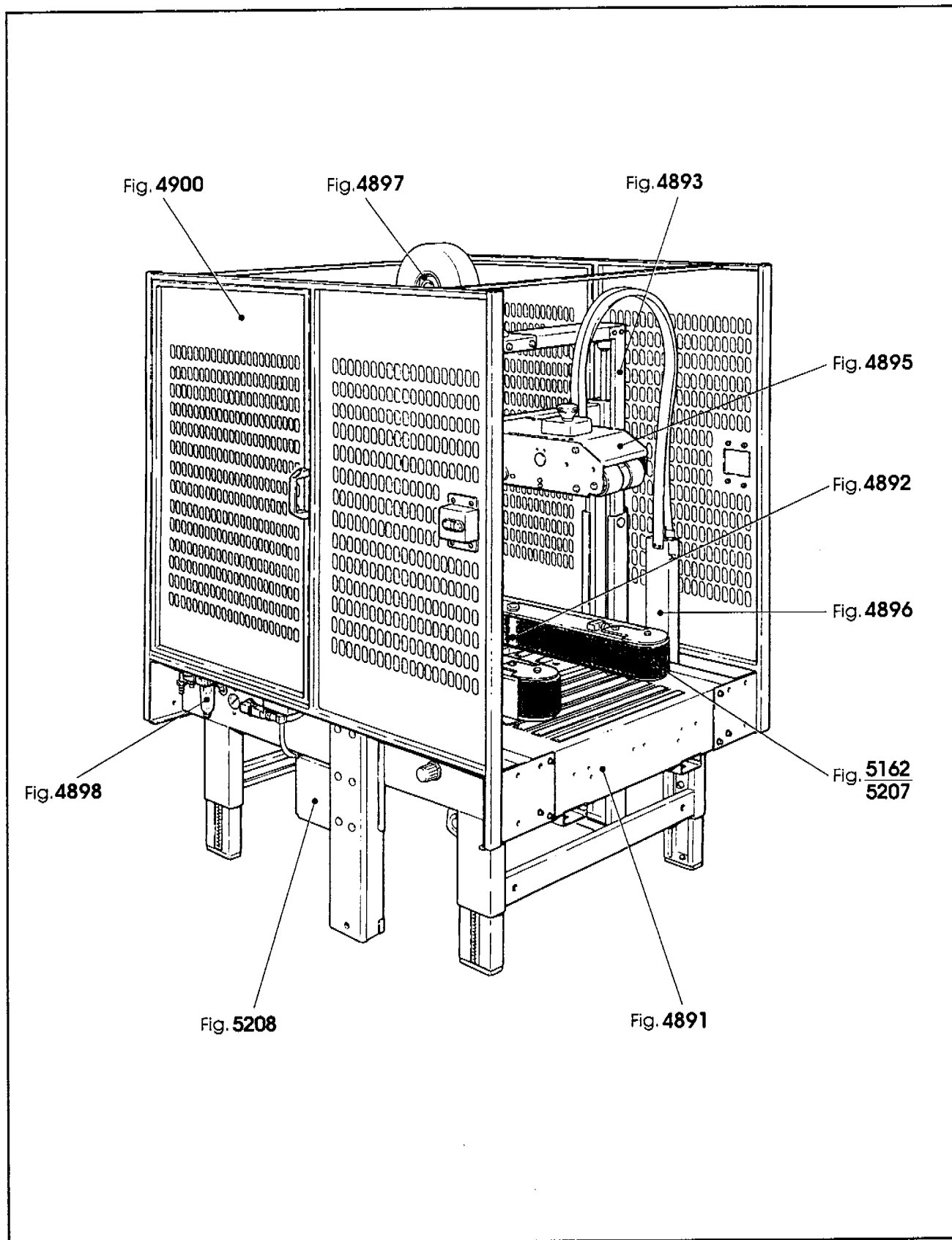
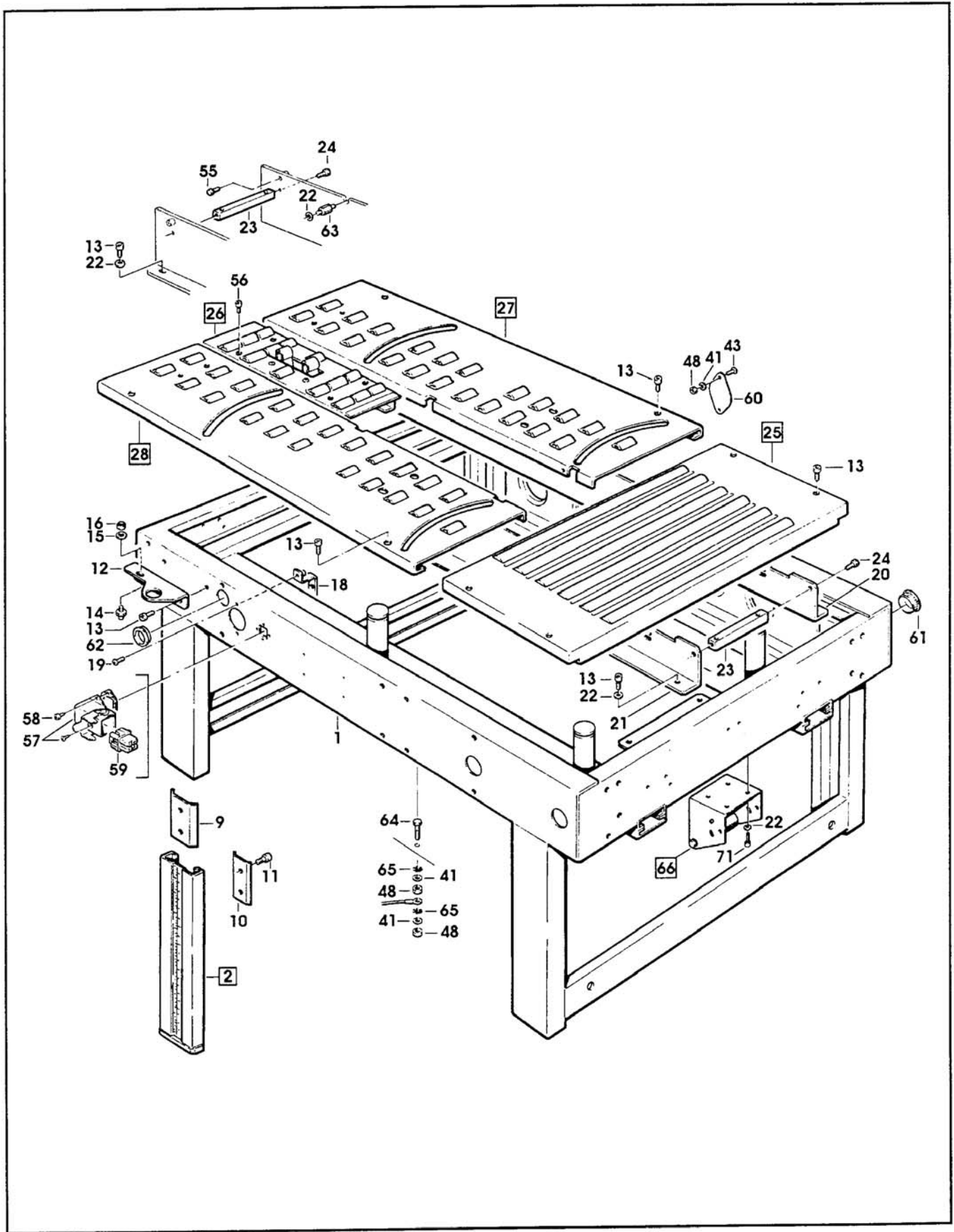


Figura	Descrizione figura	Magaz.	Codice sec.	Descrizione
4891,00	BANCALE		0 78809548833	800r-I RANDOM CASE SEALER, Type 19500

Posizione	Cod. ric. sec.	Descrizione	U.M.	Quantita'
1,0	78809463884	BED ASSY - CONVEYOR	PZ	1,000
2,0	78809464866	LEG ASSY - INNER	PZ	4,000
3,0	78809463900	LEG - INNER	PZ	4,000
4,0	78806084808	PAD - FOOT	PZ	4,000
5,0	78805508674	SCREW HEX HD. M8X30	PZ	4,000
6,0	26100455075	WASHER M8	PZ	4,000
7,0	78801793130	NUT SELF LOCKING M8 NICK.PL.	PZ	4,000
8,0	78809464874	LABEL - LEG	PZ	4,000
9,0	78805266778	CLAMP - INNER	PZ	4,000
10,0	78805266760	CLAMP - OUTER	PZ	4,000
11,0	26100379630	SCREW - SOC. HD. M8X16	PZ	8,000
12,0	78809463926	BRACKET	PZ	1,000
13,0	78801072097	SCREW, SOC.HD.M6X12	PZ	14,000
14,0	78809106137	SHAFT - VALVE	PZ	1,000
15,0	78804229199	WASHER - TRIPLE, M6	PZ	3,000
16,0	26100369169	NUT LOCKING PLASTIC INSERT M6	PZ	3,000
18,0	78807645359	BRACKET	PZ	1,000
19,0	78807646258	SCREW - SPECIAL M5X16	PZ	2,000
20,0	78809463934	FRAME - BTM, R/H	PZ	1,000
21,0	78809463942	FRAME - BTM, L/H	PZ	1,000
22,0	26100000103	WASHER - FLAT M6	PZ	13,000
23,0	78806079550	SPACER, CENTER FRAME	PZ	4,000
24,0	78801071693	SCREW-METRIC, M6X12, HEX HD.	PZ	8,000
25,0	78809463959	CONVEYOR ASSY - FRONT	PZ	1,000
26,0	78809463967	CONVEYOR ASSY- REAR	PZ	1,000
27,0	78809463975	CONVEYOR ASSY - R/H	PZ	1,000
28,0	78809463983	CONVEYOR ASSY - L/H	PZ	1,000
29,0	78809463991	CONVEYOR - FRONT	PZ	1,000
30,0	78809464007	CONVEYOR - REAR	PZ	1,000
31,0	78809464015	CONVEYOR - R/H	PZ	1,000
32,0	78809464023	CONVEYOR - L/H	PZ	1,000
33,0	78809464031	SHAFT - ROLLER	PZ	6,000
34,0	78805955966	ROLLER	PZ	6,000
35,0	78805266943	SHAFT /8X128	PZ	5,000
36,0	78806076937	ROLLER 32X38	PZ	57,000
37,0	78806079659	SHAFT /8X120, HEX HD	PZ	20,000
38,0	78805488570	SHAFT - 8X43MM	PZ	4,000
39,0	78806080350	E-RING 7DIN6799	PZ	20,000
40,0	78801071636	SCREW-METRIC, M5X10, HEX.HD.	PZ	15,000
41,0	78800557411	WASHER - FLAT, M5	PZ	11,000
42,0	78806080863	SUPPORT, VALVE	PZ	1,000
43,0	78806080871	SCREW, METRIC M5X10	PZ	4,000
44,0	26100568596	NUT SELF LOCKING M-5	PZ	2,000
45,0	78806077752	CAM, REAR	PZ	2,000
46,0	78806080889	SHAFT, CAM	PZ	2,000
47,0	78805487572	PIN - SPRING HOLDER	PZ	2,000
48,0	78801074176	NUT - METRIC, HEX STL. M5	PZ	8,000
49,0	78809464049	SPRING	PZ	2,000
50,0	78806077778	SPRING TENSIONER	PZ	2,000
51,0	78806080806	GUARD - STOP	PZ	2,000
52,0	26100379465	SCREW - SOC.HD. M4X25	PZ	4,000
53,0	78801790185	WASHER-METRIC, PLAIN, M4 SPEC.	PZ	4,000



800r-1

Lug. 1995

Fig. 4891/1

Figura	Descrizione figura	Magaz.	Codice sec.	Descrizione
4891,00	BANCALE	0	78809548833	800r-I RANDOM CASE SEALER, Type 19500

Posizione	Cod.ric.sec.	Descrizione	U.M.	Quantita'
54,0	78805956071	PLATE - THREADED	PZ	2,000
55,0	26100358295	SCREW HEX.HD.M6X12	PZ	4,000
56,0	26100379481	SCREW,SOC.HD HEX SOC.M5X10	PZ	4,000
57,0	78806078768	COVER PLUG LATERAL	PZ	2,000
58,0	78802882080	SCREW - 6PX9,5	PZ	4,000
59,0	78806078735	PLUG FEMALE	PZ	2,000
60,0	78809463058	PLATE - GAUGE	PZ	1,000
61,0	78809461771	CAP	PZ	2,000
62,0	78809464890	SNAP BUSHING - SB 1250-15	PZ	1,000
63,0	78807014564	STUD- HEX., ACCUGLIDE II BTM ON 12A/12AB	PZ	4,000
64,0	78806084881	SCREW - HEX.HD. M5X20	PZ	1,000
65,0	78804682173	WASHER-SPECIAL	PZ	2,000
66,0	78807653924	SUPPORT - TAPE DRUM	PZ	1,000
67,0	78806084832	SUPPORT - OUTBOARD ROLL MOUNT	PZ	1,000
68,0	78806084840	SHAFT - ROLLER	PZ	1,000
69,0	78806084857	ROLLER	PZ	1,000
70,0	78803203757	SCREW METRIC M6X16 HEX.HD.	PZ	1,000
71,0	26100379572	SCREW SOC. HD. HEX HD. M6X16	PZ	4,000
72,0	78806080608	CASTER ASS.Y /80	PZ	4,000
73,0	78806080616	CASTER /80	PZ	4,000
74,0	78806081242	SPACER - CASTER	PZ	4,000
75,0	78806076994	WASHER /12-45,5X4	PZ	4,000
76,0	78801790599	WASHER-FLAT FOR M12 SCREW	PZ	4,000
77,0	78806075327	NUT M12 SELF-LOCKING	PZ	4,000

=====  
Data 29/11/95

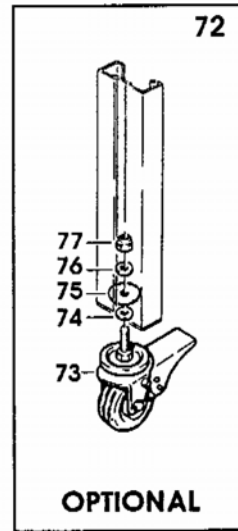
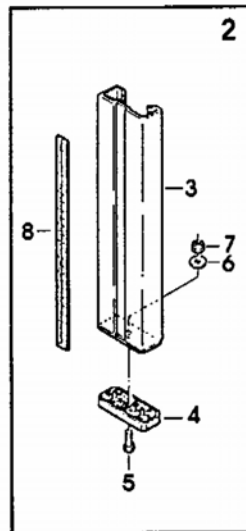
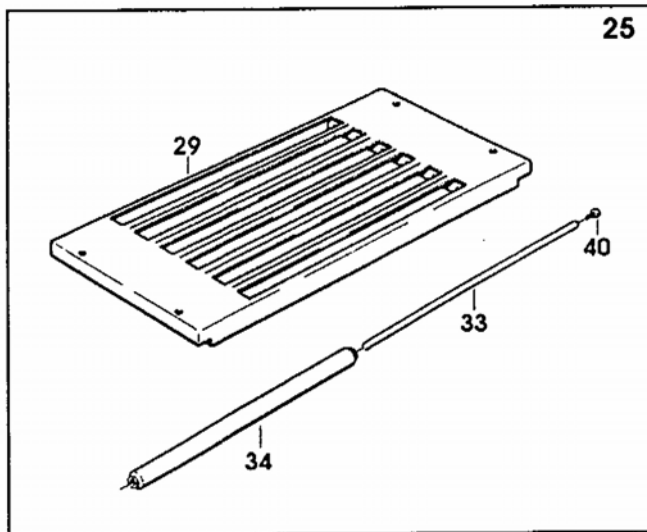
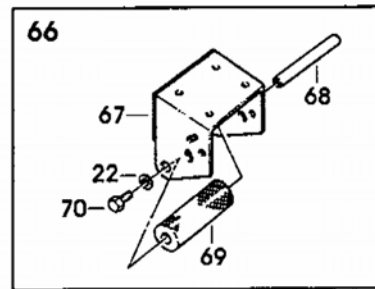
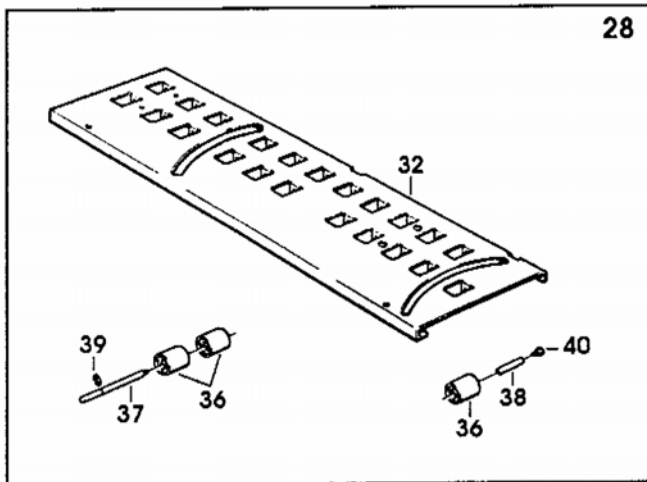
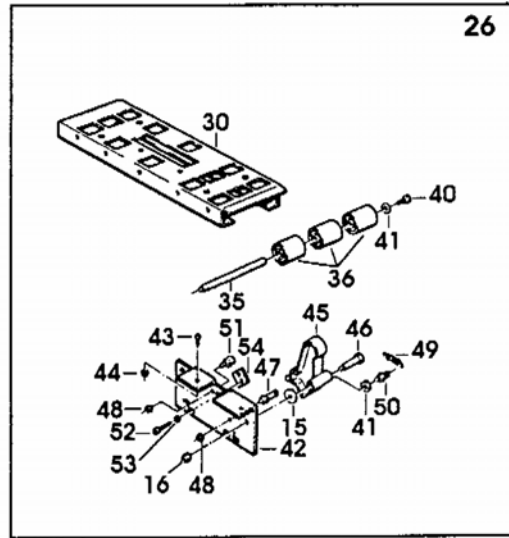
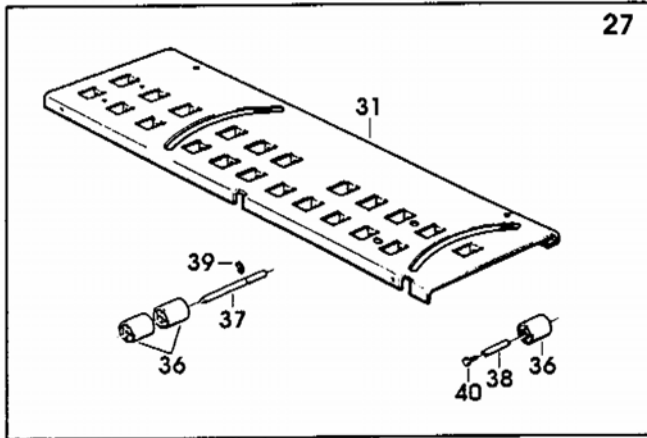
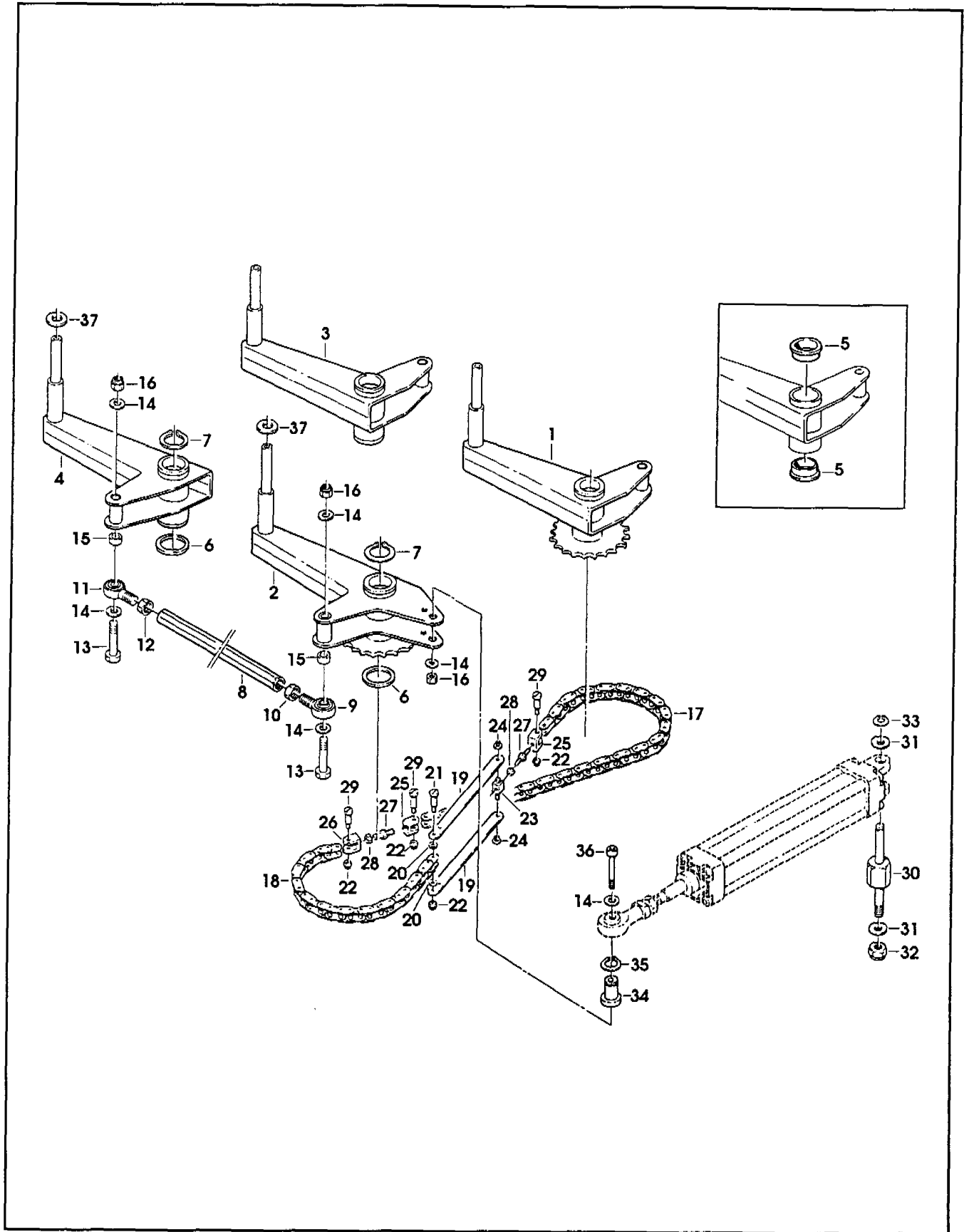


Figura	Descrizione figura	Magaz.	Codice sec.	Descrizione
4892,00	LEVE COMANDO MOTORIZZAZIONI	0	78809548833	800r-I RANDOM CASE SEALER, Type 19500

Posizione	Cod.ric.sec.	Descrizione	U.M.	Quantita'
1,0	78807647876	ARM ASSY - FRONT, RIGHT	PZ	1,000
2,0	78807650615	ARM ASS.Y - FRONT, LEFT	PZ	1,000
3,0	78807650623	ARM ASS.Y - REAR, RIGHT	PZ	1,000
4,0	78807650631	ARM ASS.Y - REAR, LEFT	PZ	1,000
5,0	78807647918	BUSHING	PZ	8,000
6,0	78806075343	WASHER	PZ	4,000
7,0	78806075210	LOCK RING	PZ	4,000
8,0	78809464072	ROD	PZ	2,000
9,0	78807647934	BALL JOINT KA 10 D	PZ	2,000
10,0	78806075251	NUT, M10 RIGHT FLAT	PZ	2,000
11,0	78807647942	BALL JOINT KAL 10 D	PZ	2,000
12,0	78806075467	NUT M10 LEFT FLAT	PZ	2,000
13,0	78809464882	SCREW - HEX.HD. M10X80	PZ	4,000
14,0	78805265663	WASHER - FRICTION	PZ	10,000
15,0	78807647959	SPACER	PZ	4,000
16,0	26100369185	NUT, PLASTIC INSERT M10 HEX FLANGE	PZ	5,000
17,0	78806075186	CHAIN 3/8", 60 PTCH LONG	PZ	1,000
18,0	78805487770	CHAIN - 3/8" PITCH, 41 PITCH LONG	PZ	1,000
19,0	78805487879	CHAIN LINK	PZ	2,000
20,0	78805487838	WASHER - SPECIAL	PZ	2,000
21,0	78806075194	SCREW M3X25	PZ	1,000
22,0	78805955172	NUT-SELF-LOCKING M3 ZINC. PL.	PZ	4,000
23,0	78805487846	BLOCK - CHAIN	PZ	1,000
24,0	78805639453	E-RING - M4	PZ	2,000
25,0	78805487861	CHAIN CONNECTOR	PZ	2,000
26,0	78805487887	CHAIN CONNECTOR	PZ	1,000
27,0	78805487853	ROD - THREADED RIGHT/LEFT	PZ	2,000
28,0	78801074184	NUT - METRIC, HEX, STL., M6	PZ	2,000
29,0	78806075202	SCREW M3X20	PZ	3,000
30,0	78806075319	STUD, CYLINDER	PZ	1,000
31,0	78801790599	WASHER-FLAT FOR M12 SCREW	PZ	2,000
32,0	78806075327	NUT M12 SELF-LOCKING	PZ	1,000
33,0	78805639651	RING - 8 DIN 6799	PZ	1,000
34,0	78806075384	BUSHING, CYLINDER	PZ	1,000
35,0	78806075335	LOCK RING	PZ	1,000
36,0	78806075350	SCREW M10X60 SOC.HD.HX.SOC.	PZ	1,000
37,0	78806075418	WASHER	PZ	4,000

=====  
Data 29/11/95



800r-1

Lug. 1995

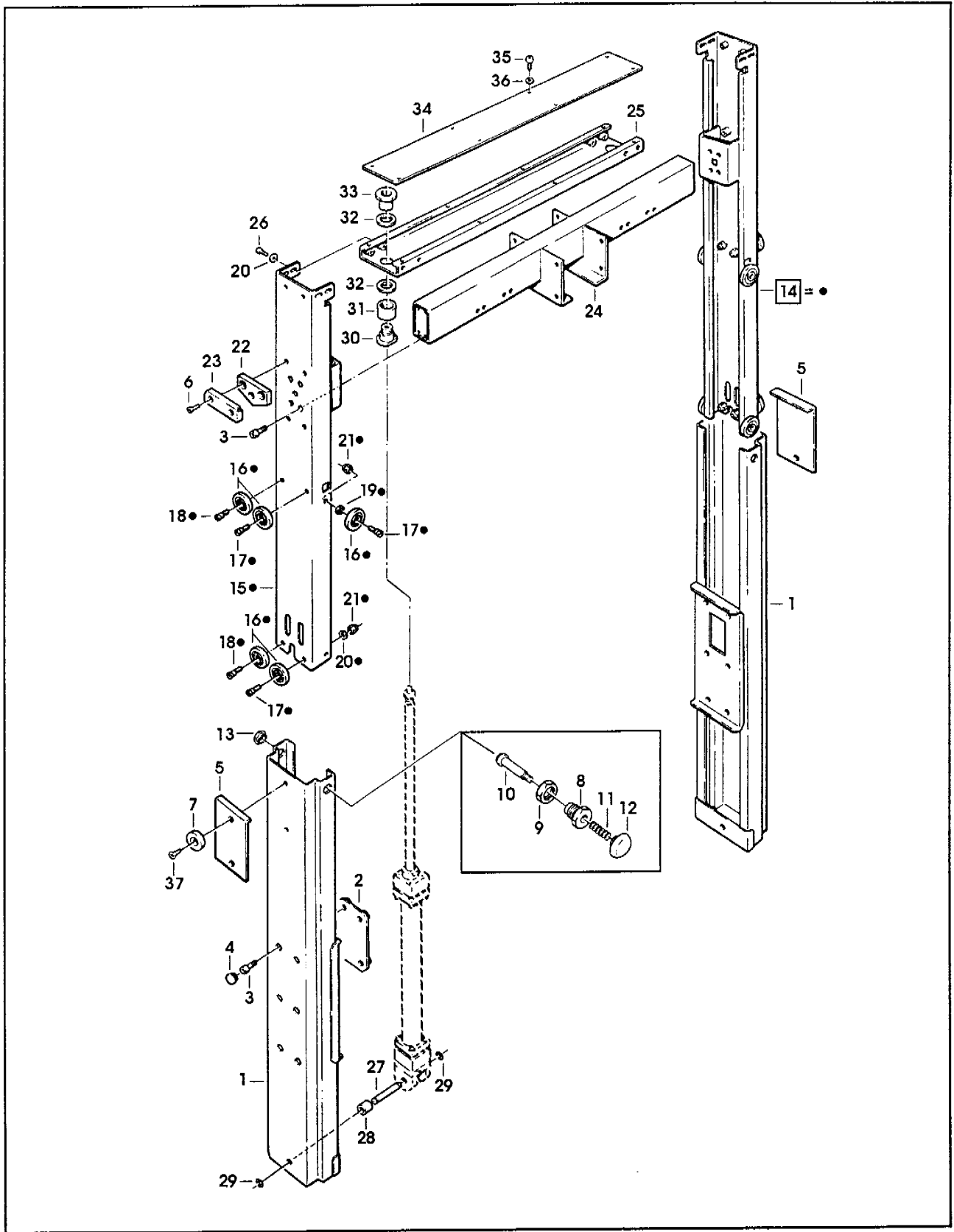
Fig. 4892



Figura Descrizione figura Magaz. Codice sec. Descrizione  
 4893,00 COLONNE 0 78809548833 800r-I RANDOM CASE SEALER,  
 Type 19500

Posizione	Cod.ric.sec.	Descrizione	U.M.	Quantita'
1,0	78809464080	COLUMN ASSY - OUTER	PZ	2,000
2,0	78807654740	PLATE ASS.Y - COLUMN MOUNT	PZ	2,000
3,0	26100379648	SCREW SOC.HD.HEX SOC.DR.,M8X20	PZ	16,000
4,0	78805488216	END - CAP	PZ	12,000
5,0	78809106210	PLATE - OUTER COLUMN	PZ	2,000
6,0	78806079188	SCREW FLAT SOC.HD.M6X25	PZ	4,000
7,0	78805485774	WASHER - SPECIAL	PZ	4,000
8,0	78809106152	BUSHING - STOP	PZ	1,000
9,0	78801791696	NUT-M18X1	PZ	1,000
10,0	78807645441	STUD - HEIGHT STOP	PZ	1,000
11,0	78807645458	SPRING	PZ	1,000
12,0	78807645466	KNOB	PZ	1,000
13,0	78807645474	CAP /18	PZ	3,000
14,0	78809464106	COLUMN ASSY - INNER	PZ	2,000
15,0	78809464114	COLUMN - INNER	PZ	2,000
16,0	78805486178	BEARING SPECIAL	PZ	16,000
17,0	78801791068	SCREW-BEARING SHOULDER	PZ	12,000
18,0	78805485899	SCREW SPECIAL	PZ	4,000
19,0	78805485766	SPACER	PZ	8,000
20,0	26100000103	WASHER - FLAT M6	PZ	16,000
21,0	26100369169	NUT LOCKING PLASTIC INSERT M6	PZ	16,000
22,0	78806079162	BUMPER	PZ	2,000
23,0	78809106178	PLATE - SUPPORT, BUMPER	PZ	2,000
24,0	78809464122	BAR	PZ	1,000
25,0	78809464130	CROSS MEMBER	PZ	1,000
26,0	78803203757	SCREW METRIC M6X16 HEX.HD.	PZ	8,000
27,0	78805489669	PIN - AIR CYLINDER CLEVIS	PZ	2,000
28,0	78805488281	SPACER 10,5/16X14,5MM	PZ	2,000
29,0	78806080350	E-RING 7DIN6799	PZ	4,000
30,0	78805488240	ROD END	PZ	2,000
31,0	78809464163	SPACER	PZ	2,000
32,0	78805488232	WASHER - BUMPER	PZ	4,000
33,0	78809464171	RING NUT	PZ	2,000
34,0	78809464189	COVER	PZ	1,000
35,0	78807652553	SCREW - PHILLIPS HD, M4X12	PZ	8,000
36,0	78800557403	WASHER PLAIN-METRIC 4MM NICK.	PZ	8,000
37,0	26100198436	SCREW FLAT SOC.HD.M6X16	PZ	4,000

=====  
 ===== Data 29/11/95



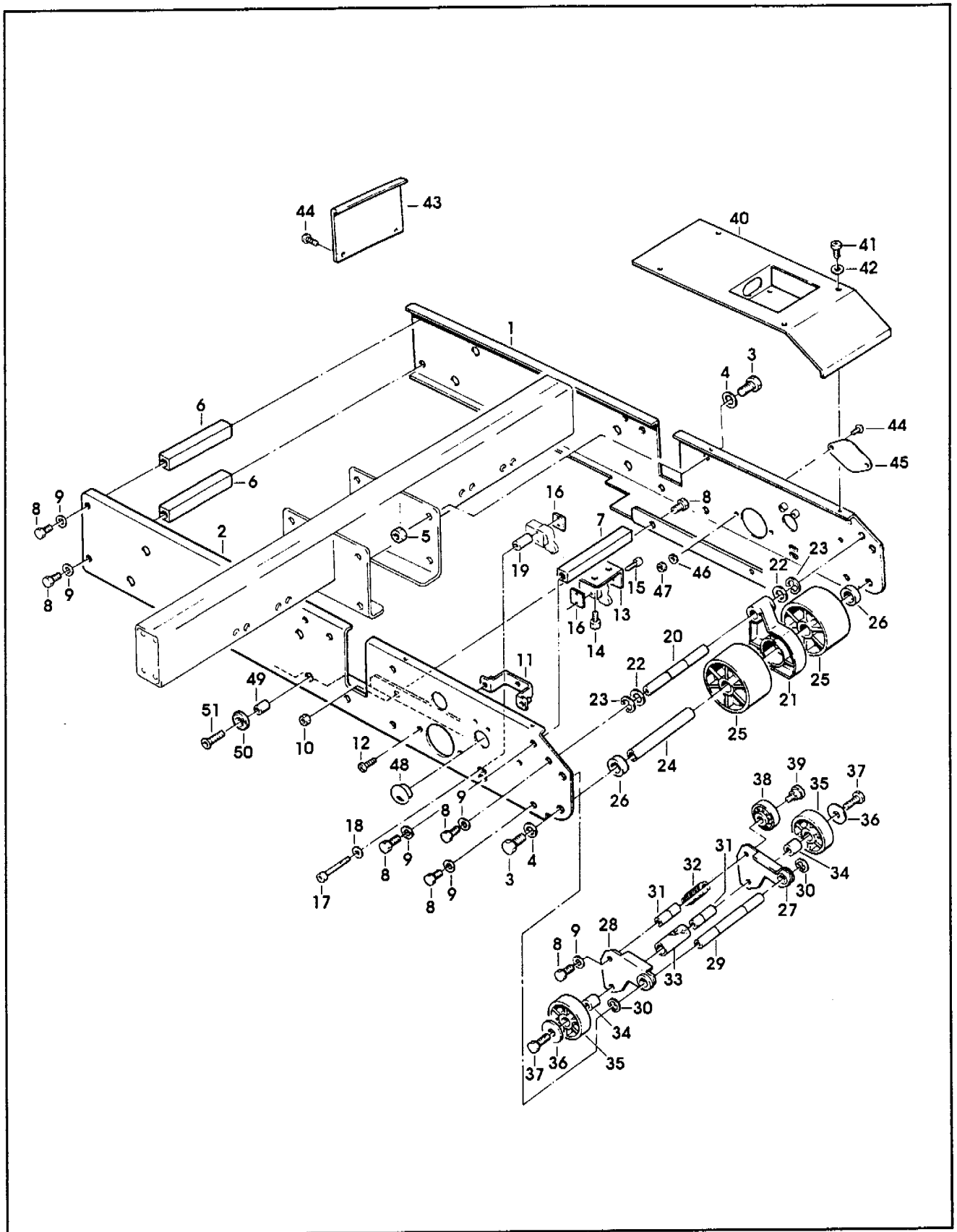
800r-1

Set. 1995

Fig. 4893

Figura	Descrizione figura	Magaz.	Codice sec.	Descrizione
4895,00	PORTA UNITA' SUPERIORE		0 78809548833	800r-I RANDOM CASE SEALER, Type 19500

Posizione	Cod. ric. sec.	Descrizione	U.M.	Quantita'
1,0	78809464304	FRAME - R/H	PZ	1,000
2,0	78809464312	FRAME - L/H	PZ	1,000
3,0	26100358410	SCREW M8X16	PZ	10,000
4,0	78801793189	WASHER-PLAIN-METRIC 8MM	PZ	10,000
5,0	26100013478	NUT METRIC HEX STL.,M8	PZ	8,000
6,0	78809464320	SPACER	PZ	2,000
7,0	78809464338	SPACER	PZ	1,000
8,0	78801071693	SCREW-METRIC, M6X12, HEX HD.	PZ	14,000
9,0	26100000103	WASHER - FLAT M6	PZ	12,000
10,0	78801074184	NUT - METRIC, HEX, STL., M6	PZ	2,000
11,0	78807645359	BRACKET	PZ	1,000
12,0	78807646258	SCREW - SPECIAL M5X16	PZ	2,000
13,0	78805488323	SUPPORT - VALVE	PZ	1,000
14,0	26100379499	SCREW SOC. HD. HEX SOC. M5X12	PZ	2,000
15,0	26100379465	SCREW - SOC.HD. M4X25	PZ	2,000
16,0	78805956071	PLATE - THREADED	PZ	2,000
17,0	78809464346	SCREW - SOC.HD. HEX.HD M4X50	PZ	2,000
18,0	78801790185	WASHER-METRIC, PLAIN, M4 SPEC.	PZ	2,000
19,0	78809464353	SPACER	PZ	2,000
20,0	78809464361	SHAFT - LEVER	PZ	1,000
21,0	78807646571	LINK - ACTUATOR, VALVE	PZ	1,000
22,0	78805265663	WASHER - FRICTION	PZ	2,000
23,0	78801658556	E - RING 10MM	PZ	2,000
24,0	78809464379	SHAFT - ROLLER	PZ	1,000
25,0	78809464387	ROLLER	PZ	2,000
26,0	78809462514	SPACER	PZ	2,000
27,0	78809464395	FRAME - R/H	PZ	1,000
28,0	78809464403	FRAME - L/H	PZ	1,000
29,0	78809464411	SHAFT - /10X125	PZ	1,000
30,0	78806080350	E-RING 7DIN6799	PZ	2,000
31,0	78809462555	SHAFT - 10X46	PZ	2,000
32,0	78807647744	SPRING	PZ	1,000
33,0	78809462563	SLEEVE	PZ	1,000
34,0	78809462589	BUSHING	PZ	2,000
35,0	78806077984	WHEEL /50	PZ	2,000
36,0	78804229199	WASHER - TRIPLE, M6	PZ	2,000
37,0	26100358329	SCREW - HEX. HD., M6X25	PZ	2,000
38,0	78805486178	BEARING SPECIAL	PZ	1,000
39,0	78801791068	SCREW-BEARING SHOULDER	PZ	1,000
40,0	78809464437	COVER - UPPER	PZ	1,000
41,0	26100257539	SCREW-SELF TAPPING	PZ	4,000
42,0	78800557403	WASHER PLAIN-METRIC 4MM NICK.	PZ	4,000
43,0	78809464445	COVER - REAR	PZ	1,000
44,0	78806080871	SCREW, METRIC M5X10	PZ	6,000
45,0	78809462597	PLATE	PZ	1,000
46,0	78800557411	WASHER - FLAT, M5	PZ	2,000
47,0	78801074176	NUT - METRIC, HEX STL. M5	PZ	2,000
48,0	78806078859	END CAP /25X1,2	PZ	2,000
49,0	78805267008	SPACER	PZ	4,000
50,0	78807654773	WASHER - SPECIAL /6.5X20X4	PZ	4,000
51,0	78806079188	SCREW FLAT SOC.HD.M6X25	PZ	4,000



800r-1

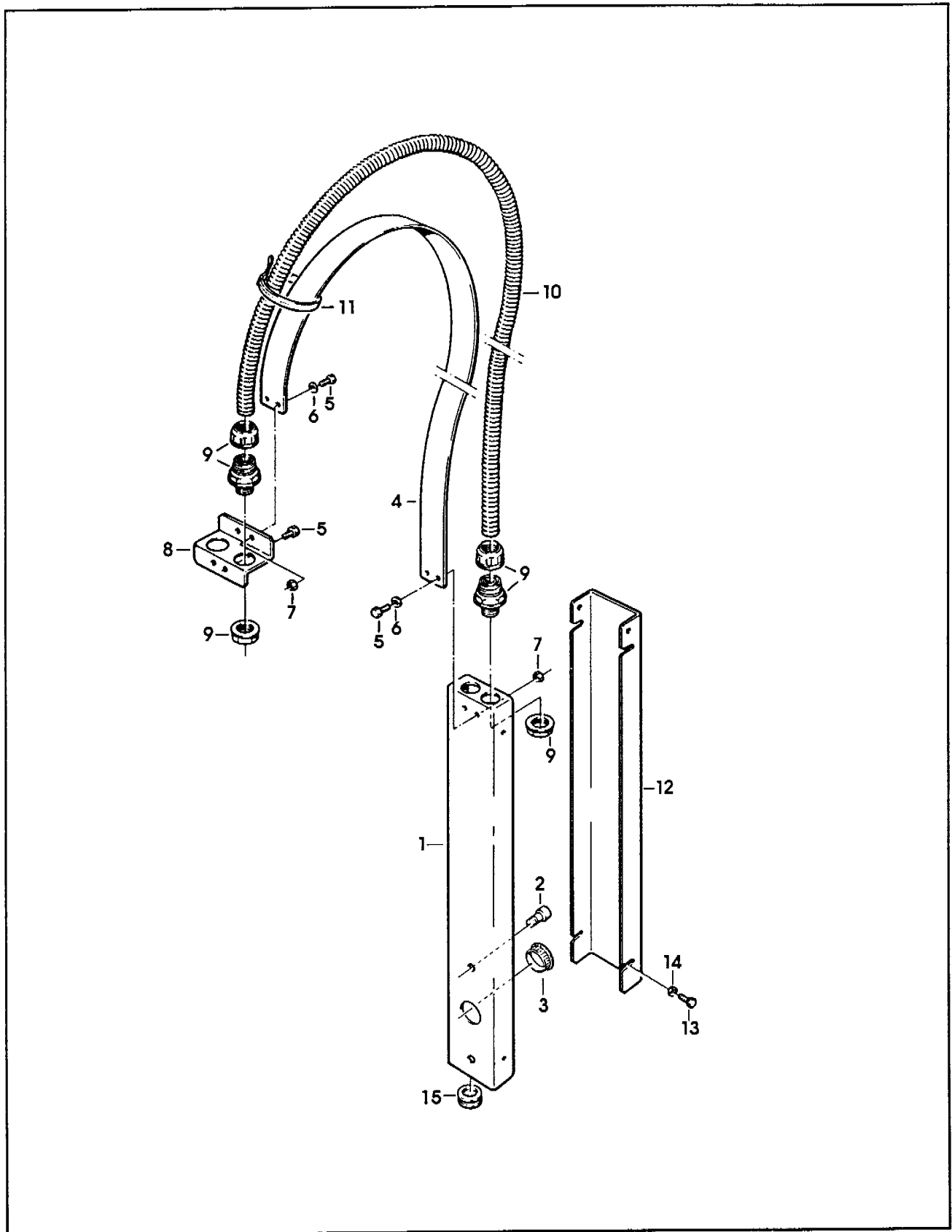
Lug. 1995

Fig. 4895

Figura	Descrizione figura	Magaz.	Codice sec.	Descrizione
4896,00	CANALINA		0 78809548833	800r-I RANDOM CASE SEALER, Type 19500

Posizione	Cod.ric.sec.	Descrizione	U.M.	Quantita'
1,0	78809106004	HOUSING - WIRE	PZ	1,000
2,0	26100379630	SCREW - SOC. HD. M8X16	PZ	2,000
3,0	78809464890	SNAP BUSHING - SB 1250-15	PZ	1,000
4,0	78807646365	STRAP - WIRE	PZ	1,000
5,0	78801071636	SCREW-METRIC, M5X10, HEX.HD.	PZ	6,000
6,0	78800557411	WASHER - FLAT, M5	PZ	4,000
7,0	78801074176	NUT - METRIC, HEX STL. M5	PZ	4,000
8,0	78807648734	PLATE - STRAP	PZ	1,000
9,0	78807646381	UNION PG13.5 - SLEEVE / 14	PZ	4,000
10,0	78809464452	SLEEVE /14, 980 MM	PZ	2,000
11,0	78806080293	CLAMP, 140X3,5	PZ	5,000
12,0	78807651183	COVER - CHANNEL	PZ	1,000
13,0	26100358105	SCREW - HEX HD. M4X8	PZ	4,000
14,0	78801790185	WASHER-METRIC, PLAIN, M4 SPEC.	PZ	4,000
15,0	78806077851	FAIRLEAD /22	PZ	2,000

==== Data 29/11/95



800r-1

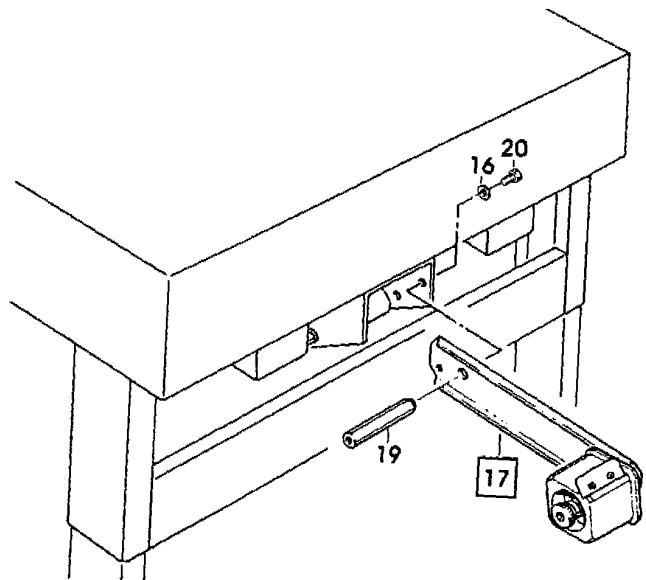
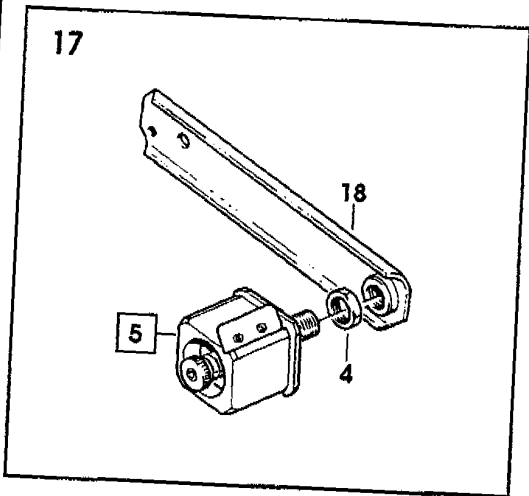
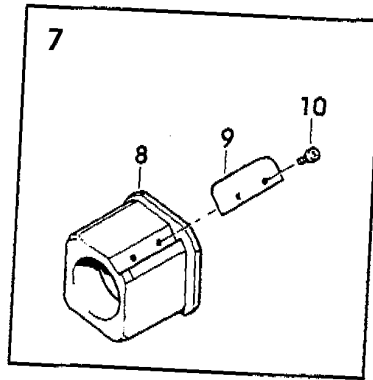
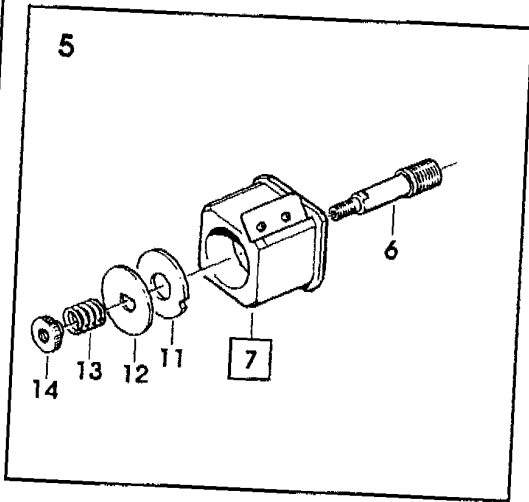
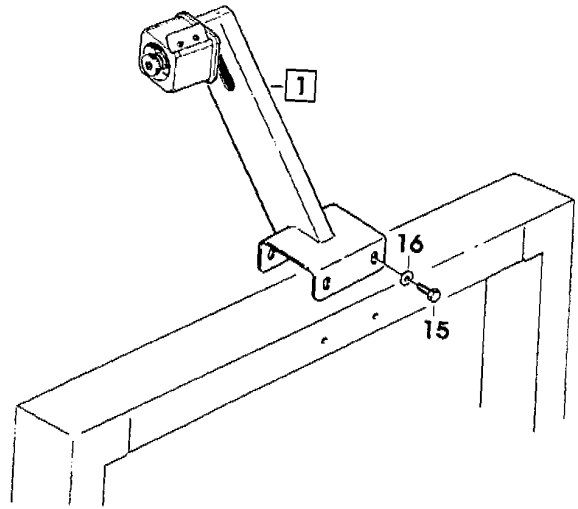
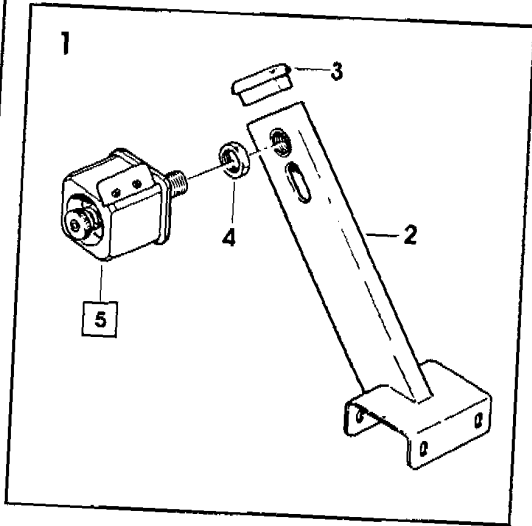
Lug. 1995

Fig. 4896

Figura	Descrizione figura	Magaz.	Codice sec.	Descrizione
4897,00	PORTAROTOLI	0	78809548833	800r-I RANDOM CASE SEALER, Type 19500

Posizione	Cod.ric.sec.	Descrizione	U.M.	Quantita'
1,0	78809464460	BRACKET ASSY - CORE HOLDER	PZ	1,000
2,0	78809106053	BRACKET - CORE HOLDER	PZ	1,000
3,0	78807015686	CAP - BRACKET	PZ	1,000
4,0	78801791696	NUT-M18X1	PZ	2,000
5,0	78806084741	TAPE DRUM ASS.Y 2" HEAD W/O BRACKET/LOCK PLATE	PZ	2,000
6,0	78807645193	SHAFT - TAPE DRUM	PZ	2,000
7,0	78807015694	TAPE DRUM ASSY - 2" WIDE	PZ	2,000
8,0	78805267495	TAPE DRUM	PZ	2,000
9,0	78805262686	LEAF SPRING	PZ	2,000
10,0	26100257539	SCREW-SELF TAPPING	PZ	4,000
11,0	78806081721	WASHER-FRICTION	PZ	2,000
12,0	78805262710	WASHER-TAPE DRUM	PZ	2,000
13,0	78805488265	SPRING	PZ	2,000
14,0	78806078511	RING NUT, ADJUSTING	PZ	2,000
15,0	78803203757	SCREW METRIC M6X16 HEX.HD.	PZ	4,000
16,0	26100000103	WASHER - FLAT M6	PZ	7,000
17,0	78807015652	TAPE DRUM BRACKET ASS.Y	PZ	1,000
18,0	78807013954	BRACKET - BUSHING ASS.Y	PZ	1,000
19,0	78807012154	SPACER - STUD	PZ	1,000
20,0	78801071693	SCREW-METRIC, M6X12, HEX HD.	PZ	3,000

=====  
Data 29/11/95



800r-I

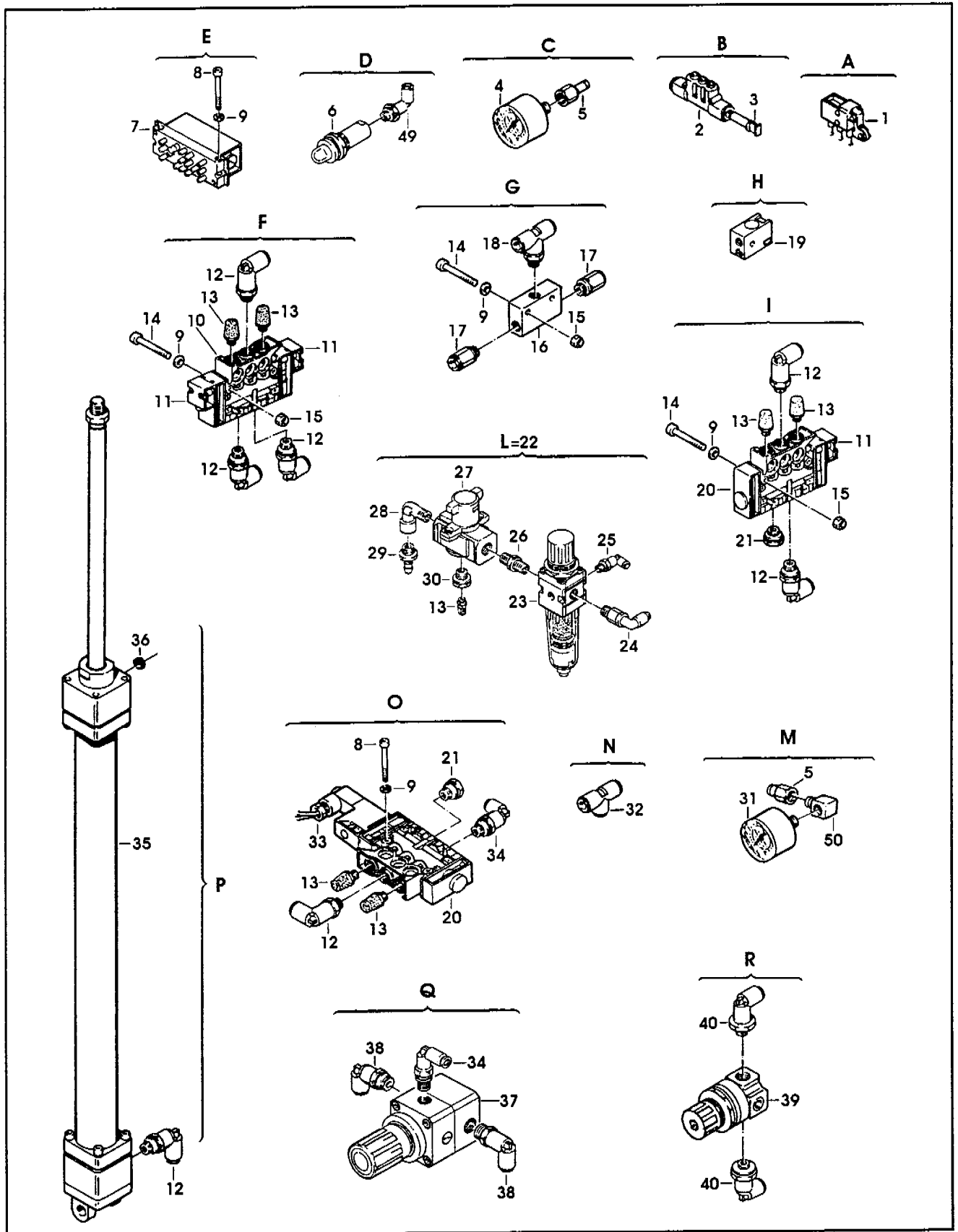
Lug. 1995

Fig. 4897



Figura	Descrizione figura	Magaz.	Codice sec.	Descrizione
4898,00	IMPIANTO PNEUMATICO	0	78809548833	800r-I RANDOM CASE SEALER, Type 19500

Posizione	Cod.ric.sec.	Descrizione	U.M.	Quantita'
1,0	78806080913	VALVE R/O-3-PK-3	PZ	4,000
2,0	78809464486	UNION - TE 33040604	PZ	1,000
3,0	78806078610	END CAP MR 290006	PZ	1,000
4,0	78807646712	GAUGE - PRESSURE	PZ	1,000
5,0	78807646720	UNION - STRAIGHT, FEMALE	PZ	2,000
6,0	78807646654	INDICATOR - VISUAL	PZ	1,000
7,0	78806076564	VALVE VLK3-PK3	PZ	1,000
8,0	78806077117	SCREW, SOC.HD.HEX.SOC.M4X30	PZ	4,000
9,0	78800557403	WASHER PLAIN-METRIC 4MM NICK.	PZ	11,000
10,0	78809464494	DISTRIBUTOR - BIST.5-1/8"	PZ	1,000
11,0	78809464502	CONNECTOR, PVA-P111	PZ	3,000
12,0	26100568935	90 DEGREE ELBOW	PZ	10,000
13,0	26100568901	MUFFLER	PZ	7,000
14,0	26100379465	SCREW - SOC.HD. M4X25	PZ	7,000
15,0	26100369144	NUT, PLASTIC INSERT M4	PZ	7,000
16,0	26100569040	VALVE	PZ	1,000
17,0	26100569107	UNION STRAIGHT	PZ	2,000
18,0	78806081838	UNION ROTATING MR20-06-18	PZ	1,000
19,0	78809464510	VALVE - SELECTOR, PLK-A11	PZ	1,000
20,0	78809464528	DISTRIBUTOR - MON. 5-1/8"	PZ	2,000
21,0	78806076903	CAP B-1/8"	PZ	2,000
22,0	78809464536	FILTER ASSY	PZ	1,000
23,0	78807646688	FILTER - PRESSURE REGULATOR	PZ	1,000
24,0	78809464544	ELBOW, 31290613	PZ	1,000
25,0	78809464551	UNION, 32990410	PZ	1,000
26,0	78806078990	NIPPLE RA 012 1/4"-1/4"	PZ	1,000
27,0	78809107150	VALVE - EVHS-4500 F02-X116 800af, 700rks	PZ	1,000
28,0	78806079006	UNION RA 022 1/4"-1/4"	PZ	1,000
29,0	26100568976	HOSE CONNECTOR - RA030 9-1/4"	PZ	1,000
30,0	78807646704	REDUCTION - 3/8"-1/8"	PZ	1,000
31,0	78805488380	GAUGE - AIR	PZ	1,000
32,0	78805761703	TEE - 6MM TUBING	PZ	3,000
33,0	78809464569	ACTUATOR - PVA-H2491F, 100/115 50/60	PZ	1,000
34,0	26100559090	ELBOW	PZ	2,000
35,0	78805488273	CYLINDER - AIR, C65D32-440CY01	PZ	2,000
36,0	78809464577	CAP 1/8"	PZ	2,000
37,0	78809464585	REDUCER, LRP-1/4"-4	PZ	1,000
38,0	78809463439	ELBOW - 32990613	PZ	2,000
39,0	78807646753	REGULATOR - 0.5-7 BAR	PZ	1,000
40,0	78805507569	UNION ROTATING MR41-06-14	PZ	2,000
41,0	78805956337	AIR DISTRIBUTOR	PZ	1,000
42,0	78806078537	UNION STRAIGHT MR12-04-18	PZ	1,000
43,0	26100568844	SWIVEL - TEE - LATERIAL	PZ	1,000
44,0	78810007571	CYLINDER - AIR, C95SDB50-95+20	PZ	1,000
45,0	78806077240	NUT M22X1,5	PZ	1,000
46,0	78809105105	REGULATOR - SPEED	PZ	2,000
47,0	78806080335	5M SKEIN TUBING D4/3	PZ	3,000
48,0	78806080343	5M SKEIN TUBING D6/4	PZ	3,000
49,0	78807648882	ELBOW KQL04-01S	PZ	1,000
50,0	78809106384	ELBOW - G-1/8-A/1	PZ	1,000



800r-1

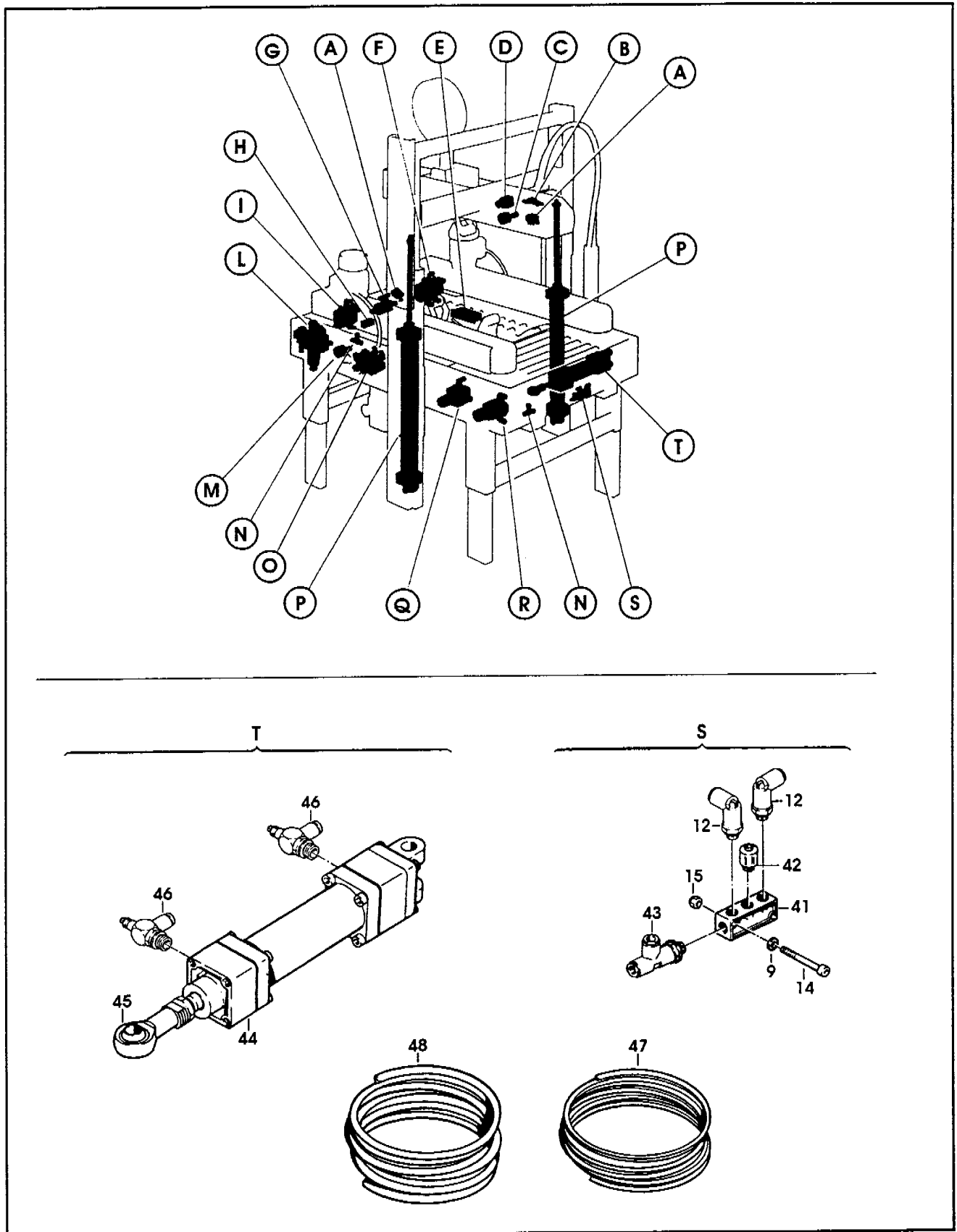
Lug. 1995

Fig. 4898/1

Figura	Descrizione figura	Magaz.	Codice sec.	Descrizione
4898,00	IMPIANTO PNEUMATICO	0	78809548833	800r-I RANDOM CASE SEALER, Type 19500

Posizione	Cod.ric.sec.	Descrizione	U.M.	Quantita'
998,0	78810007589	SEAL KIT - CYLINDER SMC /32	PZ	1,000
999,0	78810007597	SEAL KIT - CYLINDER SMC /50	PZ	1,000

==== Data 29/11/95



800r-1

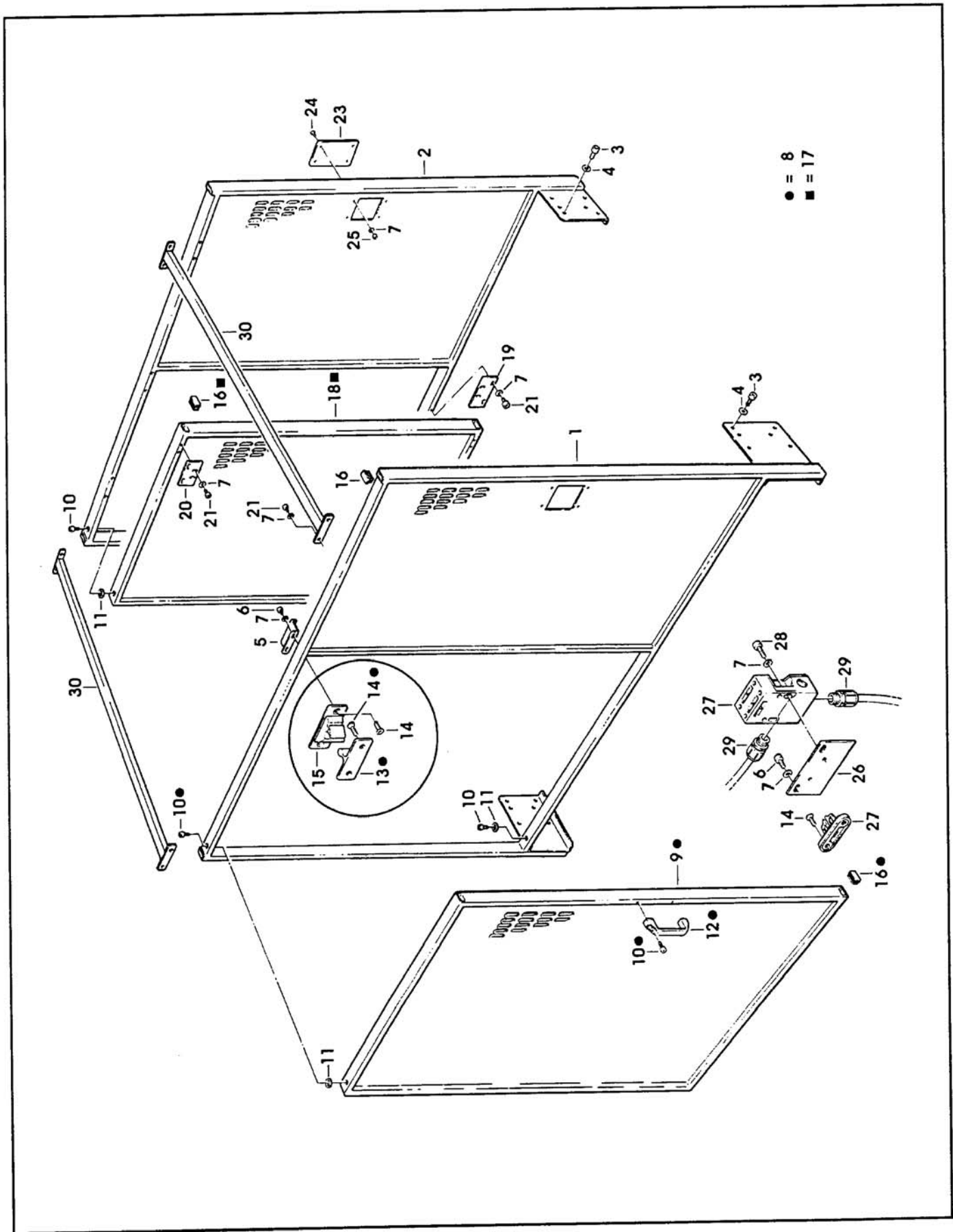
Lug. 1995

Fig. 4898/2

Figura	Descrizione figura	Magaz.	Codice sec.	Descrizione
4900,00	PROTEZIONE ANTINFORTUNISTICA	0	78809548833	800r-I RANDOM CASE SEALER, Type 19500

Posizione	Cod.ric.sec.	Descrizione	U.M.	Quantita'
1,0	78809464593	GUARD - L/H	PZ	1,000
2,0	78809464601	GUARD - R/H	PZ	1,000
3,0	26100379648	SCREW SOC.HD.HEX SOC.DR.,M8X20	PZ	12,000
4,0	78801793189	WASHER-PLAIN-METRIC 8MM	PZ	12,000
5,0	78809464619	BRACKET	PZ	1,000
6,0	78803203823	SCREW-SOC.HEX HD.M5X16 ZINC.PL	PZ	4,000
7,0	78800557411	WASHER - FLAT, M5	PZ	26,000
8,0	78809464627	DOOR ASSY - L/H	PZ	1,000
9,0	78809464635	DOOR - L/H	PZ	1,000
10,0	26100379572	SCREW SOC. HD. HEX HD. M6X16	PZ	6,000
11,0	78809464643	SPACER	PZ	4,000
12,0	78806078073	HANDLE	PZ	1,000
13,0	78807649310	DRAWBAR - LOCK	PZ	1,000
14,0	26000158621	SCREW, FLAT HD SOC.M5X12	PZ	6,000
15,0	78807649328	LOCK - WING	PZ	1,000
16,0	78809461953	CAP	PZ	12,000
17,0	78809464650	DOOR ASSY - R/H	PZ	1,000
18,0	78809464668	DOOR - R/H	PZ	1,000
19,0	78809464676	PLATE - LOWER	PZ	1,000
20,0	78809464684	PLATE - UPPER	PZ	1,000
21,0	26100379499	SCREW SOC. HD. HEX SOC. M5X12	PZ	16,000
23,0	78809464700	PLATE	PZ	1,000
24,0	78806080871	SCREW, METRIC M5X10	PZ	4,000
25,0	78801074176	NUT - METRIC, HEX STL. M5	PZ	4,000
26,0	78809464718	PLATE - SWITCH MOUNTING	PZ	1,000
27,0	78807649294	SECURITY SWITCH A2152VR	PZ	1,000
28,0	26100379515	SCREW,SOC HD HEX SOC M5X20	PZ	2,000
29,0	78807645326	UNION	PZ	2,000
30,0	78809464692	CROSS BAR	PZ	2,000

=====  
 ===== Data 29/11/95



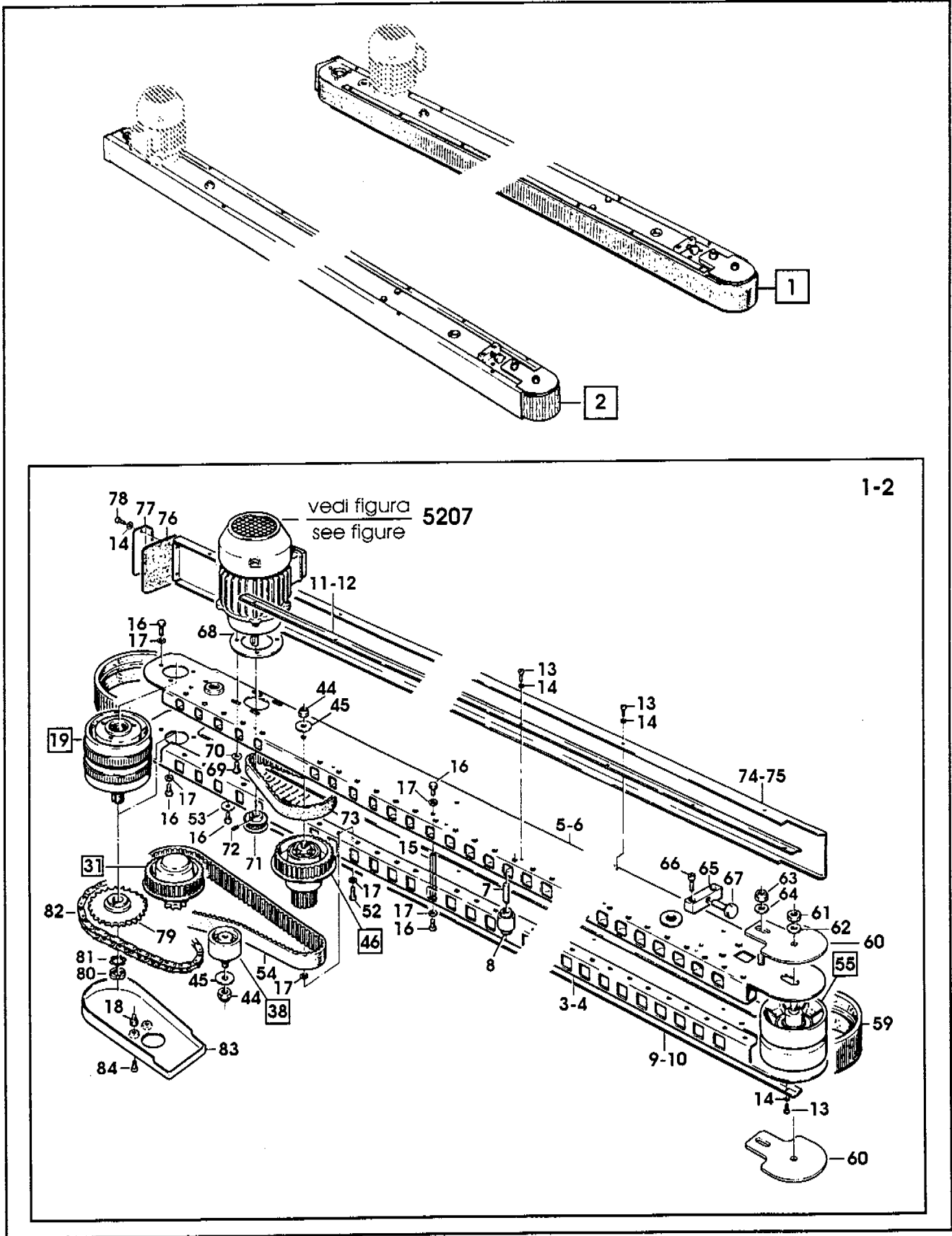
800r-I

Lug. 1995

Fig. 4900

Figura Descrizione figura Magaz. Codice sec. Descrizione  
 5162,00 MOTORIZZAZIONI 0 78809548833 800r-I RANDOM CASE SEALER,  
 Type 19500

Posizione	Cod.ric.sec.	Descrizione	U.M.	Quantita'
1,0	78809464924	SIDE DRIVE ASSY - R/H, W/O MOTOR	PZ	1,000
2,0	78809464932	DRIVE ASSY - L/H, W/O MOTOR	PZ	1,000
3,0	78809464940	GUIDE - LOWER, R/H	PZ	1,000
4,0	78809464957	GUIDE - LOWER, L/H	PZ	1,000
5,0	78809464965	GUIDE - UPPER, R/H	PZ	1,000
6,0	78809464973	GUIDE - UPPER, L/H	PZ	1,000
7,0	78806079956	PIN, ROLLER	PZ	72,000
8,0	78806079964	ROLLER	PZ	72,000
9,0	78809464981	PLATE - ROLLER, LOWER, R/H	PZ	1,000
10,0	78809464999	PLATE - ROLLER, LOWER, L/H	PZ	1,000
11,0	78810007506	PLATE - ROLLER, UPPER, R/H	PZ	1,000
12,0	78810007514	PLATE - ROLLER, UPPER, L/H	PZ	1,000
13,0	78807652553	SCREW - PHILLIPS HD, M4X12	PZ	28,000
14,0	78800557403	WASHER PLAIN-METRIC 4MM NICK.	PZ	32,000
15,0	78805489107	SPACER - EXAGONAL	PZ	12,000
16,0	78801071693	SCREW-METRIC, M6X12, HEX HD.	PZ	38,000
17,0	26100000103	WASHER - FLAT M6	PZ	36,000
18,0	78805488919	SCREW SPECIAL	PZ	4,000
19,0	78806080004	DRIVE PULLEY ASS.Y	PZ	2,000
20,0	78805488786	SHAFT - PULLEY KEYED	PZ	2,000
21,0	78805488794	WASHER, /20,5MM	PZ	4,000
22,0	78805757396	KEY, M5X5X30 MM	PZ	2,000
23,0	78807651050	PULLEY ASS.Y - DRIVE	PZ	2,000
24,0	78805267131	RING - POLYURETHANE	PZ	4,000
25,0	78801790961	NUT-SPECIAL M18X1	PZ	2,000
26,0	78806076481	BEARING - FLANGED	PZ	4,000
27,0	78805488778	WASHER, 5,5/20X4	PZ	4,000
28,0	26000158621	SCREW, FLAT HD SOC.M5X12	PZ	4,000
29,0	78806080376	CAP - FLANGE	PZ	2,000
30,0	78804681357	KEY - 5 X 5 12MM	PZ	2,000
31,0	78806080038	DRIVE PULLEY ASS.-KEYED	PZ	2,000
32,0	78805508252	PULLEY - KEYED	PZ	2,000
33,0	26100060362	BEARING - 6003-2RS	PZ	4,000
34,0	78806075475	SPACER	PZ	2,000
35,0	78805488893	SUPPORT - PULLEY KEYED	PZ	2,000
36,0	78802882445	KEY - 4 X 4 X 10MM	PZ	2,000
37,0	78806080053	SPROCKET - 3/8", 11 TEETH	PZ	2,000
38,0	78806080061	JOCKEY PULLEY ASS.Y	PZ	2,000
39,0	78806080079	PIN-JOCKEY PULLEY	PZ	2,000
40,0	78806080095	JOCKEY PULLEY	PZ	2,000
41,0	78806080087	BEARING 6004-2RS	PZ	2,000
42,0	78806080103	SNAP RING-42MM SHAFT	PZ	2,000
43,0	78801790615	SNAP RING-FOR 20MM SHAFT	PZ	2,000
44,0	78801793130	NUT SELF LOCKING M8 NICK.PL.	PZ	4,000
45,0	26100455075	WASHER M8	PZ	4,000
46,0	78806080111	WRAP PULLEY ASS.Y	PZ	2,000
47,0	78805488877	SHAFT - PULLEY WRAP	PZ	2,000
48,0	78807651068	PULLEY ASS.Y - IDLER	PZ	2,000
49,0	78802325445	BEARING-6203-2RS	PZ	2,000
50,0	78802324109	BEARING - 6000-2RS	PZ	2,000



800r-1

Lug. 1995

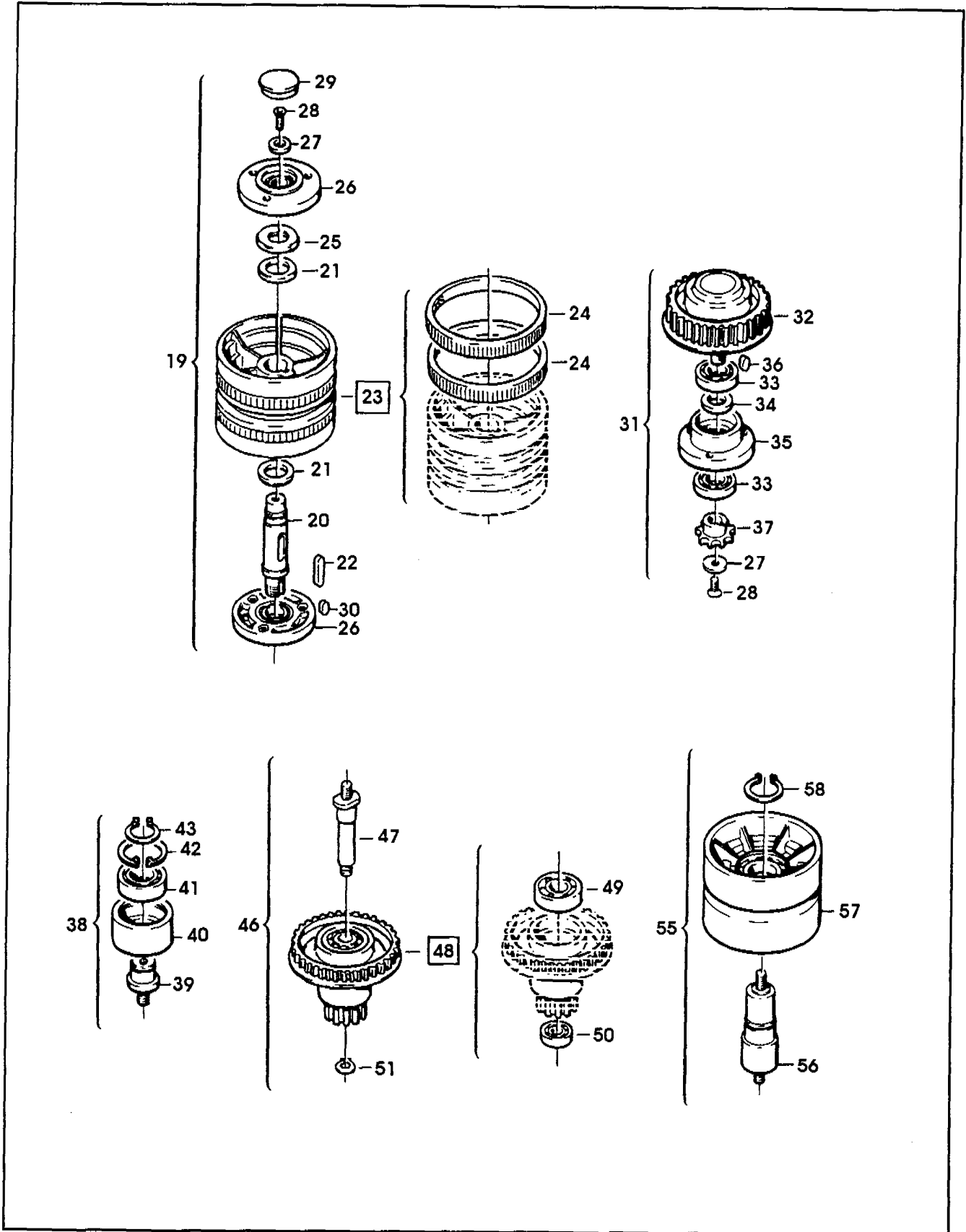
Fig. 5162/1



Figura	Descrizione figura	Magaz.	Codice sec.	Descrizione
5162,00	MOTORIZZAZIONI	0	78809548833	800r-I RANDOM CASE SEALER, Type 19500

Posizione	Cod.ric.sec.	Descrizione	U.M.	Quantita'
51,0	78801658556	E - RING 10MM	PZ	2,000
52,0	78803203757	SCREW METRIC M6X16 HEX.HD.	PZ	2,000
53,0	78804229199	WASHER - TRIPLE, M6	PZ	6,000
54,0	78806080137	BELT-TIMING 210 L 075	PZ	2,000
55,0	78806080145	IDLER ROLLER ASS.Y	PZ	2,000
56,0	78805489131	SHAFT - ROLLER	PZ	2,000
57,0	78805267107	ROLLER - IDLER	PZ	2,000
58,0	12799702720	E-RING, M-25	PZ	2,000
59,0	78809464478	BELT - DRIVE	PZ	2,000
60,0	78809107614	PLATE - BELT TENSIONING	PZ	4,000
61,0	26100013478	NUT METRIC HEX STL.,M8	PZ	4,000
62,0	78801793189	WASHER-PLAIN-METRIC 8MM	PZ	4,000
63,0	26100369185	NUT, PLASTIC INSERT M10 HEX FLANGE	PZ	4,000
64,0	78805265663	WASHER - FRICTION	PZ	4,000
65,0	78805489032	BLOCK - BELT	PZ	4,000
66,0	78801072105	SCREW - SOC.HD.HEX.SOC.M6X20	PZ	8,000
67,0	78805489040	SCREW - BELT ADJUSTMENT	PZ	4,000
68,0	78809460500	SPACER - MOTOR	PZ	2,000
69,0	26100547574	SCREW - FLAT HD, SOC.DR. M5X20	PZ	8,000
70,0	78806080731	WASHER - MOTOR	PZ	8,000
71,0	78806080152	PULLEY 17XL050	PZ	2,000
72,0	26100388169	SCREW, SET M5X6	PZ	2,000
73,0	78806080160	BELT, TIMING 190XL050	PZ	2,000
74,0	78810007522	COVER - DRIVE, R/H	PZ	1,000
75,0	78810007530	COVER - DRIVE, L/H	PZ	1,000
76,0	78805488976	GUARD - BELT	PZ	2,000
77,0	78807648700	PLATE	PZ	2,000
78,0	26100249551	SCREW-SELF TAP 8PX13	PZ	4,000
79,0	78806080194	SPROCKET - 3/8" 28 TEETH	PZ	2,000
80,0	78805758352	CENTERING WASHER	PZ	2,000
81,0	78805758345	TAB WASHER	PZ	2,000
82,0	78806080202	CHAIN, 3/8" PITCH L=50	PZ	2,000
83,0	78807651126	COVER - CHAIN	PZ	2,000
84,0	26100379481	SCREW,SOC.HD HEX SOC.M5X10	PZ	4,000

=====  
Data 29/11/95



800r-I

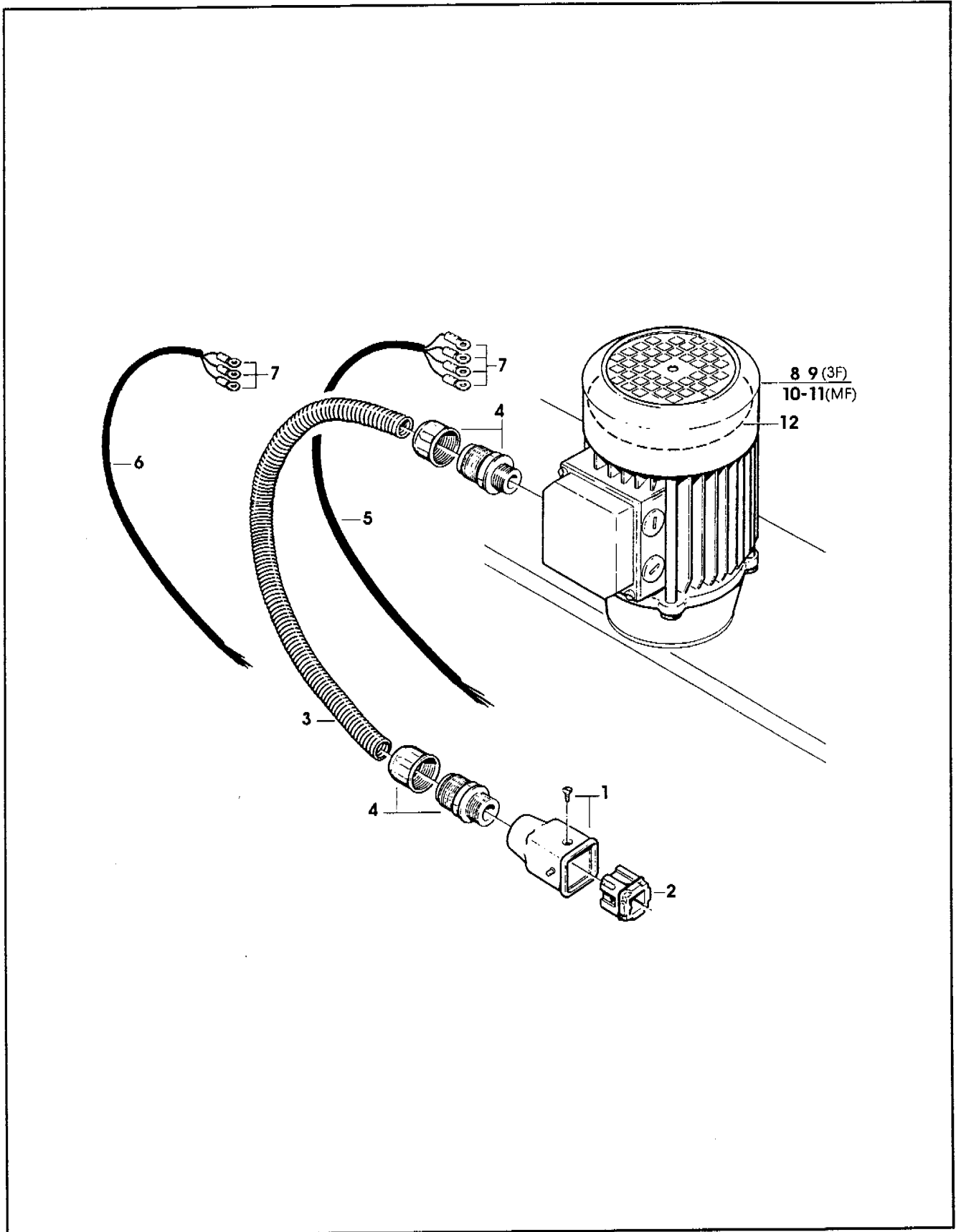
Lug. 1995

Fig. 5162/2

Figura	Descrizione figura	Magaz.	Codice sec.	Descrizione
5207,00	MOTORI MULTITENS.X MOTORIZZ.	0	78809548833	800r-I RANDOM CASE SEALER, Type 19500

Posizione	Cod.ric.sec.	Descrizione	U.M.	Quantita'
1,0	78806078776	PLUG HOUSING VERTICAL	PZ	2,000
2,0	78806078750	PLUG MALE	PZ	2,000
3,0	78810007548	CONDUIT - FLEXIBLE, /12	PZ	2,000
4,0	78806076267	CONNECTOR PG 11/12	PZ	4,000
5,0	78806080525	CABLE 4X1,5 5MT 3PH	PZ	1,000
6,0	78809104330	CABLE - 3X1.5 1-PHASE, 5 MT.	PZ	1,000
7,0	78806078800	EYELET TERMINAL /4 RED	PZ	8,000
8,0	78809463785	MOTOR - 3PH, 220/460V 50/60HZ H63 A4 KW 0.12 B14	PZ	2,000
9,0	78809464726	MOTOR - 200/220V, 50/60HZ 3-PHASE	PZ	2,000
10,0	78809464734	MOTOR - 100/115V, 50/60HZ, 1-PHASE	PZ	2,000
11,0	78806084311	MOTOR 220V. 50HZ. 1PH	PZ	2,000
12,0	78807652264	FAN - MOTOR, F.63	PZ	2,000

=====  
 ===== Data 29/11/95



800r-1

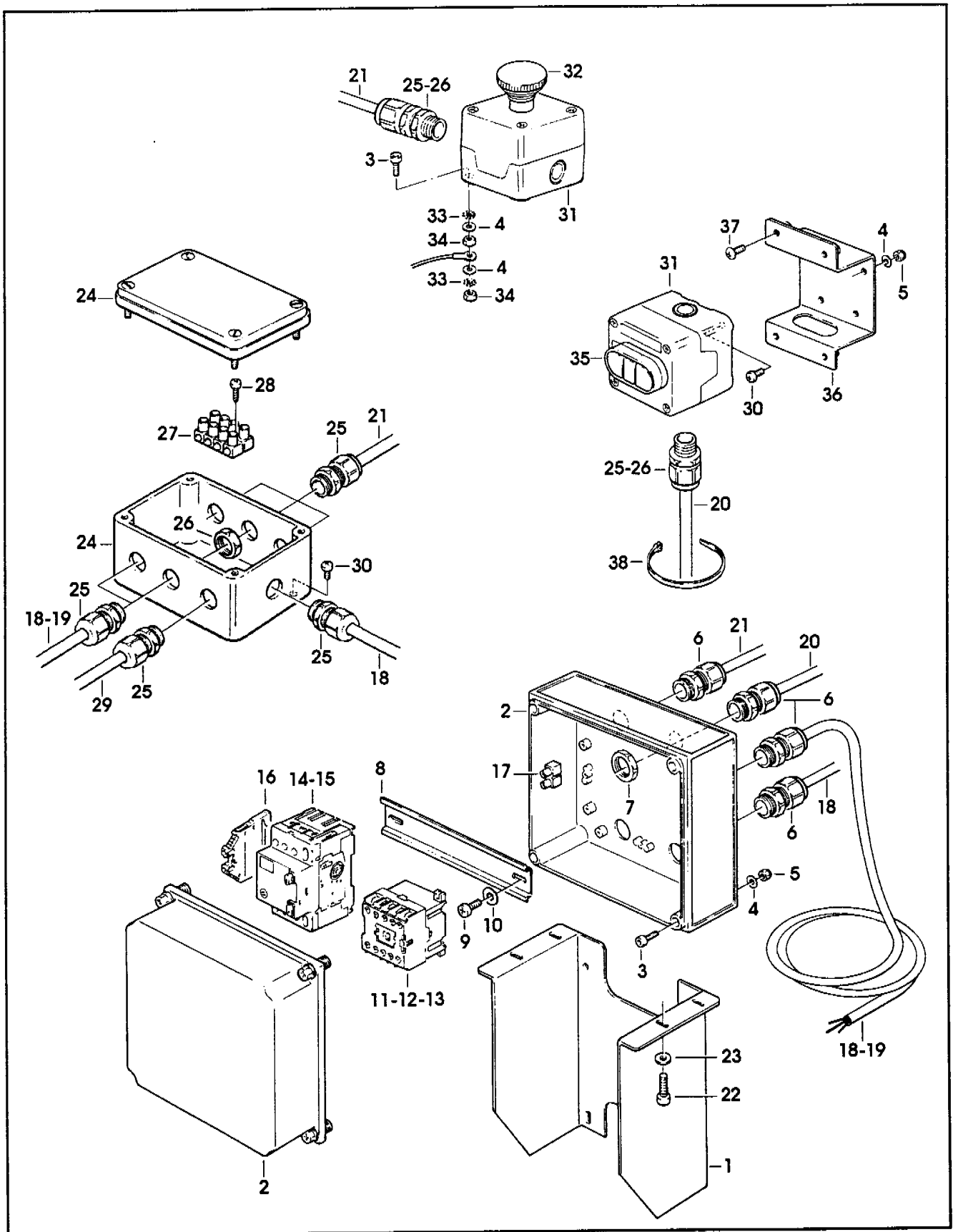
Lug. 1995

Fig. 5207

<b>Figura</b>	<b>Descrizione figura</b>	<b>Magaz.</b>	<b>Codice sec.</b>	<b>Descrizione</b>
5208,00	IMPIANTO ELETTRICO	0	78809548833	800r-I RANDOM CASE SEALER, Type 19500

Posizione	Cod.ric.sec.	Descrizione	U.M.	Quantita'
1,0	78809463793	SUPPORT - BOX	PZ	1,000
2,0	78809463801	BOX	PZ	1,000
3,0	78809463819	SCREW - SOC.HD, HEX.HD. M4X15	PZ	6,000
4,0	78800557403	WASHER PLAIN-METRIC 4MM NICK.	PZ	8,000
5,0	26100369144	NUT, PLASTIC INSERT M4	PZ	6,000
6,0	78807647157	CORD GRIP	PZ	4,000
7,0	78807652116	SET NUT GMP13.5	PZ	4,000
8,0	78809463827	GUIDE - MOUNTING	PZ	1,000
9,0	78802882080	SCREW - 6PX9,5	PZ	2,000
10,0	78801790185	WASHER-METRIC, PLAIN, M4 SPEC.	PZ	2,000
11,0	78809463835	CONTACTOR - CA4-5-10, 110V 60HZ	PZ	1,000
12,0	78810008306	CONTACTOR - CA4-5-10 220V 50HZ	PZ	1,000
13,0	78810008314	CONTACTOR - CA4-5-10 380V 50HZ	PZ	1,000
14,0	78810007555	SWITCH - KTA 3-25, 2.5-4 A	PZ	1,000
15,0	78807653783	SWITCH - THERMAL, KTA-3-25	PZ	1,000
16,0	78809463843	CLAMP - VGPE 4/6	PZ	1,000
17,0	78807648825	TERMINAL BOARD	PZ	0,800
18,0	78806080525	CABLE 4X1,5 5MT 3PH	PZ	2,000
19,0	78809104330	CABLE - 3X1.5 1-PHASE, 5 MT.	PZ	2,000
20,0	78807651761	CABLE FROR 07 3X0.75, 5 M.	PZ	1,000
21,0	78807652736	CABLE - 3X1, 5M	PZ	2,000
22,0	78801072105	SCREW - SOC.HD.HEX.SOC.M6X20	PZ	4,000
23,0	26100000103	WASHER - FLAT M6	PZ	4,000
24,0	78807648817	PULL BOX	PZ	1,000
25,0	78807645326	UNION	PZ	9,000
26,0	78807646456	LOCK NUT - GMP11	PZ	9,000
27,0	78807649682	TERMINAL	PZ	0,583
28,0	78809104348	SCREW - SELF-TAPPING 4.2X19	PZ	2,000
29,0	78810008322	WIRE - FROR 07 3X1 (5 M.)	PZ	1,000
30,0	78801792579	SCREW-PHILLIS HEAD, M4X10	PZ	6,000
31,0	78807651944	BOX - E-STOP	PZ	2,000
32,0	78809463850	E-STOP - 800EP-MTS643LX01	PZ	1,000
33,0	78807647165	STAR WASHER - M4	PZ	2,000
34,0	78801074168	NUT-METRIC, HEX, STEEL M4	PZ	2,000
35,0	78809463868	SWITCH - ON/OFF, DM3N-C-01/10	PZ	1,000
36,0	78809463876	SUPPORT - SWITCH	PZ	1,000
37,0	78806080871	SCREW, METRIC M5X10	PZ	4,000
38,0	78806080293	CLAMP, 140X3,5	PZ	2,000

=====  
Data 29/11/95



800r-I

Lug. 1995

Fig. 5208

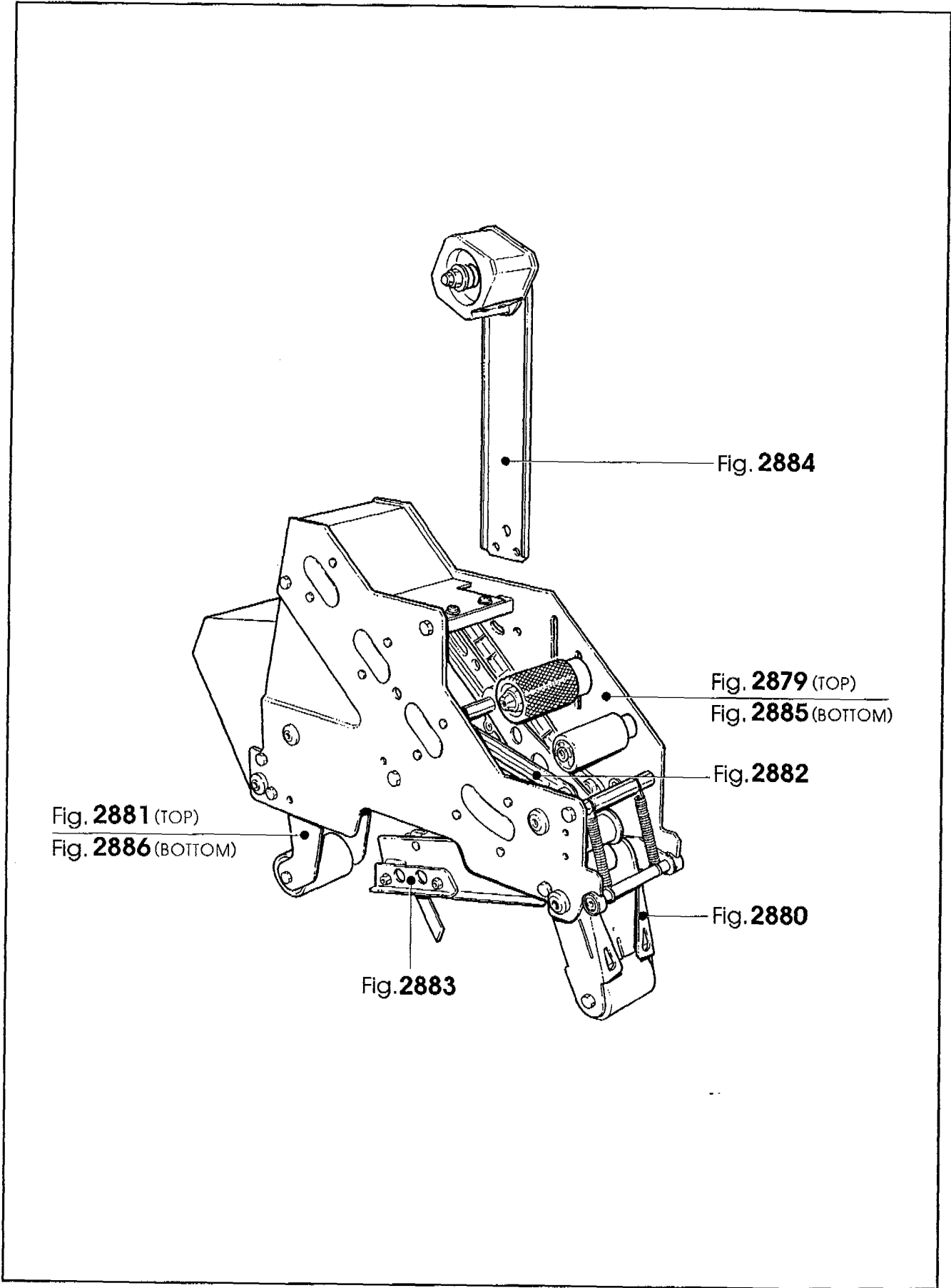
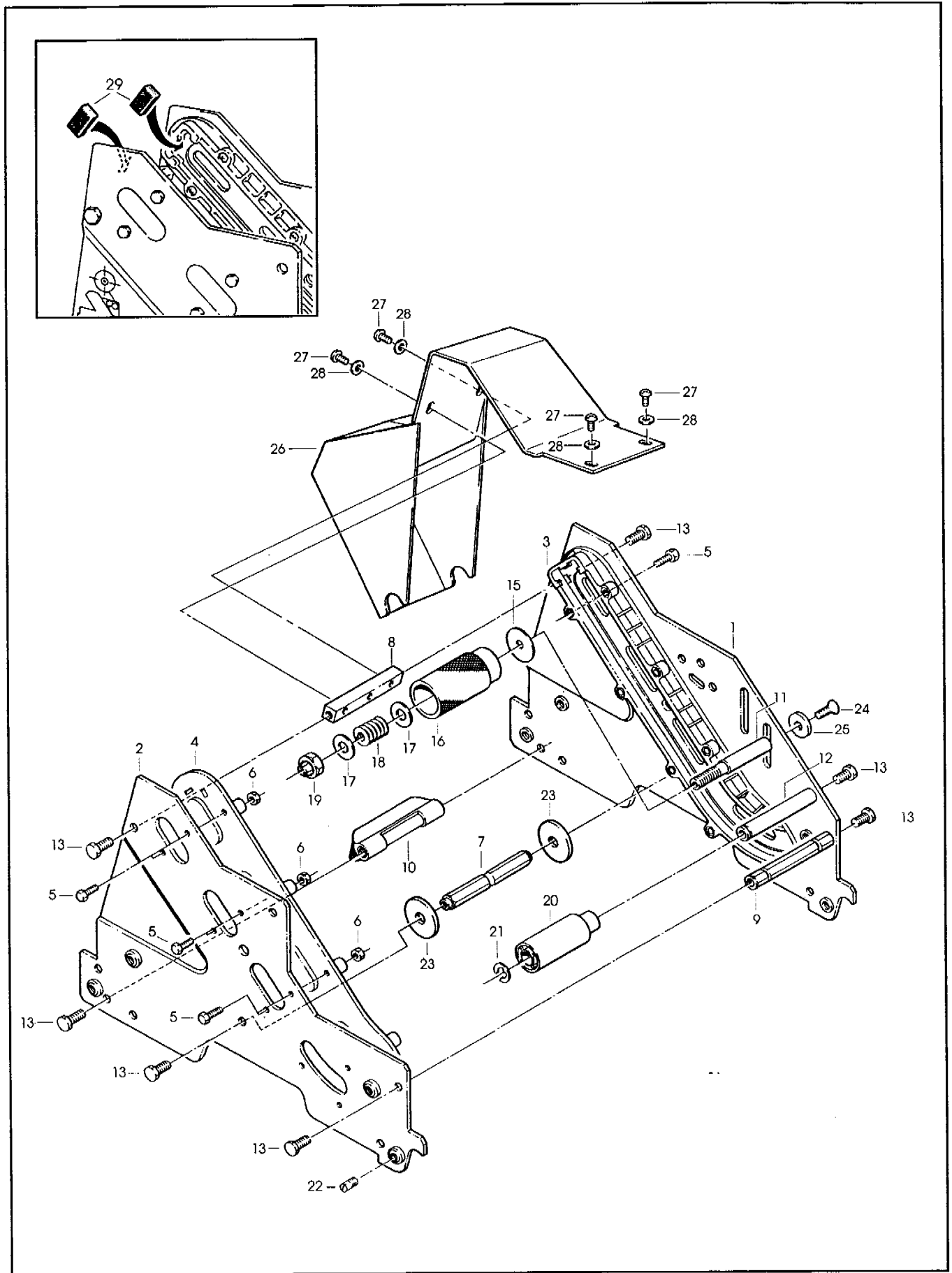


Figura	Descrizione figura	Magaz.	Codice	Descrizione
2879	GRUPPO SPALLE	0	000000K13TB	ACCUGLIDE HEAD 2" K13 TOP TYPE B

Posizione	Codice	Descrizione	U.M.	Quantita'
1	78807013863	FRAME - TAPE MOUNT UPPER ASS.Y	PZ	1
2	78807013871	FRAME - FRONT UPPER ASS.Y	PZ	1
3	78806841439	GUIDE - #1	PZ	1
4	78806841447	GUIDE - #2	PZ	1
5	83000273363	SCREW - HEX HD M4X14 ZINC.PL	PZ	18
6	78801074168	NUT-METRIC, HEX, STEEL M4	PZ	18
7	78807012519	SPACER - SPRING	PZ	1
8	78805487648	SPACER - 10X10X90MM	PZ	1
9	78805265606	SPACER - FRONT	PZ	1
10	78806079360	BRUSH ASSY	PZ	1
11	78805265648	SHAFT - TENSION ROLLER	PZ	1
12	78805265689	SHAFT - WRAP ROLLER	PZ	1
13	26100358295	SCREW HEX.HD.M6X12	PZ	9
15	78810010096	WASHER - SPECIAL	PZ	1
16	78805265655	ROLLER - TOP TENSION	PZ	1
17	78805265663	WASHER - FRICTION	PZ	2
18	78805265671	SPRING - COMPRESSION	PZ	1
19	78801790771	NUT - SELF-LOCKING M10X1	PZ	1
20	78805265697	ROLLER - WRAP	PZ	1
21	26100016133	RING - RETAINING 10DIN6799	PZ	1
22	78807645003	STUD - MOUNTING	PZ	4
23	78807652421	STOP - CUTOFF FRAME	PZ	2
24	78806081796	SCREW-FLAT HD HEX M6X20	PZ	1
25	78807654773	WASHER - SPECIAL /6.5X20X4	PZ	1
26	78810010476	GUARD - HEAD	PZ	1
27	78806080871	SCREW, METRIC M5X10	PZ	4
28	78800557411	WASHER - FLAT, M5	PZ	4
29	78807647348	BUMPER	PZ	2

==== Data 16/10/96





**K13-3M (TOP)**

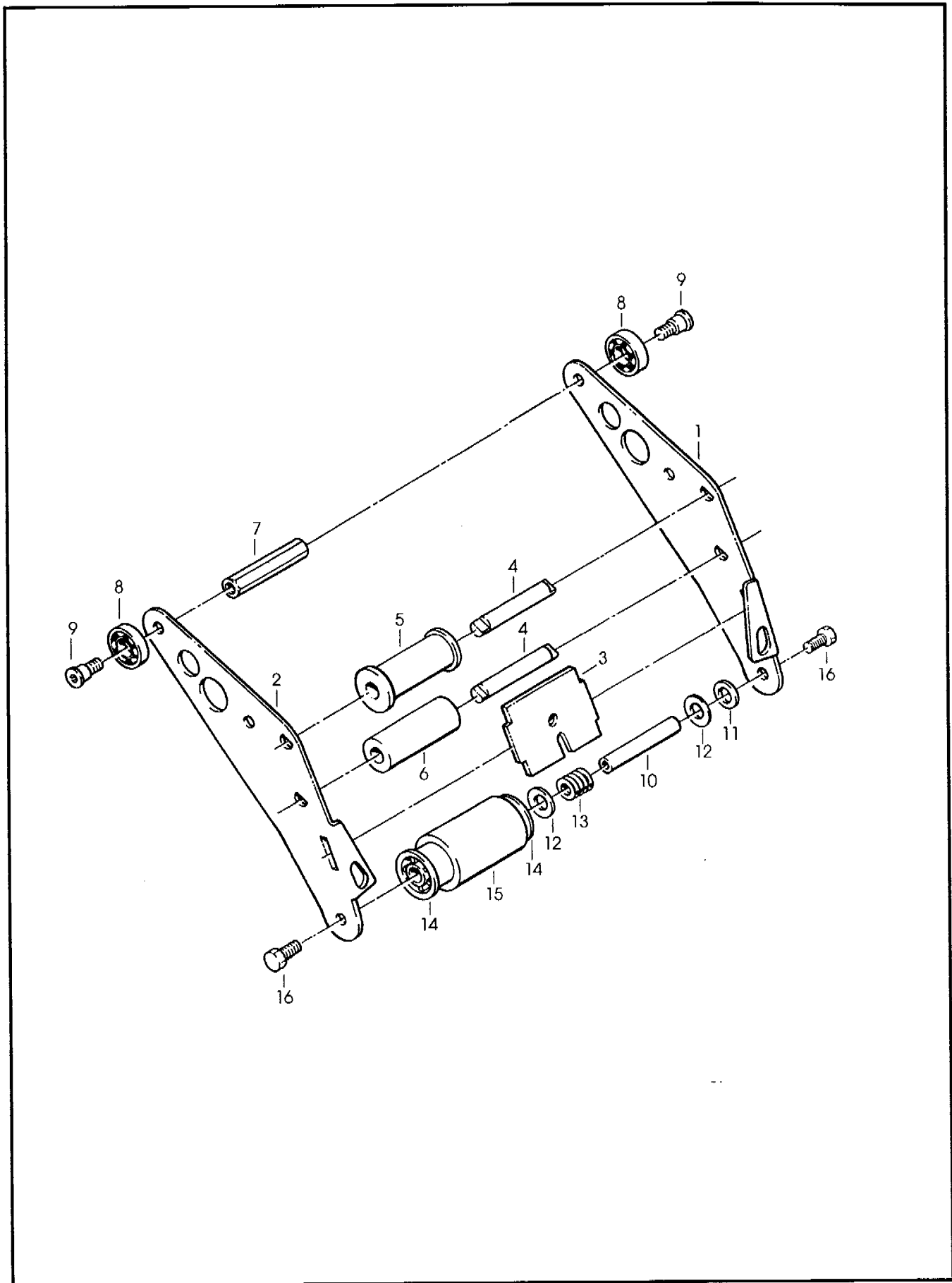
Ott. 96

**Fig. 2879**

Figura	Descrizione figura	Magaz.	Codice	Descrizione
2880	GRUPPO ENTRATA	0	78811408281	ACCUGLIDE II - 2", UPPER TYPE 39600

Posizione	Codice	Descrizione	U.M.	Quantita'
1	78807012063	ARM - APPLYING, R/H	PZ	1
2	78807012071	ARM - APPLYING, L/H	PZ	1
3	78807012212	PLATE - TAPE	PZ	1
4	78807013095	SHAFT - ROLLER	PZ	2
5	78807013673	ROLLER - KNURLED ASS'Y	PZ	1
6	78807012667	ROLLER - WRAP	PZ	1
7	78805265804	SPACER - REAR	PZ	1
8	78801790821	BEARING-SPECIAL 30MM	PZ	2
9	78801791068	SCREW-BEARING SHOULDER	PZ	2
10	78805265754	SHAFT - 10x60 W/HEXAGON	PZ	1
11	78801790748	WASHER-NYLON 15MM	PZ	1
12	78805265663	WASHER - FRICTION	PZ	2
13	78805265671	SPRING - COMPRESSION	PZ	1
14	78806083958	BUSHING-APPLYING ROLLER	PZ	1
15	78805761794	ROLLER - APPLYING	PZ	1
16	26100358295	SCREW HEX.HD.M6X12	PZ	2

Data 29/01/98



**K13-3M**

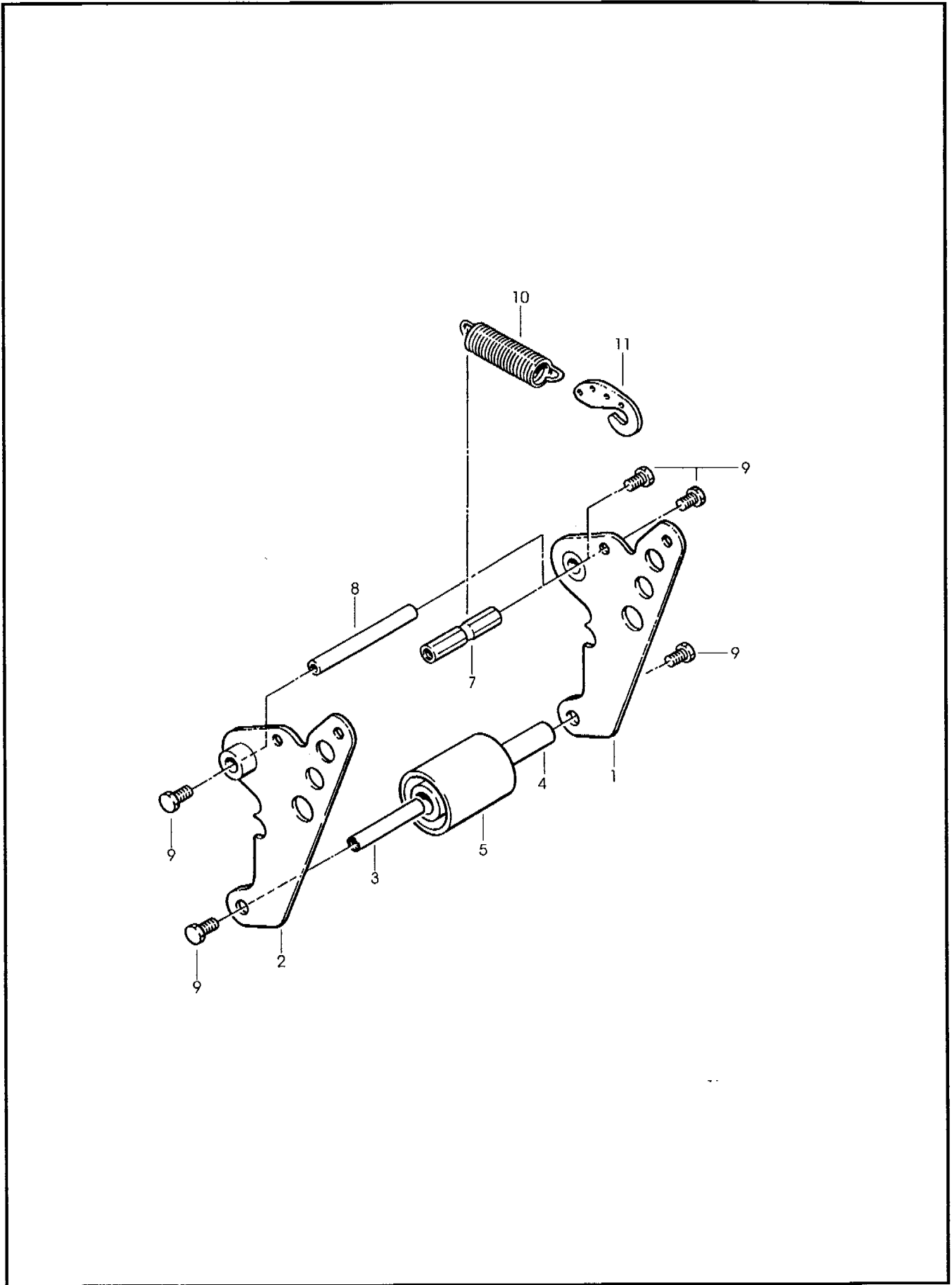
Giu. 96

**Fig. 2880**

Figura	Descrizione figura	Magaz.	Codice	Descrizione
2881	GRUPPO USCITA		0 00000K13TB	ACCUGLIDE HEAD 2" K13 TOP TYPE B

Posizione	Codice	Descrizione	U.M.	Quantita'
1	78807013921	BUFFING ARM SUB ASS.Y	PZ	1
2	78807013913	BUFFING ARM SUB ASSY	PZ	1
3	78805265754	SHAFT - ROLLER, 10X60	PZ	1
4	78805265861	BUSHING - BUFFING ROLLER	PZ	1
5	78805761786	ROLLER - BUFFING NM	PZ	1
7	78807012204	SPACER - SPRING	PZ	1
8	78801791092	SHAFT-10X90MM	PZ	1
9	26100358295	SCREW HEX.HD.M6X12	PZ	6
10	78807012741	SPRING - UPPER	PZ	1
11	78807012444	HOLDER - SPRING	PZ	1

=====  
 ===== Data 04/07/9



**K13-3M (TOP)**

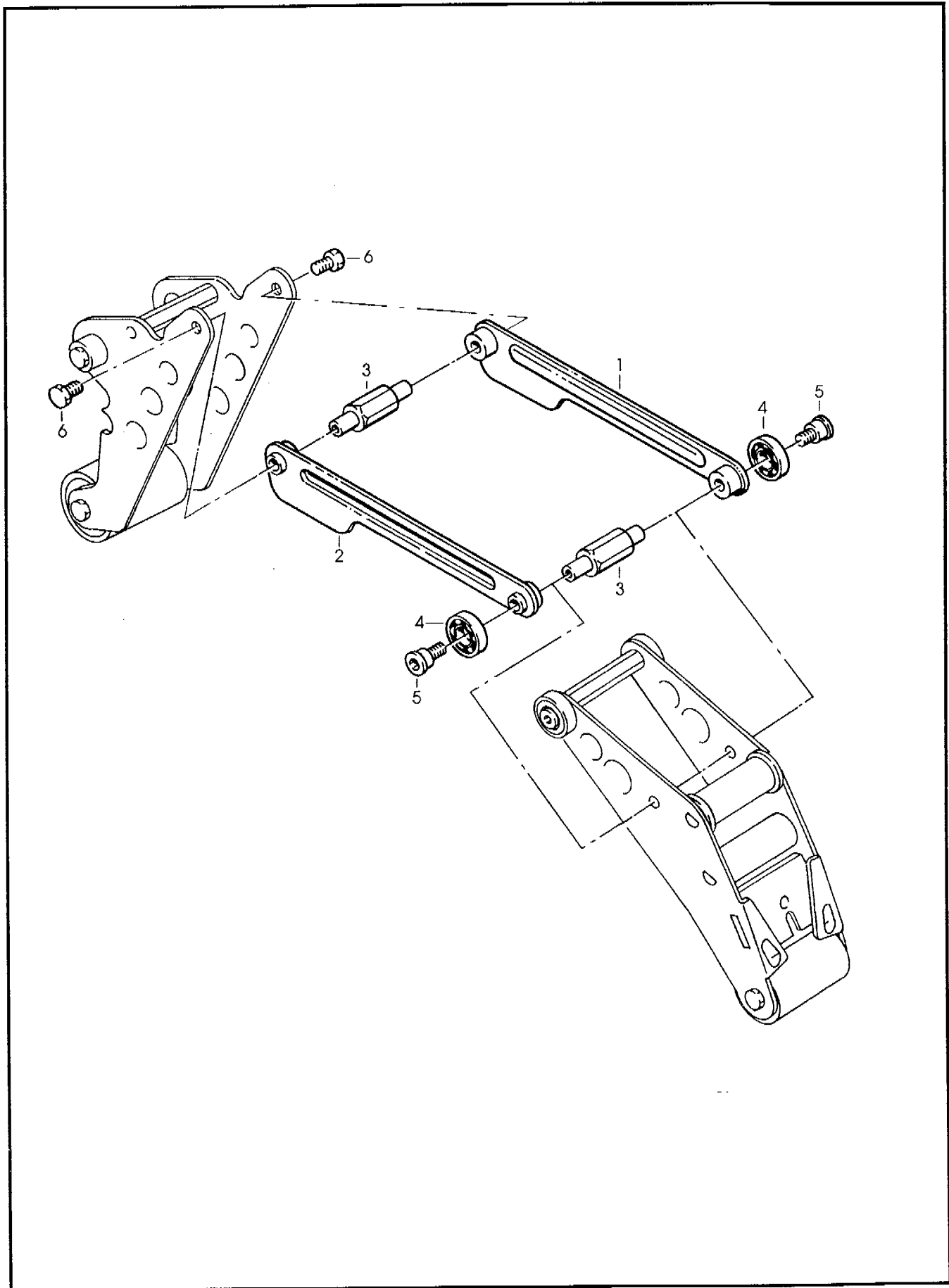
Giu. 96

**Fig. 2881**

Figura	Descrizione figura	Magaz.	Codice	Descrizione
2882	GRUPPO LEVE	0	000000K13TB	ACCUGLIDE HEAD 2" K13 TOP TYPE B

Posizione	Codice	Descrizione	U.M.	Quantita'
1	78807013889	LINK - ARM BUSHING ASS.Y	PZ	1
2	78807013897	LINK - ARM BUSHING ASS.Y	PZ	1
3	78807012717	SHAFT - PIVOT	PZ	2
4	78801790821	BEARING-SPECIAL 30MM	PZ	2
5	78801791068	SCREW-BEARING SHOULDER	PZ	2
6	26100358287	SCREW - SPEC., HEX. HD. M6X10	PZ	2

=====  
 ===== Data 04/07/9



**K13-3M**

Lug. 96

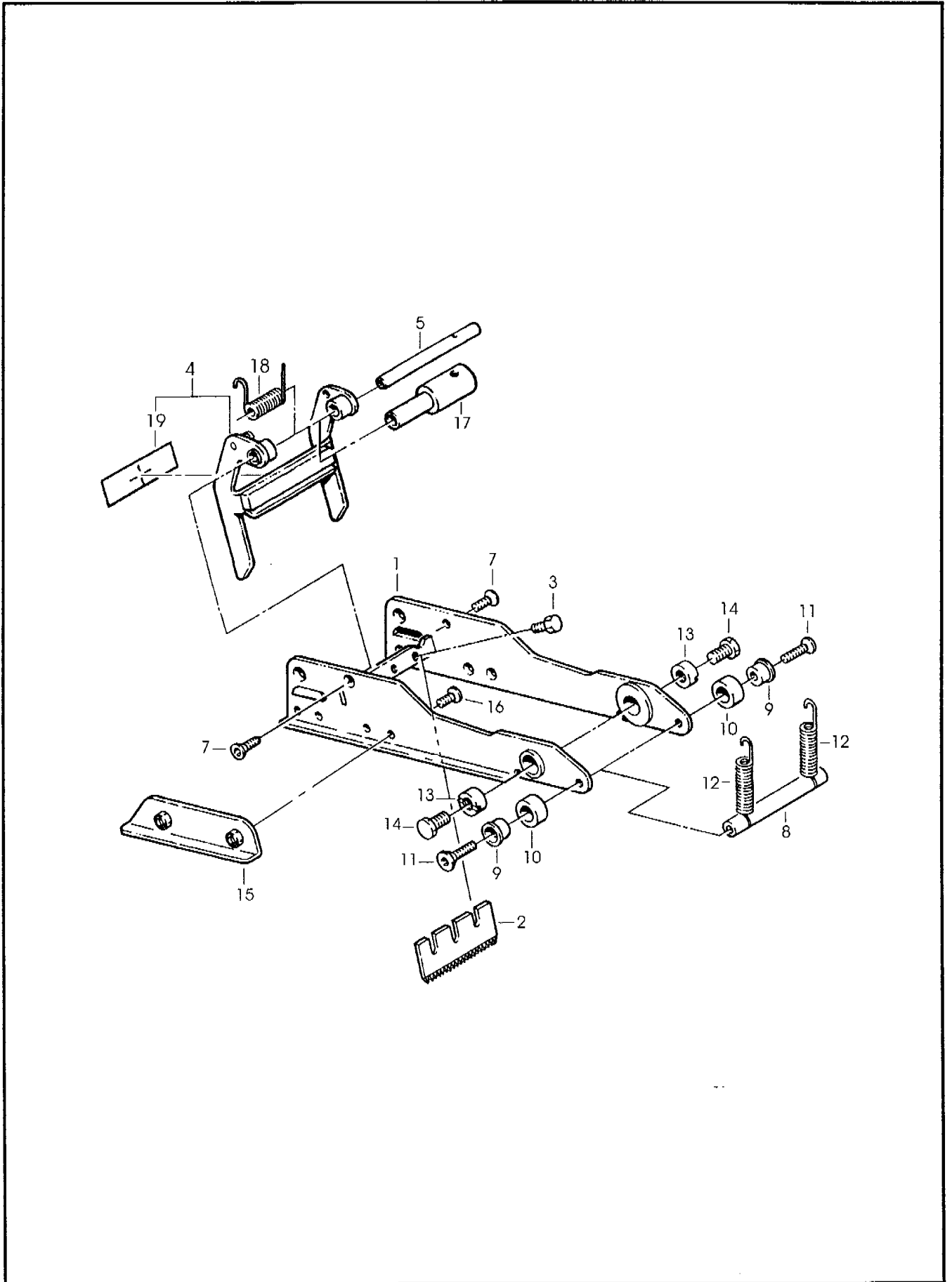
**Fig. 2882**

Figura	Descrizione figura	Magaz.	Codice	Descrizione
2883	GRUPPO PORTALAMA	0	78811408281	ACCUGLIDE II - 2", UPPER TYPE 39600

Posizione	Codice	Descrizione	U.M.	Quantita'
1	78807012170	FRAME - CUTOFF WELDMENT	PZ	1
2	78801791738	KNIFE - 65mm/2.56 Inch	PZ	1
3	26100258172	SCREW - HEX HD M5X8 ZINC.PL	PZ	2
4	78807013715	GUARD - BLADE ASS'Y	PZ	1
5	78805265978	SHAFT-BLADE GUARD	PZ	1
7	26100547582	SCREW - FLAT HD, SOC.DR. M4X10	PZ	2
8	78801791357	SHAFT - SPACER	PZ	1
9	78805266000	SPACER	PZ	2
10	78807012691	BUMPER	PZ	2
11	26100547574	SCREW - FLAT HD, SOC.DR. M5X20	PZ	2
12	78805266026	SPRING - CUTTER	PZ	2
13	78801791324	PIVOT-CUTTER LEVER	PZ	2
14	26100358287	SCREW - SPEC., HEX. HD. M6X10	PZ	2
15	78807012162	SLIDE - EXTENSION	PZ	2
16	26100865745	SCREW - FLAT HD, PHIL.DR.M4X10	PZ	4
17	78811370317	BUSHING - 59.5 mm LONG	PZ	1
18	78811370309	SPRING - TORSION	PZ	1
19	78807013350	LABEL - WARNING, SHARP KNIFE	PZ	1

Data 25/03/9





K13-3M

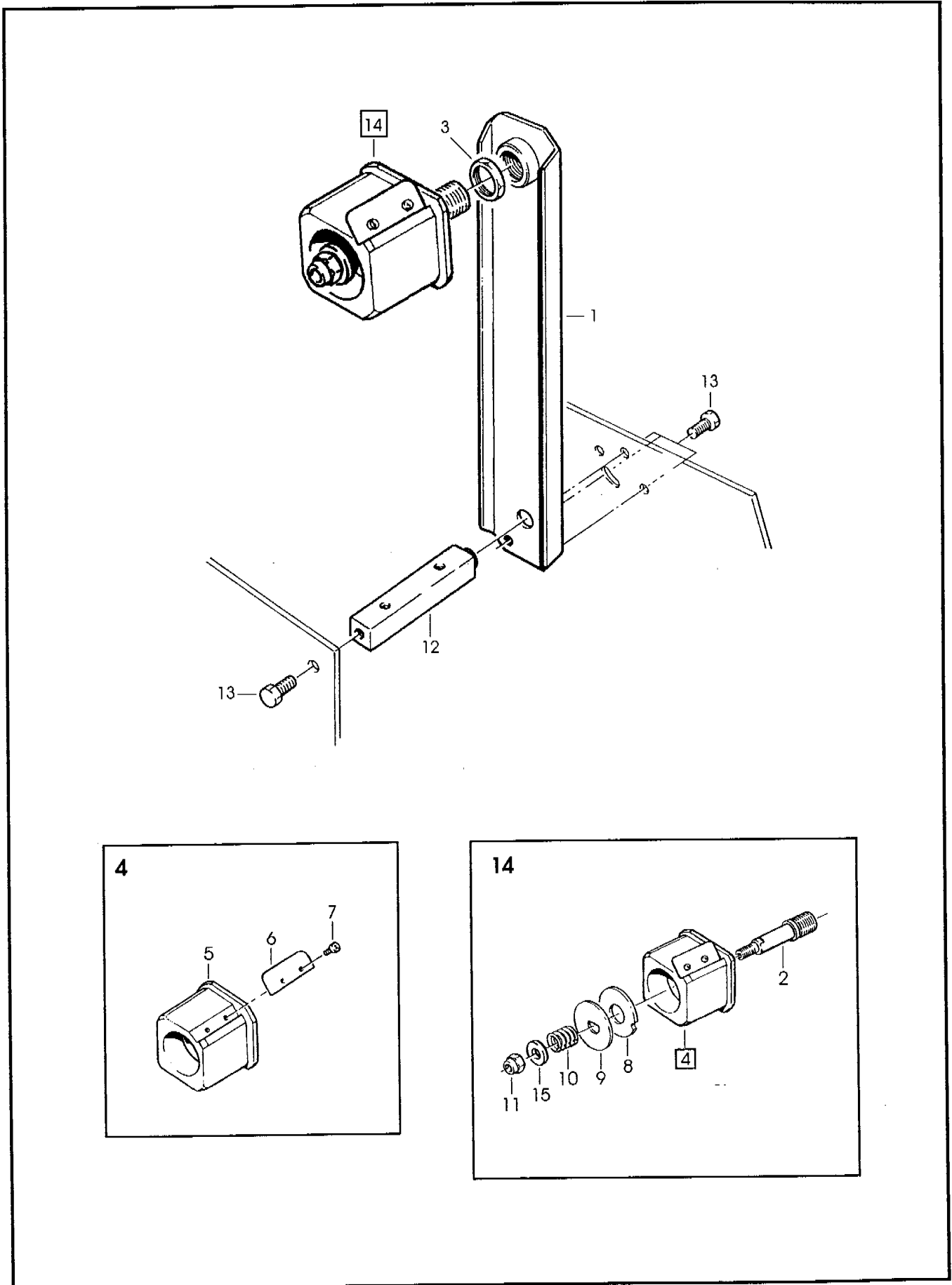
Mar. 98

Fig. 2883

Figura	Descrizione figura	Magaz.	Codice	Descrizione
2884	GRUPPO PORTAROTOLO	0	00000K13TB	ACCUGLIDE HEAD 2" K13 TOP TYPE B

Posizione	Codice	Descrizione	U.M.	Quantita'
1	78807013954	BRACKET - BUSHING ASS.Y	PZ	1
2	78807645193	SHAFT - TAPE DRUM	PZ	1
3	78801791696	NUT-M18X1	PZ	1
4	78807015694	TAPE DRUM ASSY - 2" WIDE	PZ	1
5	78805267495	TAPE DRUM	PZ	1
6	78805262686	LEAF SPRING	PZ	1
7	26100257539	SCREW-SELF TAPPING	PZ	2
8	78806081721	WASHER-FRICTION	PZ	1
9	78805262710	WASHER-TAPE DRUM	PZ	1
10	78810010484	SPRING - CORE HOLDER	PZ	1
11	78801790771	NUT - SELF-LOCKING M10X1	PZ	1
12	78810010468	SPACER - BRACKET	PZ	1
13	26100358295	SCREW HEX.HD.M6X12	PZ	4
14	78806084741	TAPE DRUM ASS.Y 2" HEAD W/O BRACKET/LOCK PLATE	PZ	1
15	26100455109	WASHER - PLAIN, M10	PZ	1

=====  
Data 09/07/96



**K13-3M**

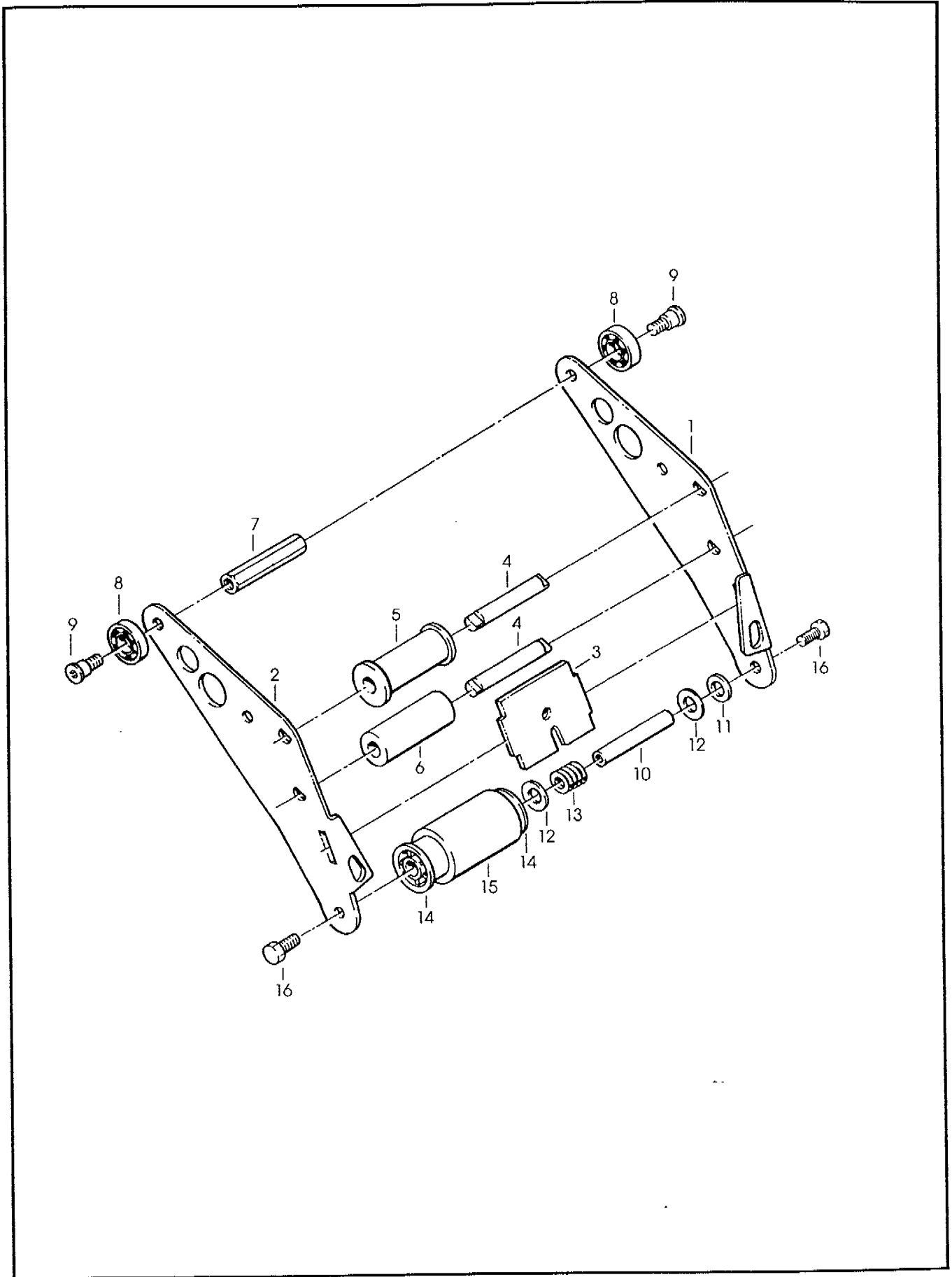
Lug. 96

Fig. **2884**

Figura	Descrizione figura	Magaz.	Codice	Descrizione
2880	GRUPPO ENTRATA	0	78811408299	ACCUGLIDE II - 2", LOWER TYPE 39600

Posizione	Codice	Descrizione	U.M.	Quantita'
1	78807012063	ARM - APPLYING, R/H	PZ	1
2	78807012071	ARM - APPLYING, L/H	PZ	1
3	78807012212	PLATE - TAPE	PZ	1
4	78807013095	SHAFT - ROLLER	PZ	2
5	78807013673	ROLLER - KNURLED ASS'Y	PZ	1
6	78807012667	ROLLER - WRAP	PZ	1
7	78805265804	SPACER - REAR	PZ	1
8	78801790821	BEARING-SPECIAL 30MM	PZ	2
9	78801791068	SCREW-BEARING SHOULDER	PZ	2
10	78805265754	SHAFT - 10x60 W/HEXAGON	PZ	1
11	78801790748	WASHER-NYLON 15MM	PZ	1
12	78805265663	WASHER - FRICTION	PZ	2
13	78805265671	SPRING - COMPRESSION	PZ	1
14	78806083958	BUSHING-APPLYING ROLLER	PZ	1
15	78805761794	ROLLER - APPLYING	PZ	1
16	26100358295	SCREW HEX.HD.M6X12	PZ	2

Data 29/01/98



K13-3M

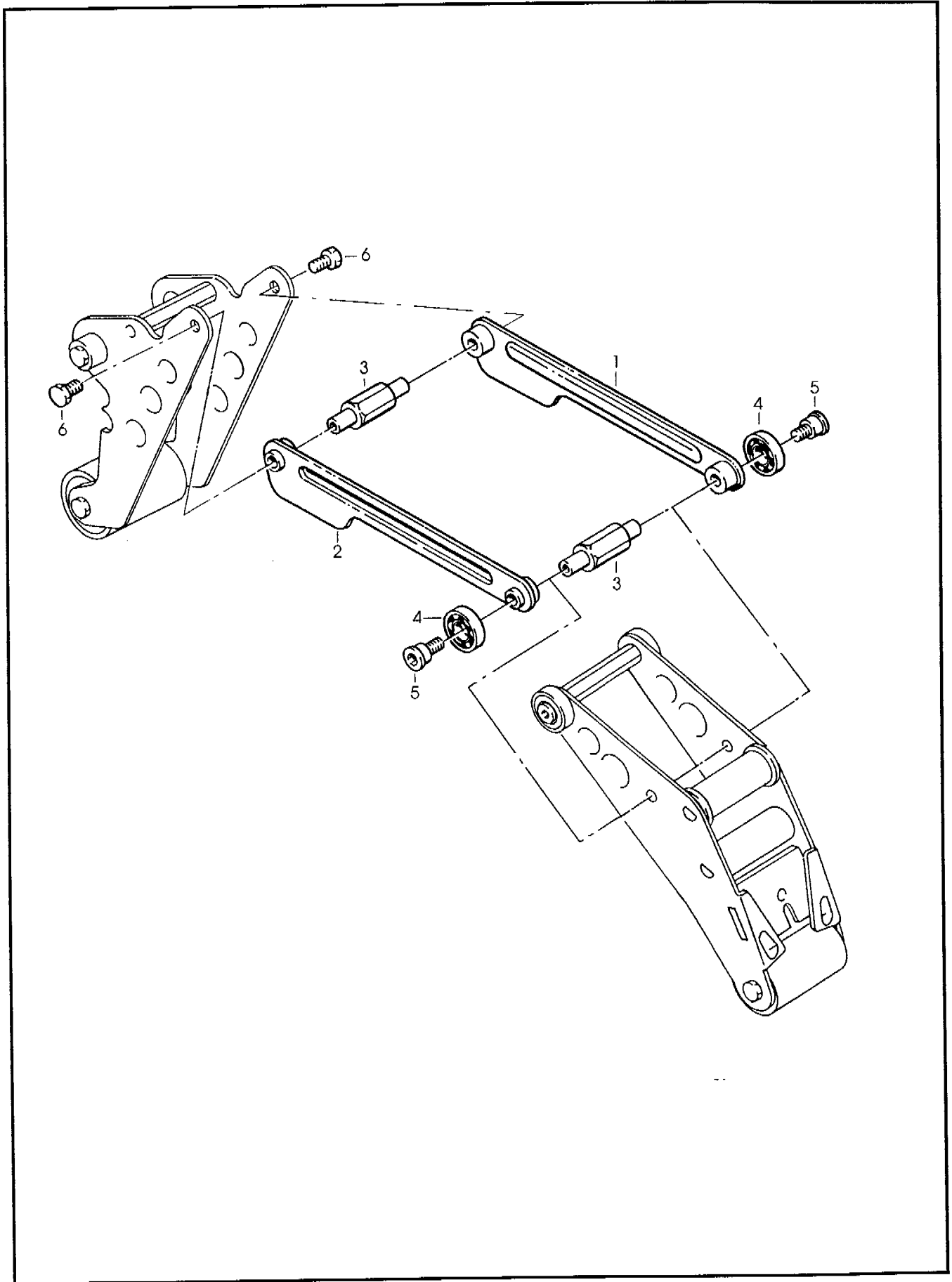
Giu. 96

Fig. 2880

Figura	Descrizione figura	Magaz.	Codice	Descrizione
2882	GRUPPO LEVE	0	000000K138B	ACCUGLIDE HEAD 2" K13 BOTTOM TYPE B

Posizione	Codice	Descrizione	U.M.	Quantita'
1	78807013889	LINK - ARM BUSHING ASS.Y	PZ	1
2	78807013897	LINK - ARM BUSHING ASS.Y	PZ	1
3	78807012717	SHAFT - PIVOT	PZ	2
4	78801790821	BEARING-SPECIAL 30MM	PZ	2
5	78801791068	SCREW-BEARING SHOULDER	PZ	2
6	26100358287	SCREW - SPEC., HEX. HD. M6X10	PZ	2

=====  
Data 04/07/96



**K13-3M**

Lug. 96

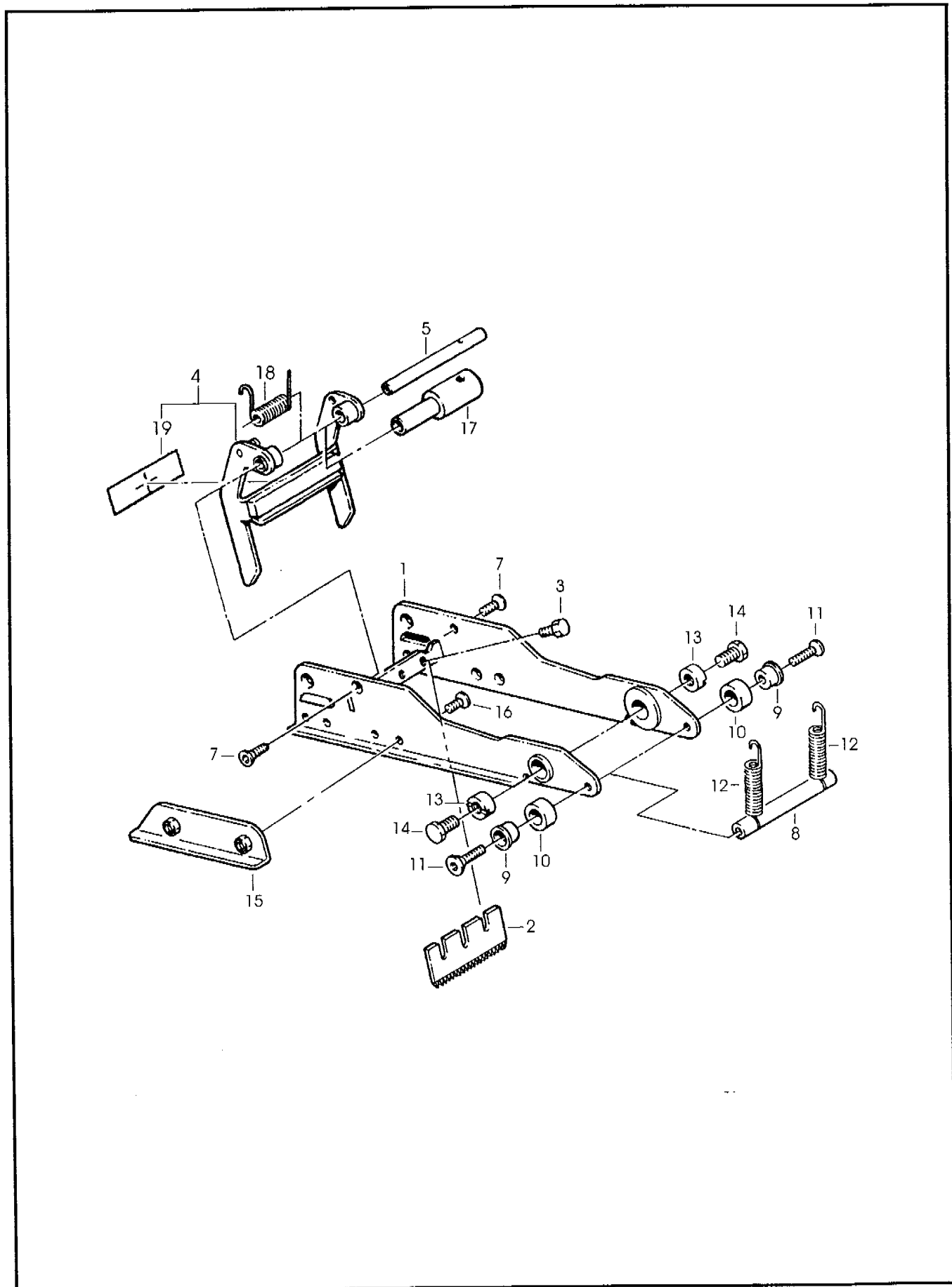
**Fig. 2882**

Figura	Descrizione figura	Magaz.	Codice	Descrizione
2883	GRUPPO PORTALAMA	0	78811408299	ACCUGLIDE II - 2". LOWER TYPE 39600

Posizione	Codice	Descrizione	U.M.	Quantita'
1	78807012170	FRAME - CUTOFF WELDMENT	PZ	1
2	78801791738	KNIFE - 65mm/2.56 Inch	PZ	1
3	26100258172	SCREW - HEX HD M5X8 ZINC.PL	PZ	2
4	78807013715	GUARD - BLADE ASS'Y	PZ	1
5	78805265978	SHAFT-BLADE GUARD	PZ	1
7	26100547582	SCREW - FLAT HD, SOC.DR. M4X10	PZ	2
8	78801791357	SHAFT - SPACER	PZ	1
9	78805266000	SPACER	PZ	2
10	78807012691	BUMPER	PZ	2
11	26100547574	SCREW - FLAT HD, SOC.DR. M5X20	PZ	2
12	78805266026	SPRING - CUTTER	PZ	2
13	78801791324	PIVOT-CUTTER LEVER	PZ	2
14	26100358287	SCREW - SPEC., HEX. HD. M6X10	PZ	2
15	78807012162	SLIDE - EXTENSION	PZ	2
16	26100865745	SCREW - FLAT HD, PHIL.DR.M4X10	PZ	4
17	78811370317	BUSHING - 59.5 mm LONG	PZ	1
18	78811370309	SPRING - TORSION	PZ	1
19	78807013350	LABEL - WARNING, SHARP KNIFE	PZ	1

Data 25/03/98





K13-3M

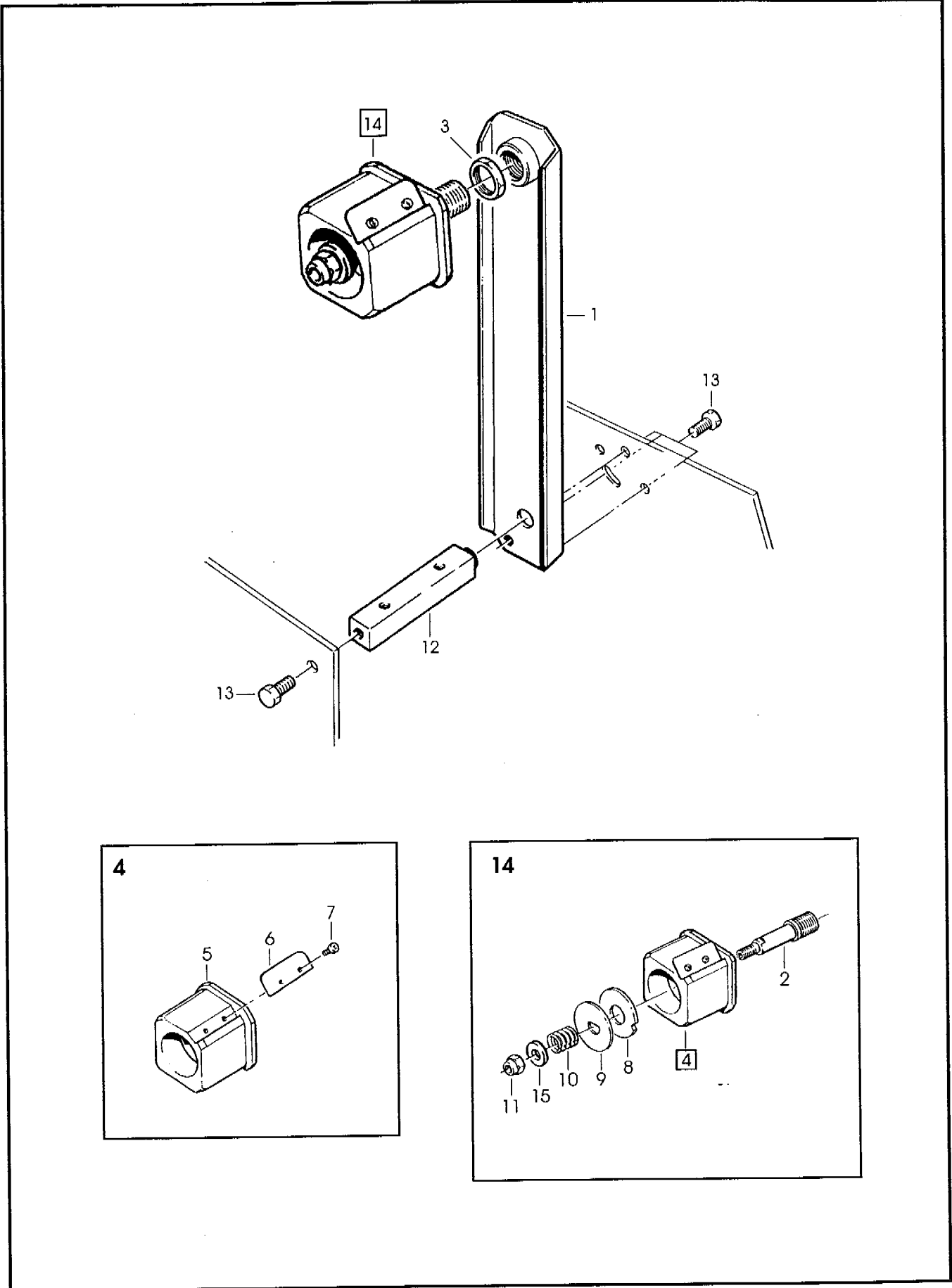
Mar. 98

Fig. 2883

Figura	Descrizione figura	Magaz.	Codice	Descrizione
2884	GRUPPO PORTAROTOLO	0	000000K1388	ACCUGLIDE HEAD 2" K13 BOTTOM TYPE B

Posizione	Codice	Descrizione	U.M.	Quantita'
1	78807013954	BRACKET - BUSHING ASS.Y	PZ	1
2	78807645193	SHAFT - TAPE DRUM	PZ	1
3	78801791696	NUT-M18X1	PZ	1
4	78807015694	TAPE DRUM ASSY - 2" WIDE	PZ	1
5	78805267495	TAPE DRUM	PZ	1
6	78805262686	LEAF SPRING	PZ	1
7	26100257539	SCREW-SELF TAPPING	PZ	2
8	78806081721	WASHER-FRICTION	PZ	1
9	78805262710	WASHER-TAPE DRUM	PZ	1
10	78810010484	SPRING - CORE HOLDER	PZ	1
11	78801790771	NUT - SELF-LOCKING M10X1	PZ	1
12	78810010468	SPACER - BRACKET	PZ	1
13	26100358295	SCREW HEX.HD.M6X12	PZ	4
14	78806084741	TAPE DRUM ASS.Y 2" HEAD W/O BRACKET/LOCK PLATE	PZ	1
15	26100455109	WASHER - PLAIN, M10	PZ	1

=====  
Data 09/07/96



**K13-3M**

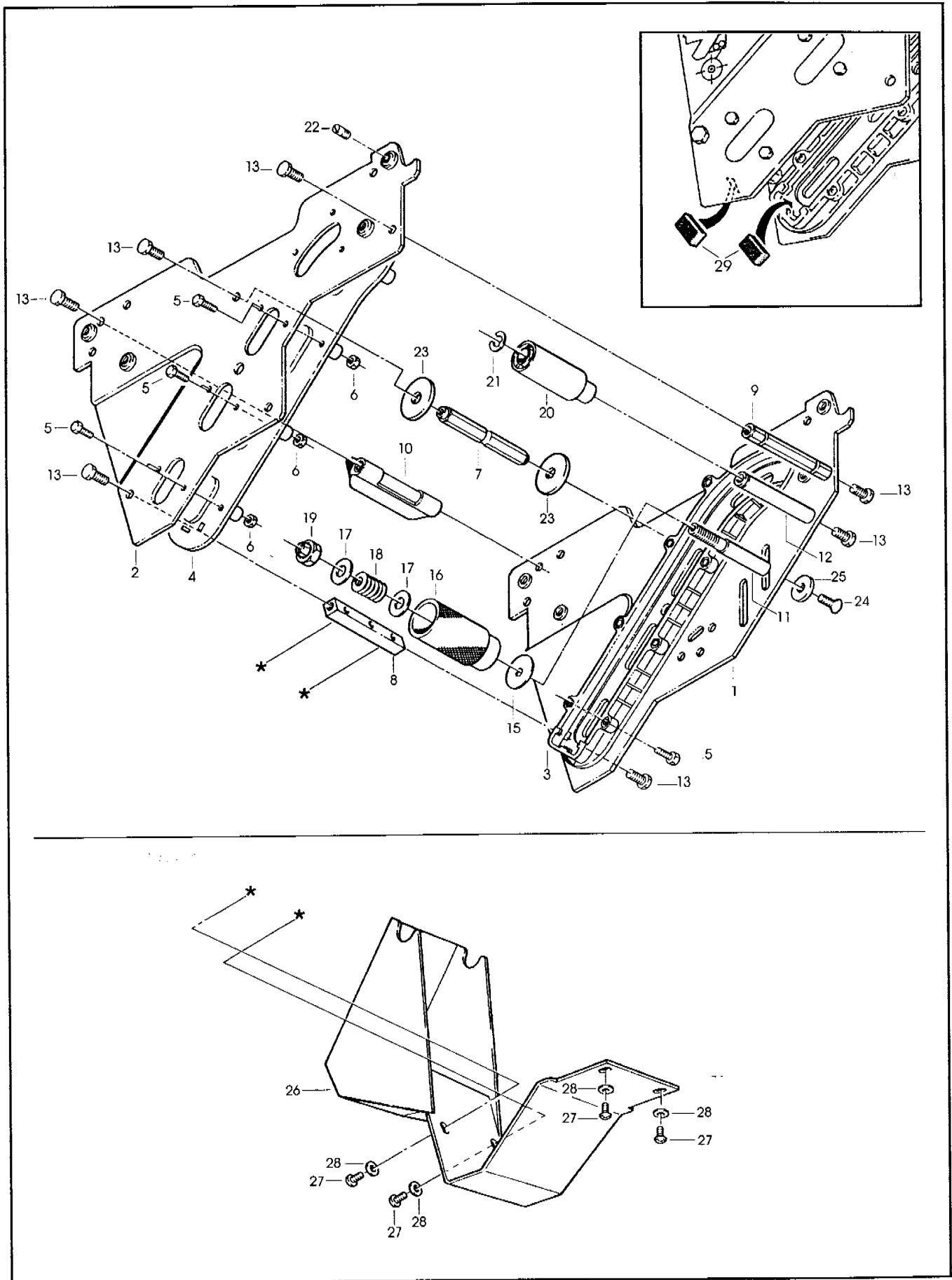
Lug. 96

**Fig. 2884**

Figura	Descrizione figura	Magaz.	Codice	Descrizione
2885	GRUPPO SPALLE	0	000000K13B8	ACCUGLIDE HEAD 2" K13 BOTTOM TYPE B

Posizione	Codice	Descrizione	U.M.	Quantita'
1	78807013699	FRAME - TAPE MOUNT LOWER ASSY	PZ	1
2	78807013707	FRAME - FRONT LOWER ASSY	PZ	1
3	78806841447	GUIDE - #2	PZ	1
4	78806841439	GUIDE - #1	PZ	1
5	83000273363	SCREW - HEX HD M4X14 ZINC.PL	PZ	18
6	78801074168	NUT-METRIC, HEX, STEEL M4	PZ	18
7	78807012519	SPACER - SPRING	PZ	1
8	78805487648	SPACER - 10X10X90MM	PZ	1
9	78805265606	SPACER - FRONT	PZ	1
10	78806079360	BRUSH ASSY	PZ	1
11	78805265648	SHAFT - TENSION ROLLER	PZ	1
12	78805265689	SHAFT - WRAP ROLLER	PZ	1
13	26100358295	SCREW HEX.HD.M6X12	PZ	9
15	78810010096	WASHER - SPECIAL	PZ	1
16	78805266067	ROLLER - TENSION BOTTOM	PZ	1
17	78805265663	WASHER - FRICTION	PZ	2
18	78805265671	SPRING - COMPRESSION	PZ	1
19	78801790771	NUT - SELF-LOCKING M10X1	PZ	1
20	78805265697	ROLLER - WRAP	PZ	1
21	26100016133	RING - RETAINING 10DIN6799	PZ	1
22	78807645003	STUD - MOUNTING	PZ	4
23	78807652421	STOP - CUTOFF FRAME	PZ	2
24	78806081796	SCREW-FLAT HD HEX M6X20	PZ	1
25	78807654773	WASHER - SPECIAL /6.5X20X4	PZ	1
26	78810010476	GUARD - HEAD	PZ	1
27	78806080871	SCREW, METRIC M5X10	PZ	4
28	78800557411	WASHER - FLAT, M5	PZ	4
29	78807647348	BUMPER	PZ	2

=====  
Data 16/10/96



**K13-3M (BOTTOM)**

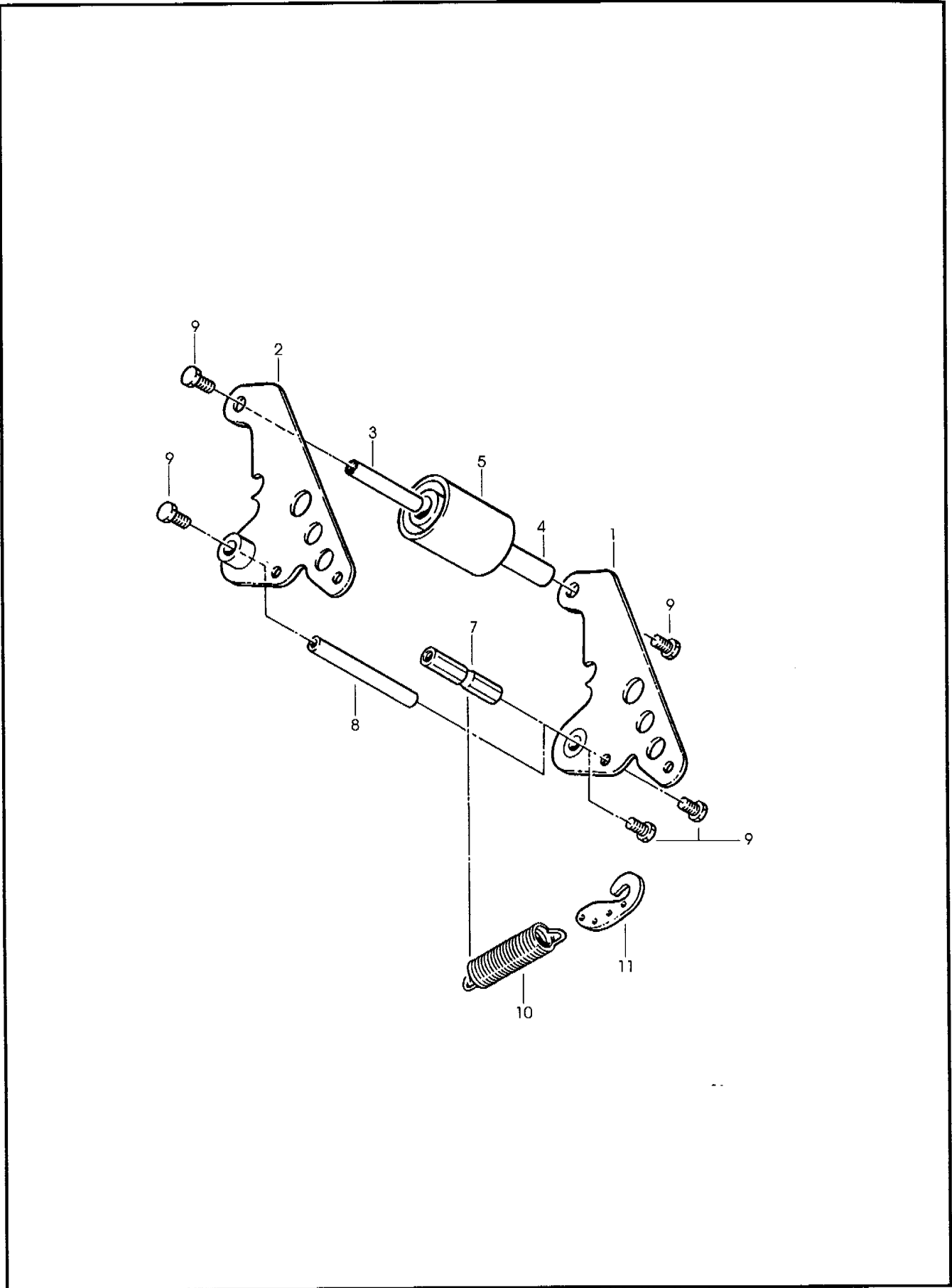
Ott. 96

**Fig. 2885**

Figura	Descrizione figura	Magaz.	Codice	Descrizione
2886	GRUPPO USCITA	0	000000K138B	ACCUGLIDE HEAD 2" K13 BOTTOM TYPE B

Posizione	Codice	Descrizione	U.M.	Quantita'
1	78807013913	BUFFING ARM SUB ASSY	PZ	1
2	78807013921	BUFFING ARM SUB ASS.Y	PZ	1
3	78805265754	SHAFT - ROLLER, 10X60	PZ	1
4	78805265861	BUSHING - BUFFING ROLLER	PZ	1
5	78805761786	ROLLER - BUFFING NM	PZ	1
7	78807012204	SPACER - SPRING	PZ	1
8	78801791092	SHAFT-10X90MM	PZ	1
9	26100358295	SCREW HEX.HD.M6X12	PZ	6
10	78807012733	SPRING - LOWER	PZ	1
11	78807012444	HOLDER - SPRING	PZ	1

=====  
===== Data 04/07/96



**K13-3M** (BOTTOM)

Giu. 96

Fig. **2886**