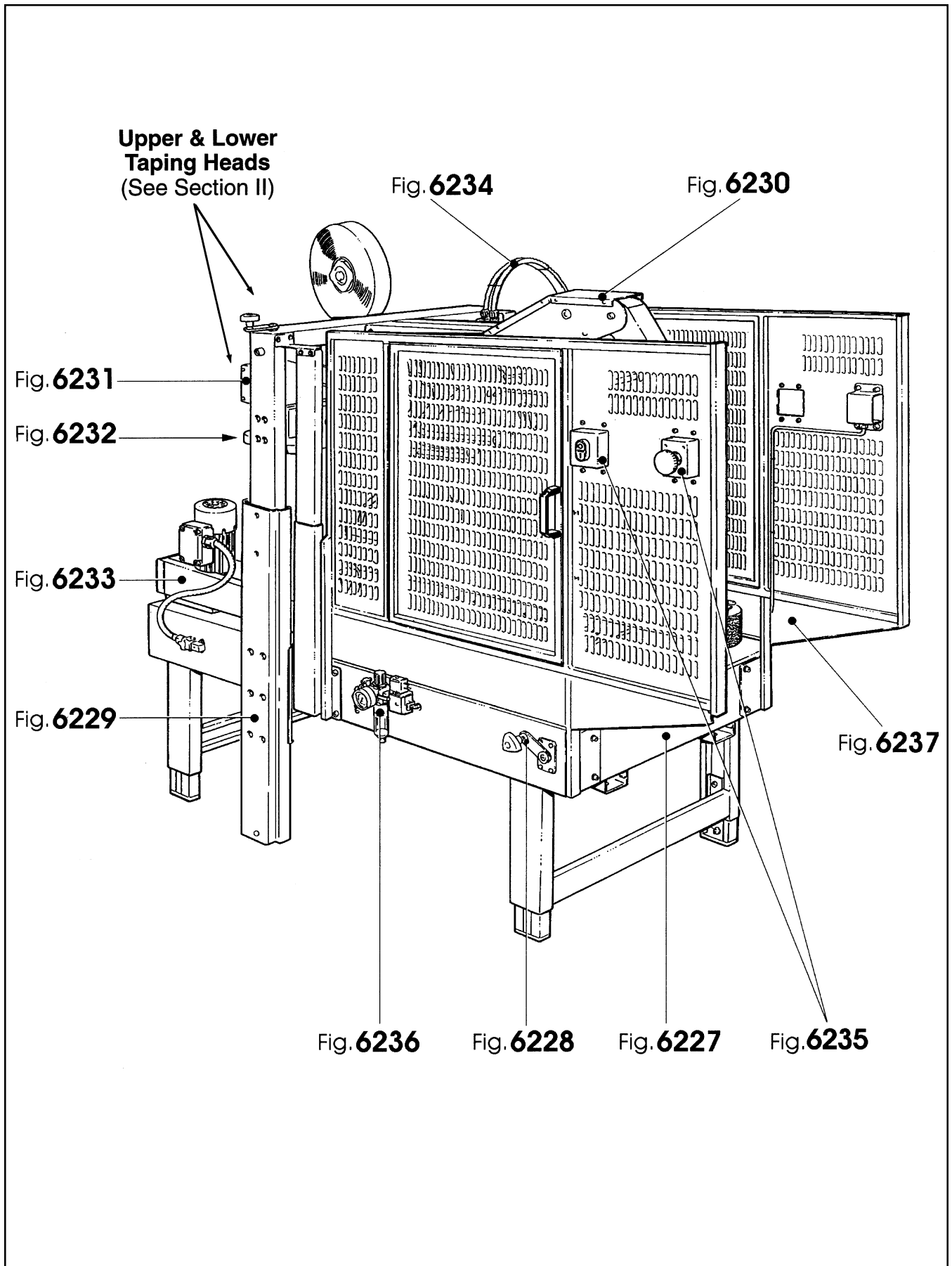


120af Adjustable Case Sealer



Frame Assemblies

120af Adjustable Case Sealer

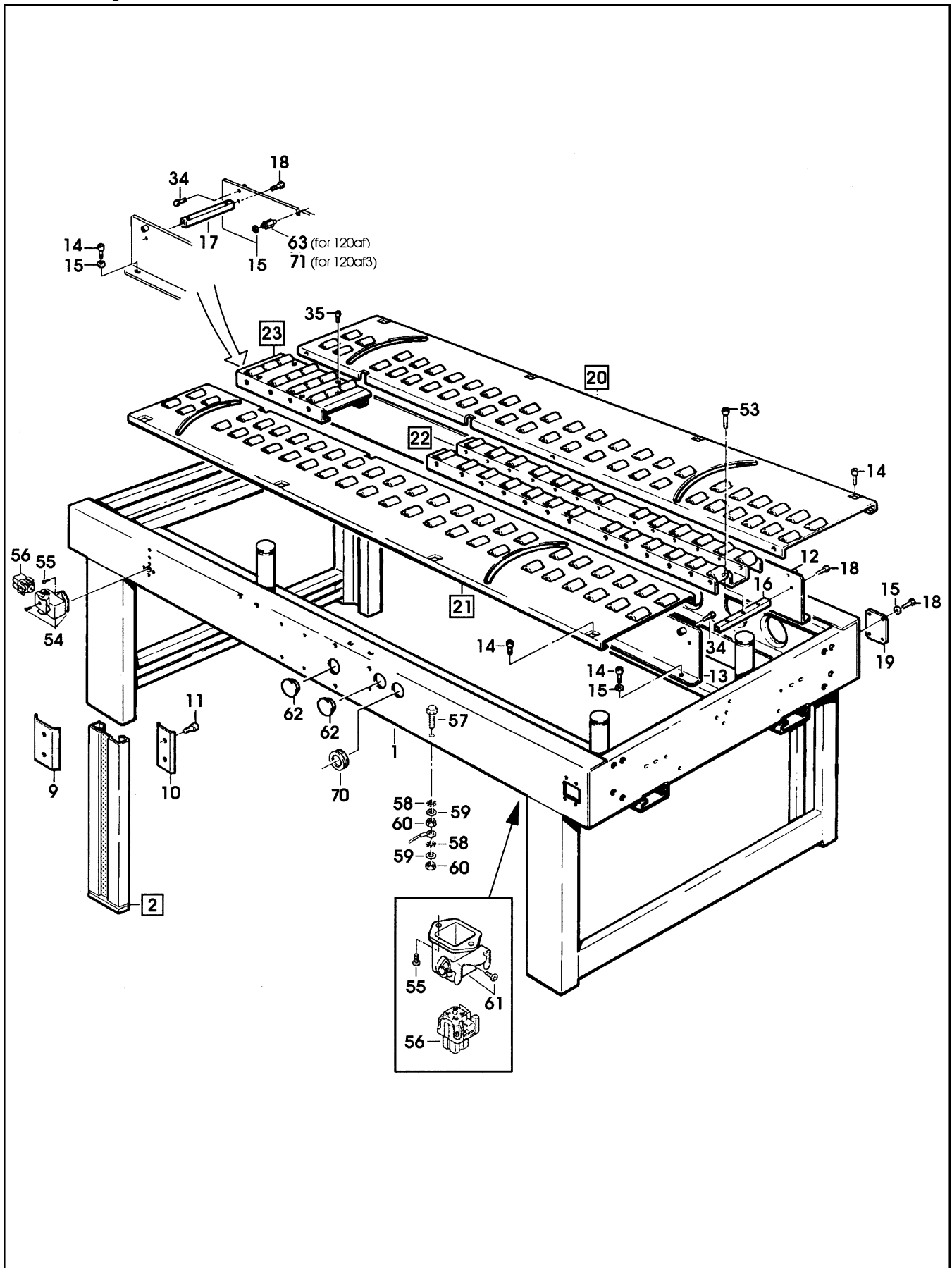


Figure 6227/1 of 3

Figure 6227 (page 1 of 3)

Ref. No.	3M Part No.	Description
6227-1	78-8100-1245-6	Bed Conveyor
6227-2	78-8094-6389-2	Leg Assembly – Inner
6227-3	78-8100-1246-4	Leg – Inner
6227-4	78-8060-8480-8	Pad – Foot
6227-5	78-8055-0867-4	Screw – Hex Hd, M8 x 30
6227-6	26-1004-5507-5	Washer – M8
6227-7	78-8017-9313-0	Nut – Self Locking, M8
6227-8	78-8100-1247-2	Label – Height
6227-9	78-8052-6677-8	Clamp – Inner
6227-10	78-8052-6676-0	Clamp – Outer
6227-11	26-1003-7963-0	Screw – Soc Hd, M8 x 16
6227-12	78-8060-7953-5	Center Frame – Right
6227-13	78-8060-7954-3	Center Frame – Left
6227-14	78-8010-7209-7	Screw – Soc Hd, M6 x 12
6227-15	26-1000-0010-3	Washer – Flat, M6
6227-16	78-8054-8867-9	Spacer – Valve Holder
6227-17	78-8060-7955-0	Spacer – Center Frame
6227-18	78-8010-7169-3	Screw – Hex Hd, M6 x 12
6227-19	78-8076-4761-1	Plate
6227-20	78-8119-6502-5	Conveyor Assembly – Right, W/English Labels
6227-21	78-8119-6503-3	Conveyor Assembly – Left, W/English Labels
6227-22	78-8100-1248-0	Conveyor Assembly – Center
6227-23	78-8060-7959-2	Conveyor Assembly – Rear
6227-24	78-8119-6469-7	Conveyor – R/H, W/English Labels

120af Adjustable Case Sealer

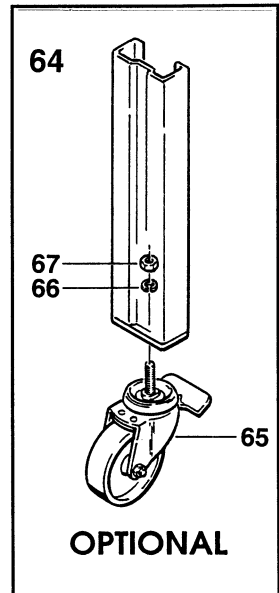
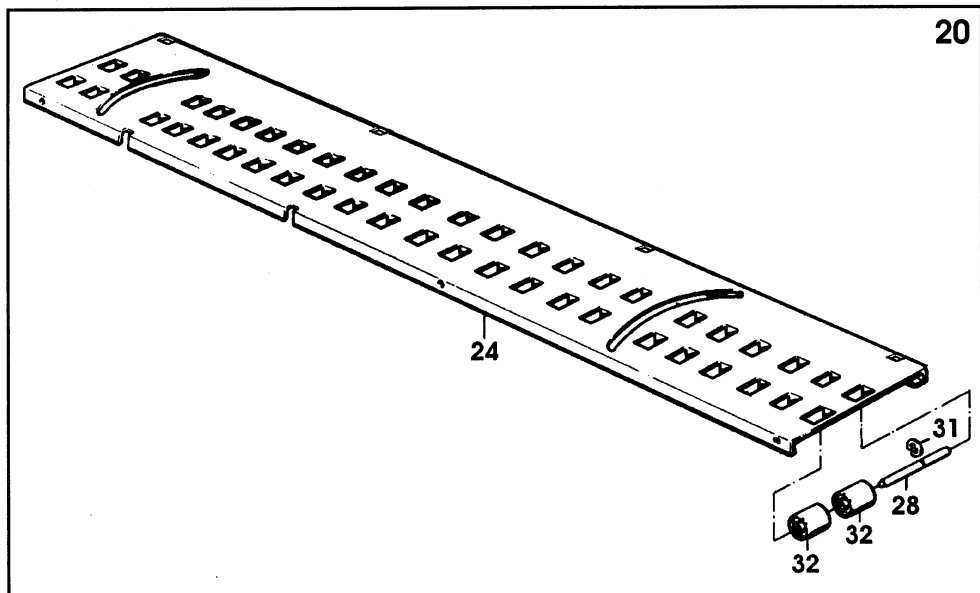
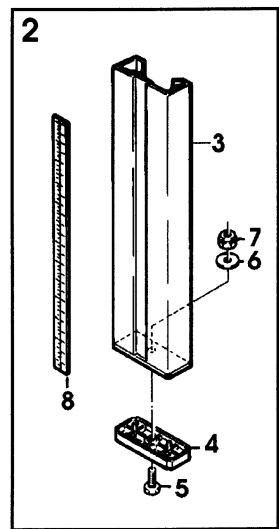
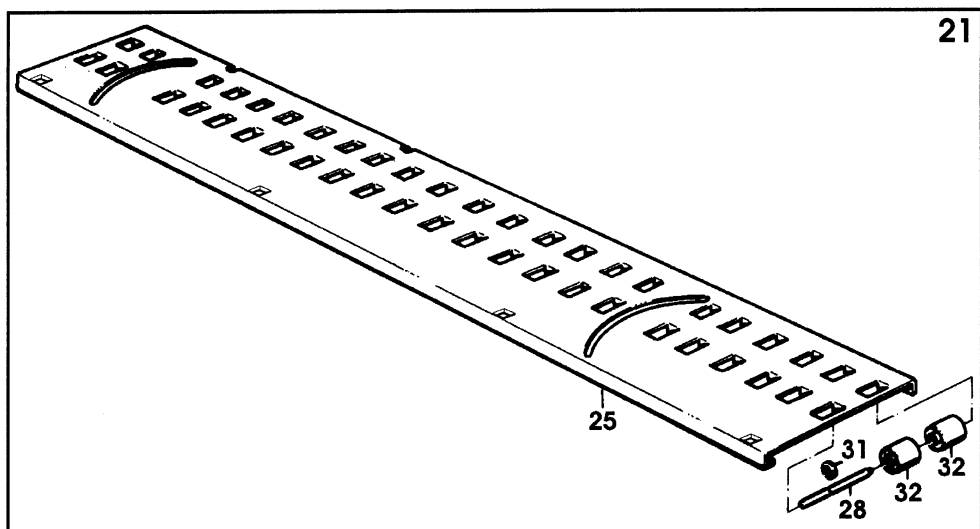
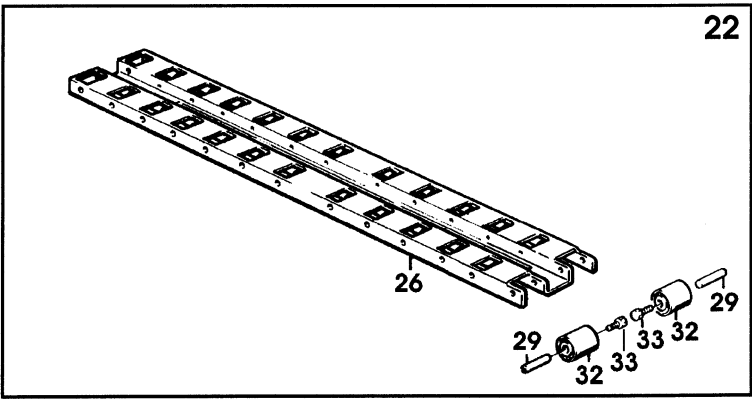
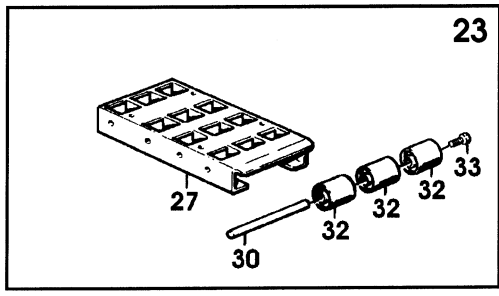


Figure 6227/2 of 3

Figure 6227 (page 2 of 3)

Ref. No.	3M Part No.	Description
6227-25	78-8119-6470-5	Conveyor – L/H, W/English Labels
6227-26	78-8100-1249-8	Conveyor – Center
6227-27	78-8100-1065-8	Conveyor – Rear
6227-28	78-8060-7965-9	Shaft – Hex Hd, /8 x 120
6227-29	78-8054-8857-0	Shaft – 8 x 43 mm
6227-30	78-8052-6694-3	Shaft – /8 x 128
6227-31	78-8060-8035-0	E-Ring – 7DIN6799
6227-32	78-8060-7693-7	Roller – 32 x 38
6227-33	78-8010-7163-6	Screw – Hex Hd, M5 x 10
6227-34	26-1003-5829-5	Screw – Hex Hd, M6 x 12
6227-35	26-1003-7948-1	Screw – Soc Hd Hex Soc, M5 x 10
6227-36	78-8114-4619-0	Valves Assembly
6227-37	78-8060-8059-0	Support – Valve
6227-38	78-8054-8757-2	Pin – Spring Holder
6227-39	26-1005-6859-6	Nut – Self-Locking, M5
6227-40	78-8076-4774-4	Spring
6227-41	78-8055-0746-0	Front Actuator Link – 12AF Black
6227-42	26-1002-4955-1	Screw – Self-Tap – 8P x 13
6227-43	78-8055-0747-8	Link – Rear Actuator – 12AF Black
6227-44	78-8054-8872-9	Guide – Cam
6227-45	78-8054-8858-8	Spacer – 8 x 26, 5 mm
6227-46	78-8054-8871-1	Cam
6227-47	78-8010-7165-1	Screw – Flat Hd Soc, M5 x 25
6227-48	78-8054-8859-6	Clamp – Cam

Figure 6227 (page 3 of 3)

Ref. No.	3M Part No.	Description
6227-49	26-1003-7947-3	Screw – Soc Hd Hex Soc, M4 x 35
6227-50	78-8054-8758-0	Spacer – Valve Holder
6227-51	78-8005-5740-3	Washer – Plain, 4 mm
6227-52	26-1003-6914-4	Nut – Plastic Insert, M4
6227-53	78-8023-2334-1	Screw – Soc Hd Hex Soc, M6 x 25
6227-54	78-8060-7876-8	Plug Cover
6227-55	78-8028-8208-0	Screw – 6PX9,5
6227-56	78-8060-7873-5	Plug – Female
6227-57	78-8060-8488-1	Screw – Hex Hd, M5 x 20
6227-58	78-8046-8217-3	Washer – Special
6227-59	78-8005-5741-1	Washer – Flat, M5
6227-60	78-8010-7417-6	Nut – Hex, M5
6227-61	78-8060-7872-7	Cover Plug – Straight
6227-62	78-8060-8184-6	Cap – /35 x 1,5
6227-63	78-8070-1456-4	Stud – Hex
6227-64	78-8098-9076-3	Caster Assembly
6227-65	26-1009-9096-4	Caster – Dual Locking
6227-66	26-1009-9094-9	Washer – Spring, Helical, M12
6227-67	26-1009-9095-6	Nut – M12
6227-70	78-8076-4635-7	Grommet – /32
6227-71	78-8114-4702-4	Spacer

120af Adjustable Case Sealer

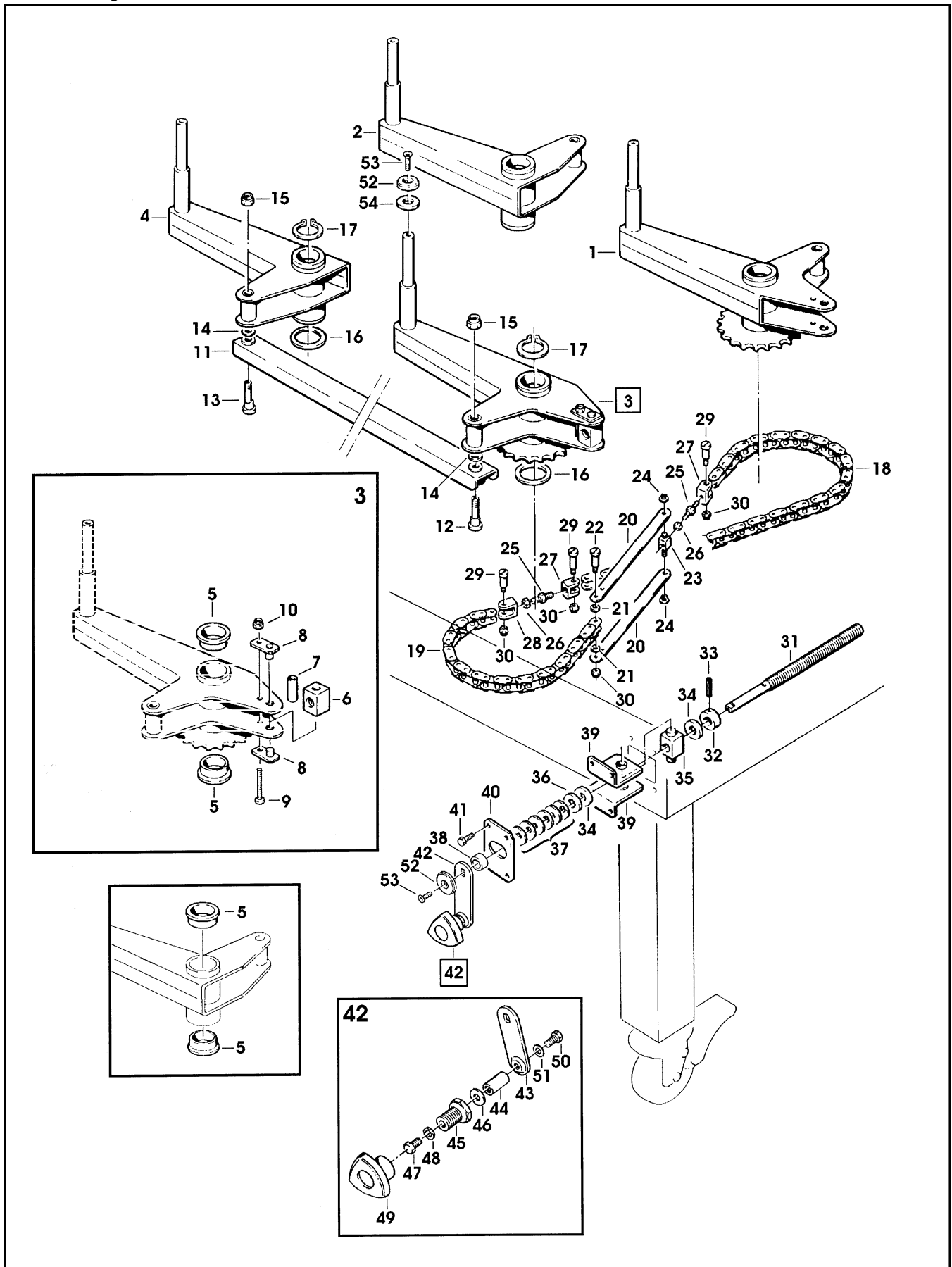


Figure 6228

Figure 6228

Ref. No.	3M Part No.	Description
6228-1	78-8076-5232-2	Arm Assembly – Front, Right
6228-2	78-8076-5062-3	Arm Assembly – Rear, Right
6228-3	78-8076-5233-0	Arm Assembly – Front Left
6228-4	78-8076-5063-1	Arm Assembly – Rear, Left
6228-5	78-8076-4791-8	Bushing
6228-6	78-8076-5236-3	Nut - Arm
6228-7	78-8076-5237-1	Spacer – Arm
6228-8	78-8076-5238-9	Plate – W/Pin
6228-9	78-8076-5239-7	Screw – Hex Hd, M6 x 50
6228-10	26-1003-6916-9	Nut – Locking Plastic Insert, M6
6228-11	78-8060-7976-6	Bar – Coupling
6228-12	78-8076-5234-8	Pin – Join, Front
6228-13	78-8076-5235-5	Pin – Eccentric
6228-14	78-8052-6566-3	Washer – Friction
6228-15	26-1003-6918-5	Nut – Plastic Insert, Hex Flange, M10
6228-16	78-8060-7534-3	Washer
6228-17	78-8060-7521-0	Lock Ring
6228-18	78-8060-7518-6	Chain – 3/8 Inch, 60 Pitch Long
6228-19	78-8054-8777-0	Chain – 3/8 Inch Pitch, 41 Pitch Long
6228-20	78-8054-8787-9	Chain Link
6228-21	78-8054-8783-8	Washer – Special
6228-22	78-8060-7519-4	Screw – M3 x 25
6228-23	78-8054-8784-6	Block – Chain
6228-24	78-8056-3945-3	E-Ring – M4
6228-25	78-8054-8785-3	Rod – Threaded Right/Left
6228-26	78-8010-7418-4	Nut – Hex, M6
6228-27	78-8054-8786-1	Chain Connector
6228-28	78-8054-8788-7	Chain Connector
6228-29	78-8060-7520-2	Screw – M3 x 20
6228-30	78-8059-5517-2	Nut – Self-Locking, M3
6228-31	78-8060-7980-8	Screw – Centering
6228-32	78-8060-7981-6	Bushing – Dowel
6228-33	78-8054-8586-5	Pin
6228-34	78-8060-8036-8	Washer – Nylon
6228-35	78-8060-8436-0	Nut – Plastic
6228-36	78-8060-7983-2	Washer
6228-37	78-8060-7984-0	Washer – Belleville
6228-38	78-8060-7985-7	Spacer
6228-39	78-8060-8437-8	Plate – W/Bushing
6228-40	78-8114-4672-9	Plate
6228-41	78-8060-7886-7	Screw – Special, Hex Hd, M6 x 16
6228-42	78-8091-0577-4	Knob Assembly
6228-43	78-8060-8065-7	Lever – Knob
6228-44	78-8070-1509-0	Shaft – Crank
6228-45	78-8070-1511-6	Bushing
6228-46	78-8070-1510-8	Washer – Nylon, /7 x 15 x 1
6228-47	78-8010-7157-8	Screw – Hex Hd, M4 x 10
6228-48	78-8005-5740-3	Washer – Plain, 4 mm
6228-49	78-8070-1512-4	Knob – VTR-B-M12
6228-50	26-1003-5820-4	Screw – Hex Hd, M5 x 12
6228-51	78-8028-8214-8	Washer
6228-52	78-8054-8577-4	Washer – Special
6228-53	26-1001-9843-6	Screw – Flat Soc Hd, M6 x 16
6228-54	78-8060-7541-8	Washer

120af Adjustable Case Sealer

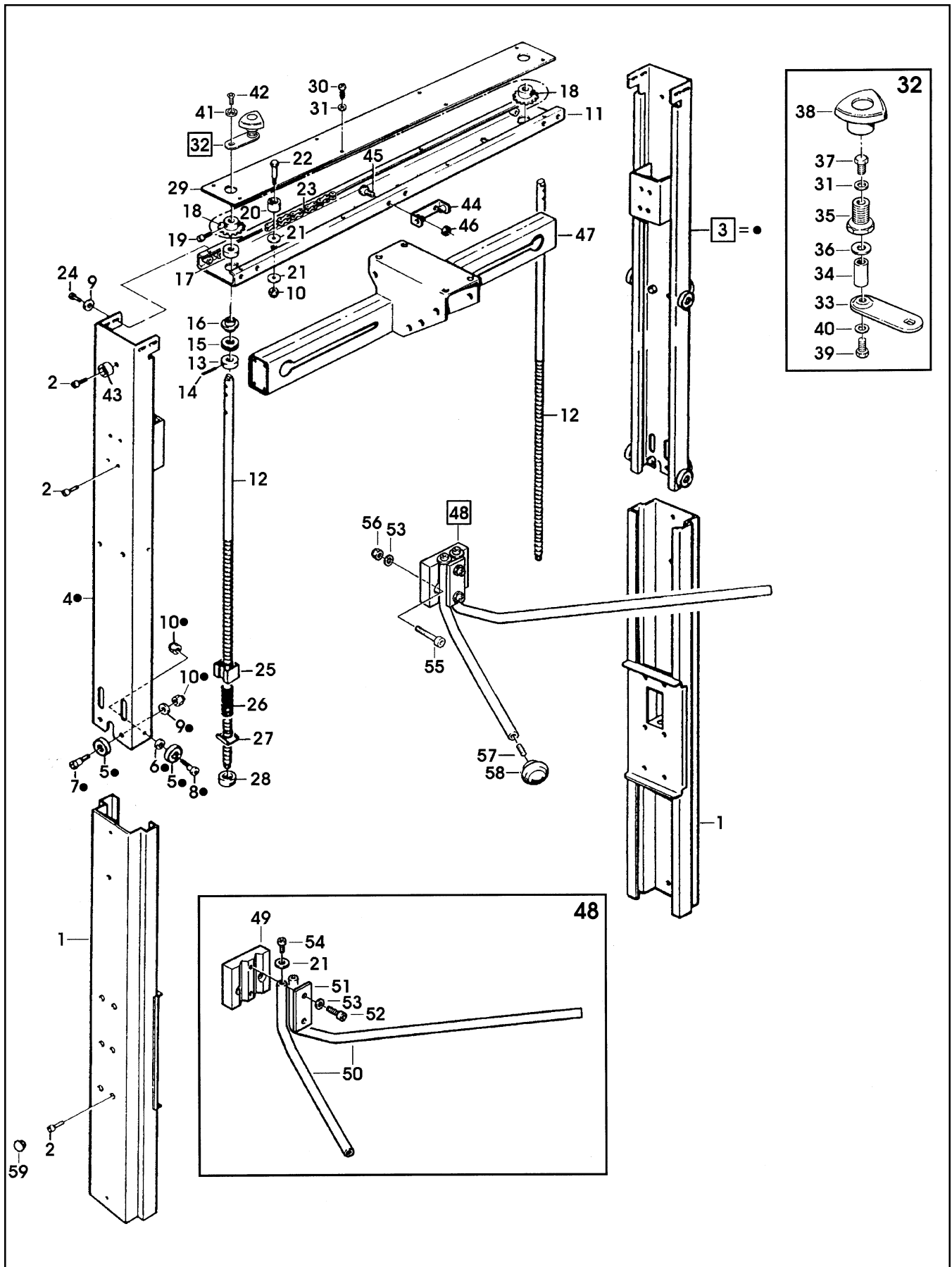


Figure 6229

Figure 6229

Ref. No.	3M Part No.	Description
6229-1	78-8119-6463-0	Outer Column Assembly, W/English Labels
6229-2	26-1003-7964-8	Screw – Soc Hd Hex Soc Dr, M8 x 20
6229-3	78-8114-4623-2	Inner Column Assembly
6229-4	78-8100-1072-4	Column – Inner
6229-5	78-8054-8617-8	Bearing – Special
6229-6	78-8054-8576-6	Spacer
6229-7	78-8054-8589-9	Screw – Special
6229-8	78-8017-9106-8	Screw – Bearing Shoulder
6229-9	26-1000-0010-3	Washer – Flat, M6
6229-10	26-1003-6916-9	Nut – Locking, Plastic Insert, M6
6229-11	78-8114-4624-0	Cross Bar
6229-12	78-8054-8573-3	Lead Screw
6229-13	78-8054-8585-7	Collar
6229-14	78-8054-8586-5	Pin
6229-15	78-8054-8584-0	Spacer
6229-16	78-8054-8583-2	Bushing
6229-17	78-8054-8581-6	Spacer
6229-18	78-8054-8580-8	Sprocket
6229-19	26-1003-7946-5	Screw – Soc Hd, M4 x 25
6229-20	78-8054-8575-8	Idler Roller
6229-21	78-8042-2919-9	Washer – Triple, M6
6229-22	78-8060-7878-4	Idler Screw
6229-23	78-8054-8965-1	Chain – 3/8 Inch Pitch, L=184
6229-24	78-8032-0375-7	Screw – Hex Hd, M6 x 16
6229-25	78-8054-8571-7	Plastic Nut
6229-26	78-8054-8997-4	Spring
6229-27	78-8054-8970-1	Bed Plate For Spring
6229-28	78-8054-8968-5	Special Nut
6229-29	78-8119-6466-3	Cover, W/English Labels
6229-30	26-1002-5753-9	Screw – Self-Tapping
6229-31	78-8005-5740-3	Washer – Plain, 4 mm
6229-32	78-8091-0577-4	Knob Assembly
6229-33	78-8060-8065-7	Lever – Knob
6229-34	78-8070-1509-0	Shaft – Crank
6229-35	78-8070-1511-6	Bushing
6229-36	78-8070-1510-8	Washer – Nylon, /7 x 15 x 1
6229-37	78-8010-7157-8	Screw – Hex Hd, M4 x 10
6229-38	78-8070-1512-4	Knob – VTR-B-M12
6229-39	26-1003-5820-4	Screw – Hex Hd, M5 x 12
6229-40	78-8028-8214-8	Washer
6229-41	78-8054-8577-4	Washer – Special
6229-42	26-1001-9843-6	Screw – Flat Soc Hd, M6 x 16
6229-43	78-8054-8587-3	Stop
6229-44	78-8114-4625-7	Bracket
6229-45	78-8010-7169-3	Screw – Hex Hd, M6 x 12
6229-46	78-8010-7418-4	Nut – Hex, M6
6229-47	78-8114-4626-5	Support – Head
6229-48	78-8114-4627-3	Side Flap Folder Assembly
6229-49	78-8100-1077-3	Block
6229-50	78-8100-1079-9	Side Flap Folder
6229-51	78-8100-1080-7	Plate – Flap Folder
6229-52	78-8060-7895-8	Screw – M8 x 35
6229-53	78-8017-9318-9	Washer – Plain, 8 mm
6229-54	78-8010-7209-7	Screw – Soc Hd, M6 x 12
6229-55	78-8076-4686-0	Screw – Soc Hex Hd, M8 x 70
6229-56	78-8017-9313-0	Nut – Self-Locking, M8
6229-57	78-8060-7863-6	Grain – M6 x 20
6229-58	78-8076-4546-6	Knob
6229-59	78-8054-8821-6	End – Cap

120af Adjustable Case Sealer

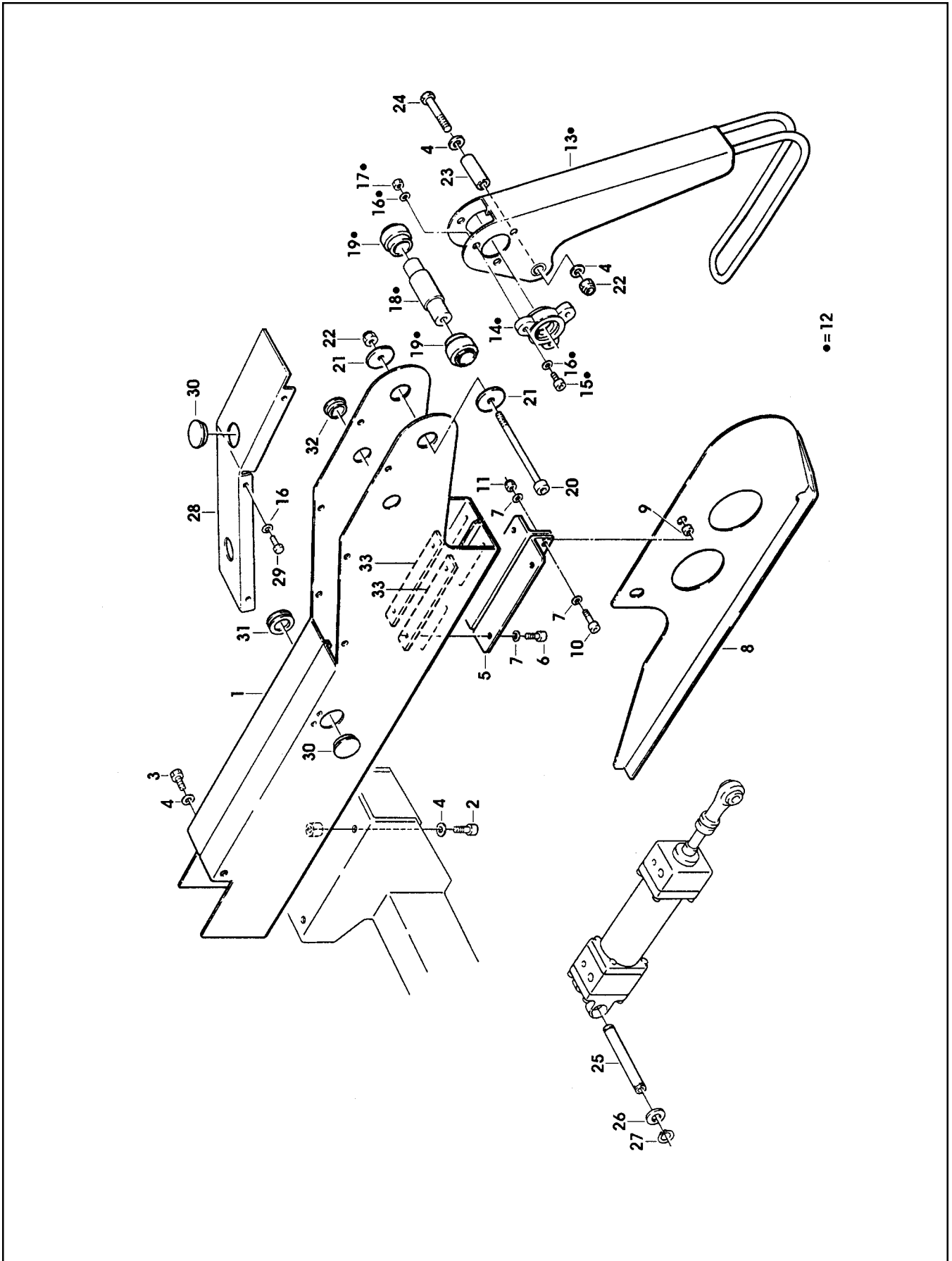


Figure 6230

Figure 6230

Ref. No.	3M Part No.	Description
6230-1	78-8114-4628-1	Support – Flap Folder
6230-2	26-1003-7963-0	Screw – Soc Hd, M8 x 16
6230-3	26-1003-5842-8	Screw – Hex Hd, M8 x 20
6230-4	78-8017-9318-9	Washer – Plain, 8 mm
6230-5	78-8100-1084-9	Bracket
6230-6	78-8010-7209-7	Screw – Soc Hd, M6 x 12
6230-7	26-1000-0010-3	Washer – Flat, M6
6230-8	78-8114-4629-9	Flap Folder – Front
6230-9	78-8054-8942-0	Washer
6230-10	78-8010-7210-5	Screw – Soc Hd Hex Soc, M6 x 20
6230-11	26-1003-6916-9	Nut – Locking, Plastic Insert, M6
6230-12	78-8114-4630-7	Rear Flap Folder Assembly
6230-13	78-8114-4631-5	Flap Folder – Rear
6230-14	78-8091-0731-7	Flange
6230-15	78-8100-0952-8	Screw – Soc Hd Hex Hd, M5 x 14
6230-16	78-8005-5741-1	Washer – Flat, M5
6230-17	78-8010-7417-6	Nut – Hex, M5
6230-18	78-8114-4632-3	Stud
6230-19	78-8114-4693-5	Spacer – Bearing
6230-20	78-8114-4633-1	Screw – Soc Hd Hex Hd, M8 x 100
6230-21	78-8114-4694-3	Washer – Special
6230-22	78-8017-9313-0	Nut – Self-Locking
6230-23	78-8114-4695-0	Spacer – Cylinder
6230-24	26-1002-5949-3	Screw – Hex Hd, M8 x 60
6230-25	78-8054-8937-0	Shaft – 12 x 100 mm
6230-26	78-8017-9059-9	Washer – Flat For M12 Screw
6230-27	78-8056-3965-1	Ring – 8 DIN 6799
6230-28	78-8114-4634-9	Cover
6230-29	78-8010-7163-6	Screw – Hex Hd, M5 x 10
6230-30	78-8060-8184-6	Cap – /35 x 1,5
6230-31	78-8094-6489-0	Snap Bushing
6230-32	78-8114-4703-2	Cap
6230-33	78-8054-8938-8	Bracket

120af Adjustable Case Sealer

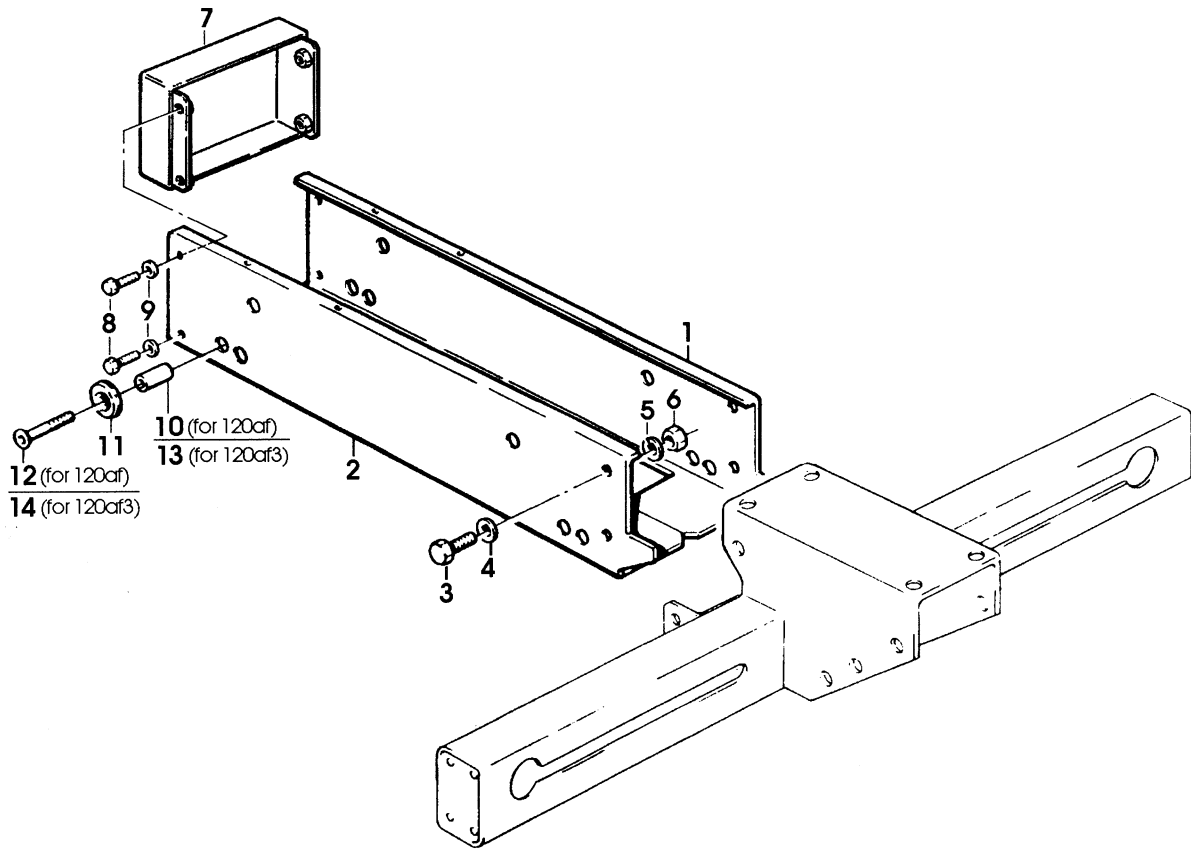


Figure 6231

Figure 6231

Ref. No.	3M Part No.	Description
6231-1	78-8119-6464-8	Frame – Upper Head, R/H, W/English Labels
6231-2	78-8119-6465-5	Frame – Upper Head, L/H, W/English Labels
6231-3	26-1003-5842-8	Screw – Hex Hd, M8 x 20
6231-4	78-8017-9318-9	Washer – Plain, 8 mm
6231-5	78-8005-5736-1	Lockwasher – For M8 Screw
6231-6	26-1000-1347-8	Nut – Hex, M8
6231-7	78-8114-4637-2	Cover – Upper Frame
6231-8	78-8010-7169-3	Screw – Hex Hd, M6 x 12
6231-9	26-1000-0010-3	Washer – Flat, M6
6231-10	78-8114-4638-0	Stud – Mounting
6231-11	78-8076-5477-3	Washer – Special, /6.5 x 20 x 4
6231-12	78-8114-4639-8	Screw – Allen, Flat Hd, M6 x 35
6231-13	78-8052-6700-8	Spacer
6231-14	78-8060-7918-8	Screw – Flat, Soc Hd, M6 x 25

120af Adjustable Case Sealer

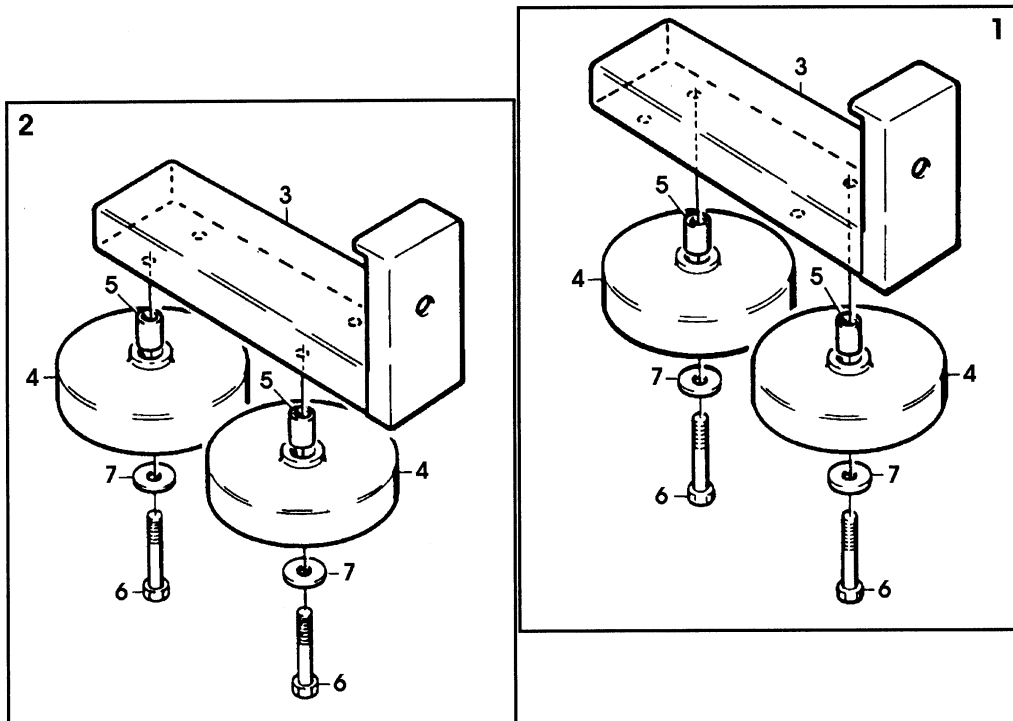
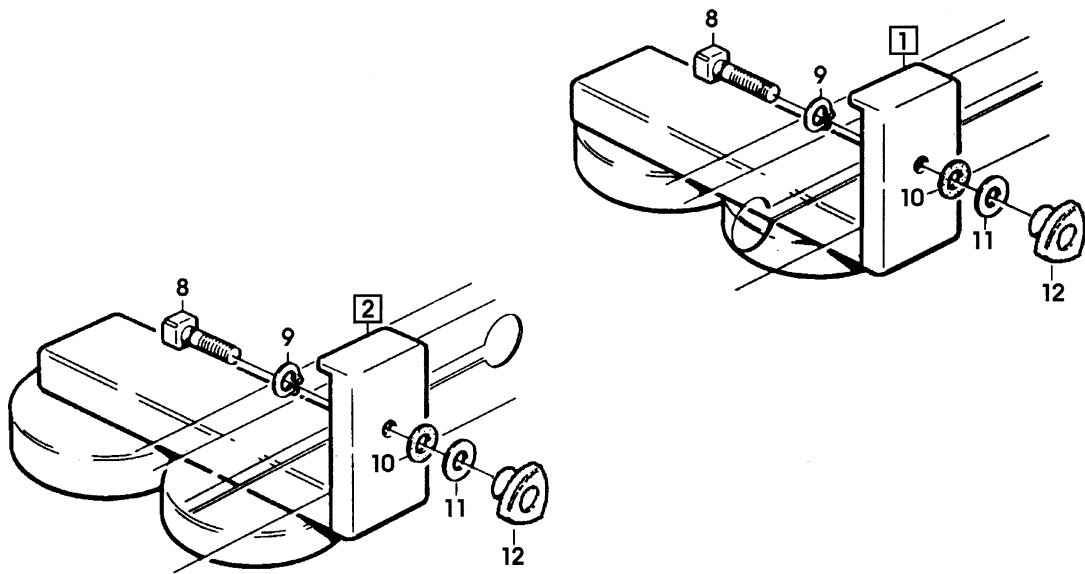
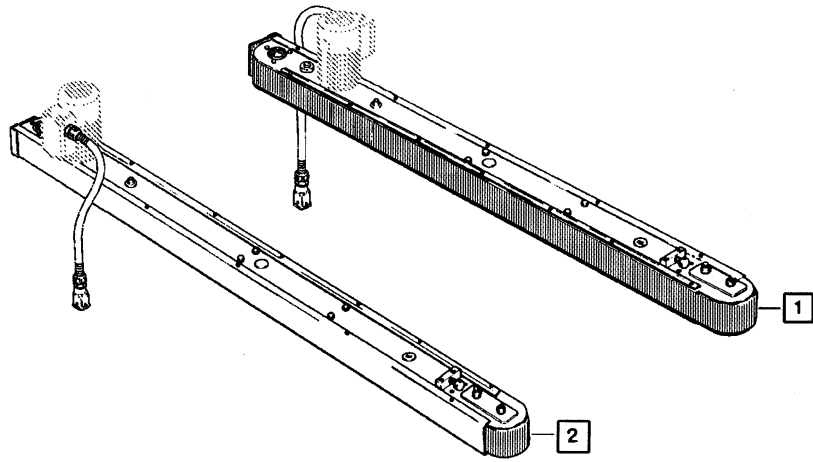


Figure 6232

Figure 6232

Ref. No.	3M Part No.	Description
6232-1	78-8060-8056-6	Side Roller Assembly – Right
6232-2	78-8060-8057-4	Side Roller Assembly – Left
6232-3	78-8119-6473-9	Mount – Side Roller, W/English Labels
6232-4	78-8054-8648-3	Roller – Pressure
6232-5	78-8055-0622-3	Bushing
6232-6	26-1003-5845-1	Screw – Hex Hd, M8 x 40
6232-7	78-8052-6703-2	Washer – Special
6232-8	78-8057-5740-4	Screw – Special
6232-9	78-8056-3965-1	Ring – 8 DIN 6799
6232-10	78-8017-9074-8	Washer – Nylon, 15 mm
6232-11	78-8052-6566-3	Washer – Friction
6232-12	78-8070-1549-6	Knob – VTR-B-M10

120af Adjustable Case Sealer



1-2

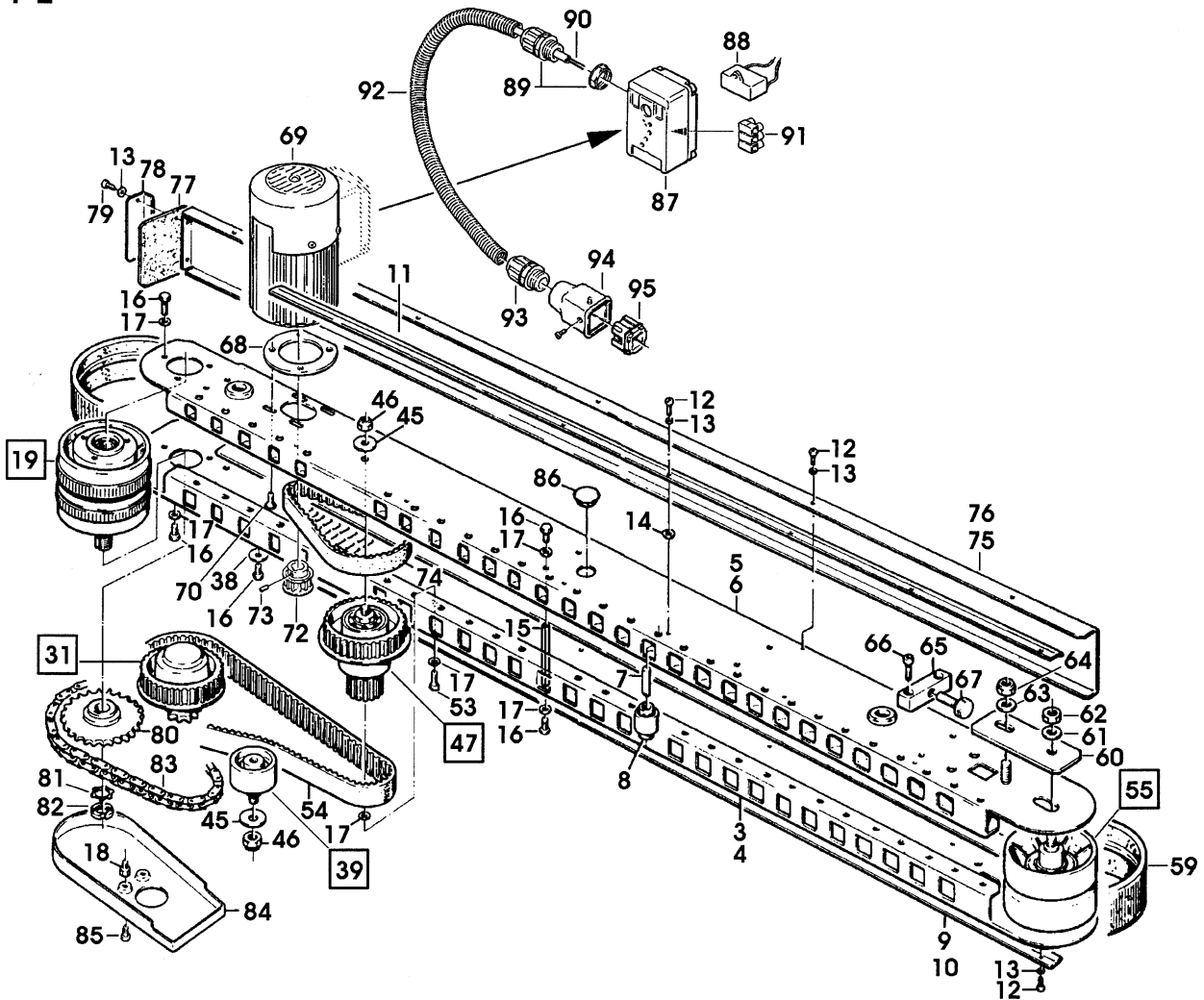


Figure 6233/1 of 2

Figure 6233 (Page 1 of 2)

Ref. No.	3M Part No.	Description
6233-1	78-8119-6500-9	Drive Assembly – R/H, W/O Motor, W/English Labels
6233-2	78-8119-6501-7	Drive Assembly – L/H, W/O Motor, W/English Labels
6233-3	78-8076-5100-1	Guide – Lower, Right
6233-4	78-8076-5101-9	Guide – Lower, Left
6233-5	78-8119-6467-1	Guide – Upper, R/H, W/English Labels
6233-6	78-8119-6468-9	Guide – Upper, L/H, W/English Labels
6233-7	78-8060-7995-6	Pin – Roller
6233-8	78-8060-7996-4	Roller
6233-9	78-8076-5107-6	Plate – Roller, Right
6233-10	78-8076-5108-4	Plate – Roller, Left
6233-11	78-8076-5108-4	Plate – Roller
6233-12	26-1002-5753-9	Screw – Self-Tapping
6233-13	78-8005-5740-3	Washer – Plain, 4 mm
6233-14	78-8076-4855-1	Washer – Special, /4.5-9 x 1.5
6233-15	78-8054-8910-7	Spacer – Hexagonal
6233-16	78-8010-7169-3	Screw – Hex Hd, M6 x 12
6233-17	26-1000-0010-3	Washer – Flat, M6
6233-18	78-8054-8891-9	Screw – Special
6233-19	78-8060-8000-4	Drive Pulley Assembly
6233-20	78-8054-8878-6	Shaft – Pulley Keyed
6233-21	78-8057-5739-6	Key – M5 x 5 x 30 mm
6233-22	78-8076-5105-0	Pulley Assembly – Drive
6233-23	78-8052-6713-1	Ring – Polyurethane
6233-24	78-8054-8879-4	Washer – /20,5 mm
6233-25	78-8017-9096-1	Nut – Special, M18 x 1
6233-26	78-8060-7648-1	Bearing – Flanged
6233-27	78-8054-8877-8	Washer – 5,5/20 x 4
6233-28	26-0001-5862-1	Screw – Flat Hd Soc, M5 x 12
6233-29	78-8060-8037-6	Cap – Flange
6233-30	78-8046-8135-7	Key – 5 x 5 x 12 mm
6233-31	78-8060-8003-8	Drive Pulley Assembly – Keyed
6233-32	78-8055-0825-2	Pulley – Keyed
6233-33	26-1000-6036-2	Bearing – 6003-2RS
6233-34	78-8060-7547-5	Spacer
6233-35	78-8054-8889-3	Support – Pulley Keyed
6233-36	78-8028-8244-5	Key – 4 x 4 x 10 mm
6233-37	78-8060-8005-3	Sprocket – 3/8 Inch, 11 Teeth
6233-38	78-8042-2919-9	Washer – Triple, M6
6233-39	78-8060-8006-1	Jockey Pulley Assembly
6233-40	78-8060-8007-9	Pin – Jockey Pulley
6233-41	78-8060-8009-5	Jockey Pulley
6233-42	78-8060-8008-7	Bearing – 6004-2RS
6233-43	78-8060-8010-3	Snap Ring – 42 mm Shaft
6233-44	78-8017-9061-5	Snap Ring – For 20 mm Shaft
6233-45	26-1004-5507-5	Washer – M8
6233-46	78-8017-9313-0	Nut – Self-Locking, M8
6233-47	78-8060-8011-1	Wrap Pulley Assembly
6233-48	78-8054-8887-7	Shaft – Pulley Wrap

120af Adjustable Case Sealer

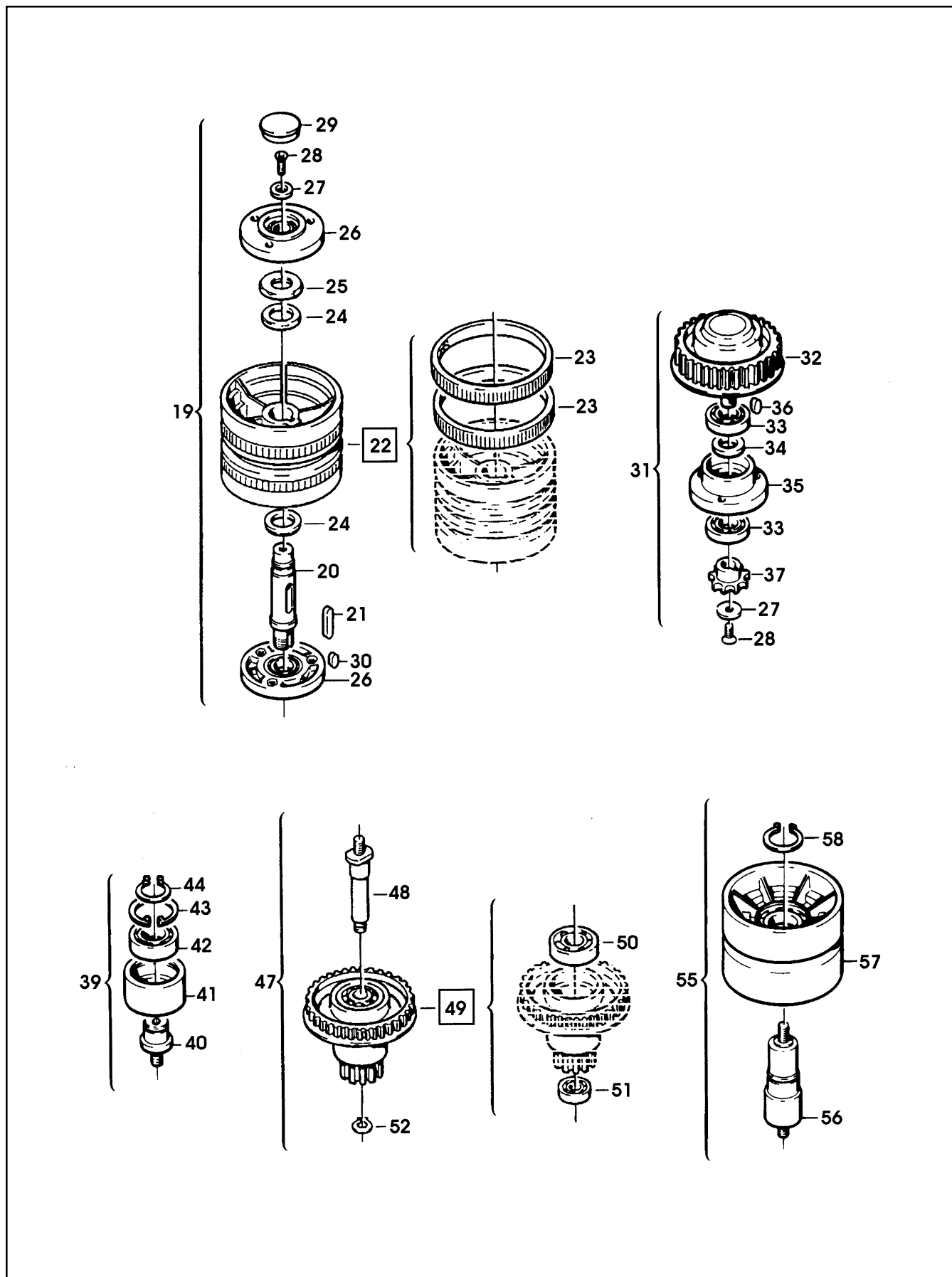


Figure 6233/2 of 2

Figure 6233 (page 2 of 2)

Ref. No.	3M Part No.	Description
6233-49	78-8076-5106-8	Pulley Assembly – Idler
6233-50	78-8023-2544-5	Bearing – 6203-2RS
6233-51	78-8023-2410-9	Bearing – 6000-2RS
6233-52	78-8016-5855-6	E-Ring – 10 mm
6233-53	78-8032-0375-7	Screw – Hex Hd. M6 x 16
6233-54	78-8060-8013-7	Belt – Timing 210 L 075
6233-55	78-8060-8014-5	Idler Roller Assembly
6233-56	78-8054-8913-1	Shaft – Roller
6233-57	78-8052-6710-7	Roller – Idler
6233-58	12-7997-0272-0	E-Ring – M-25
6233-59	78-8100-0859-5	Belt – Box Drive
6233-60	78-8076-4864-3	Tensioning – Belt
6233-61	78-8017-9318-9	Washer – Plain, 8 mm
6233-62	26-1000-1347-8	Nut – Hex, M8
6233-63	78-8052-6566-3	Washer – Friction
6233-64	26-1003-6918-5	Nut – Plastic Insert, Hex Flange, M10
6233-65	78-8054-8903-2	Block – Belt
6233-66	78-8010-7210-5	Screw – Soc Hd Hex Soc, M6 x 20
6233-67	78-8054-8904-0	Screw – Belt Adjustment
6233-68	78-8114-4644-8	Plate
6233-69	26-1014-3281-8	Motor – 1/9 HP, TEFC, 1700 RP, Bodine 34R6BFCI
6233-70	26-1014-4049-8	Screw – Button Head, 1/4 - 20 x 1/2
6233-72	78-8114-4646-3	Pulley – Motor, PD14-XL050-F
6233-73	26-1003-8816-9	Screw – Set, M5 x 6
6233-74	78-8114-4909-5	Belt – Timing, 188XL050
6233-75	78-8076-5110-0	Cover – Right
6233-76	78-8076-5111-8	Cover – Left
6233-77	78-8054-8897-6	Guard – Belt
6233-78	78-8076-4870-0	Plate
6233-79	26-1002-4955-1	Screw – Self-Tap, 8P x 13
6233-80	78-8060-8019-4	Sprocket – 3/8 Inch, 28 Teeth
6233-81	78-8057-5834-5	Tab Washer
6233-82	78-8057-5835-2	Centering Washer
6233-83	78-8060-8020-2	Chain – 3/8 Inch Pitch, L=50
6233-84	78-8076-5112-6	Cover - Chain
6233-85	26-1003-7948-1	Screw – Soc Hd Hex Soc, M5 x 10
6233-86	78-8060-7885-9	End Cap – /25 x 1,2
6233-87	26-1014-3282-6	Junction Box – Bodine 984
6233-88	26-1014-3283-4	Capacitor – 12.5 UF, 250V
6233-89	78-8076-4954-2	Union – PG 13.5
6233-90	78-8060-8053-3	Wire – 3-Pole, 5 Meters Length
6233-91	78-8076-4968-2	Terminal
6233-92	78-8060-8038-4	Sleeving – /12 0,45 M
6233-93	78-8060-7626-7	Connector – PG 11/12
6233-94	78-8060-7877-6	Plug Housing – Vertical
6233-95	78-8060-7875-0	Plug – Male

120af Adjustable Case Sealer

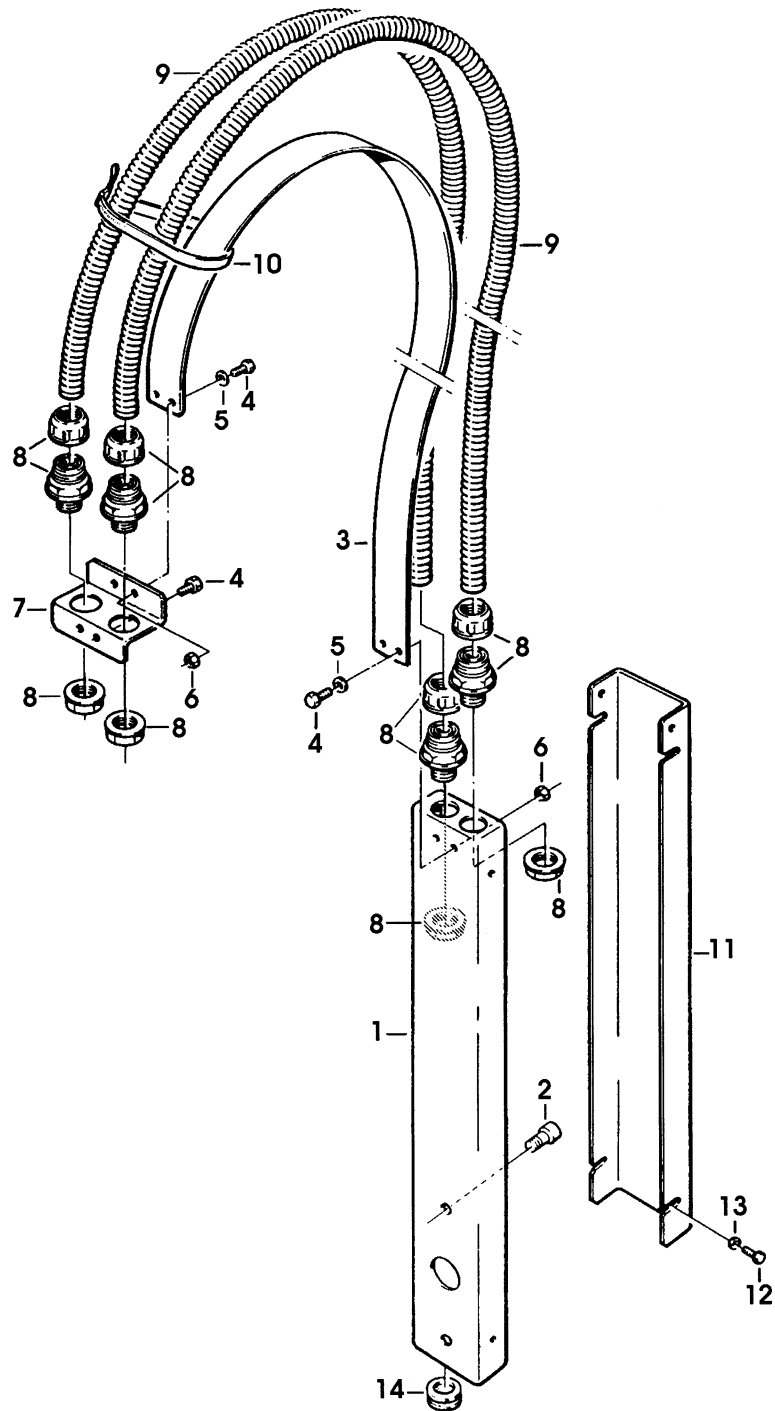


Figure 6234

Figure 6234

Ref. No.	3M Part No.	Description
6234-1	78-8091-0600-4	Housing – Wire
6234-2	26-1003-7963-0	Screw – Soc Hd, M8 x 16
6234-3	78-8076-4872-6	Strap – Wire
6234-4	78-8010-7163-6	Screw – Hex Hd, M5 x 10
6234-5	78-8005-5741-1	Washer – Flat, M5
6234-6	78-8010-7417-6	Nut – Hex, M5
6234-7	78-8076-4873-4	Plate – Strap
6234-8	78-8076-4638-1	Union – PG13.5, Sleeve /14
6234-9	78-8091-0601-2	Conduit – /14, 1120 MM
6234-10	78-8060-8029-3	Clamp – 140X3,5
6234-11	78-8076-5118-3	Cover – Channel
6234-12	26-1003-5810-5	Screw – Hex Hd, M4 x 8
6234-13	78-8017-9018-5	Washer – Plain, M4 SPEC
6234-14	78-8060-7785-1	Fairlead – /22

120af Adjustable Case Sealer

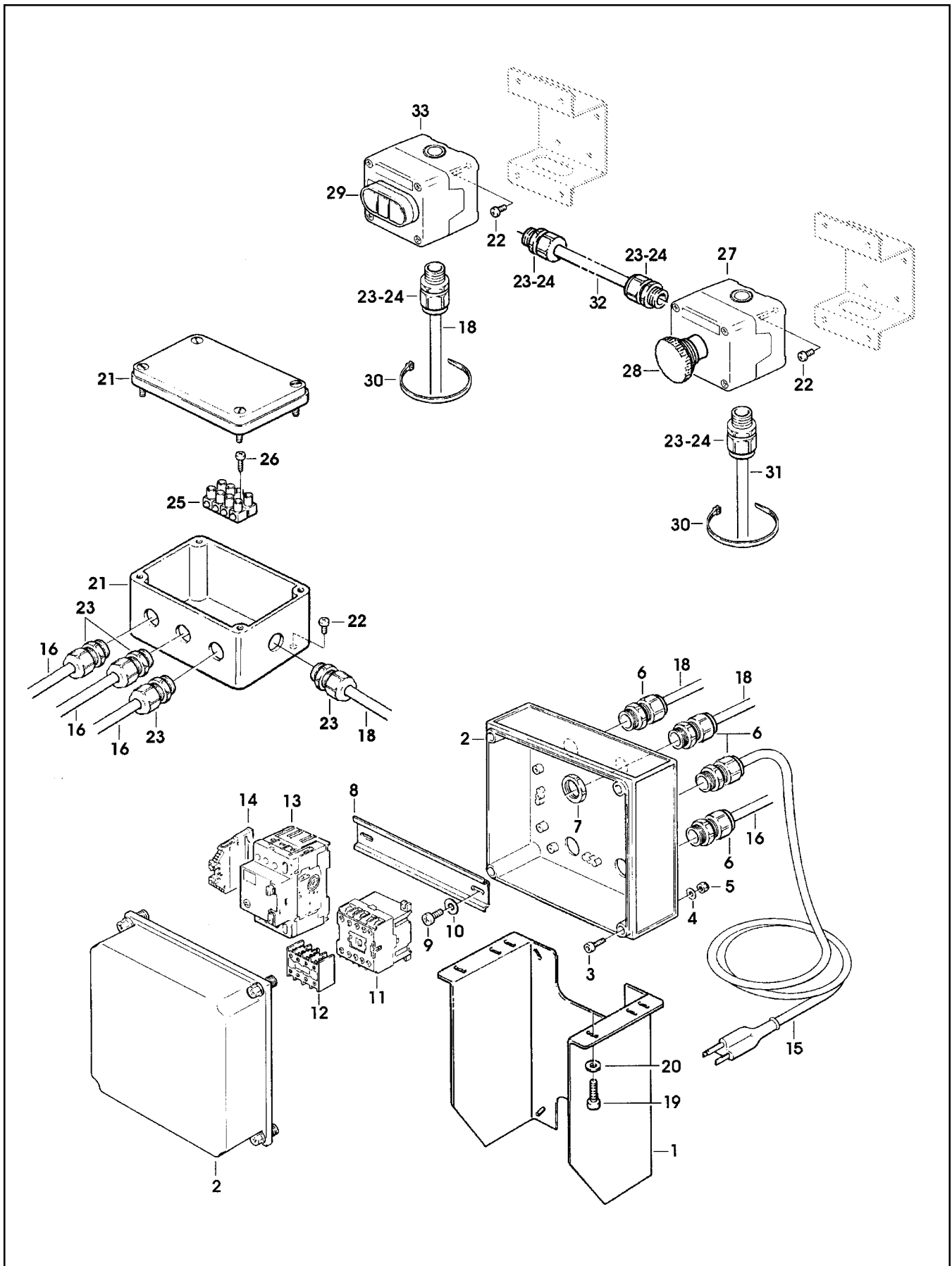


Figure 6235

Figure 6235

Ref. No.	3M Part No.	Description
6235-1	78-8094-6379-3	Support – Box
6235-2	78-8113-6759-4	Enclosure – W/English Labels
6235-3	78-8094-6381-9	Screw – Soc Hd, Hex Hd, M4 x 15
6235-4	78-8005-5740-3	Washer – Plain, 4 mm
6235-5	26-1003-6914-4	Nut – Plastic Insert, M4
6235-6	78-8076-4715-7	Cord Grip
6235-7	78-8076-5211-6	Set Nut – GMP 13.5
6235-8	78-8094-6382-7	Guide – Mounting
6235-9	78-8028-8208-0	Screw – 6P x 9,5
6235-10	78-8017-9018-5	Washer – Plain, M4 SPEC
6235-11	78-8094-6383-5	Contacto – CA4-5-10, 110V, 60HZ
6235-12	78-8114-4647-1	Auxiliary Contacts
6235-13	78-8076-5223-1	Switch – Thermal, KTA 3-25
6235-14	78-8094-6384-3	Clamp – VGPE 4/6
6235-15	78-8028-7909-4	Power Cord U.S.A.
6235-16	78-8060-8053-3	Wire – 3 Pole, 5 Meters Length
6235-18	78-8119-6511-6	Cable –SJTO 16/4
6235-19	78-8010-7210-5	Screw – Soc Hd Hex Soc, M6 x 20
6235-20	26-1000-0010-3	Washer – Flat, M6
6235-21	78-8076-4881-7	Pull Box
6235-22	78-8017-9257-9	Screw – Phillip Hd, M4 x 10
6235-23	78-8076-4532-6	Cord Grip – ST11
6235-24	78-8076-4645-6	Lock Nut – GMP11
6235-25	78-8076-4968-2	Terminal
6235-26	78-8091-0434-8	Screw – Self-Tapping, 4.2 x 19
6235-27	78-8076-5194-4	Box – E-Stop
6235-28	26-1014-5845-8	E-Stop – /40, W/Latch + Contact
6235-29	78-8094-6386-8	Switch – On/Off, DM3N-C-01/10
6235-30	78-8060-8029-3	Clamp – 140 x 3,5
6235-31	78-8119-6507-4	Cable – 2-Pole
6235-32	78-8119-6512-4	Cable – 2-Pole
6235-33	78-8114-4896-4	Box – On/Off, Grey, Allen Bradley

120af Adjustable Case Sealer

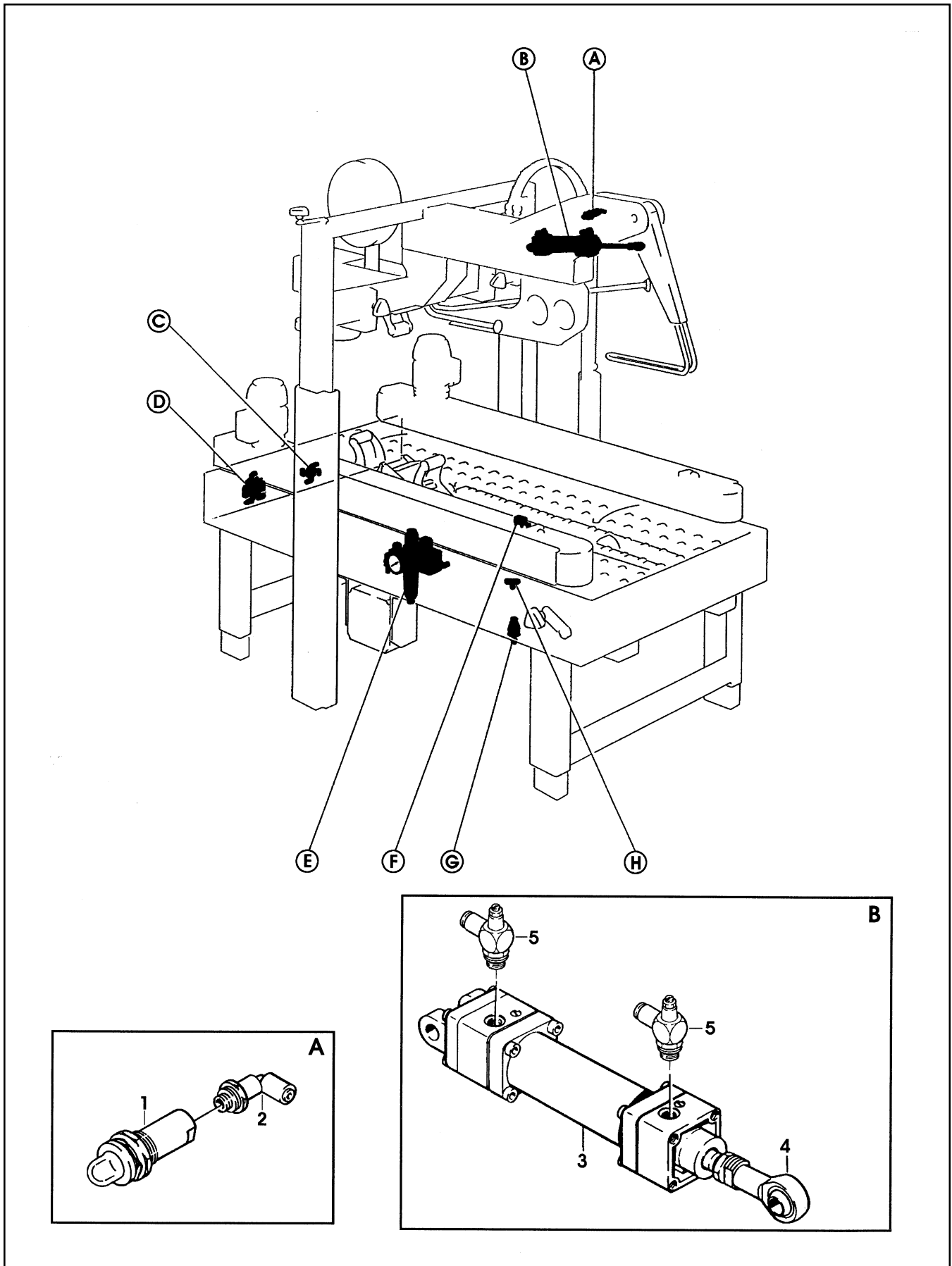
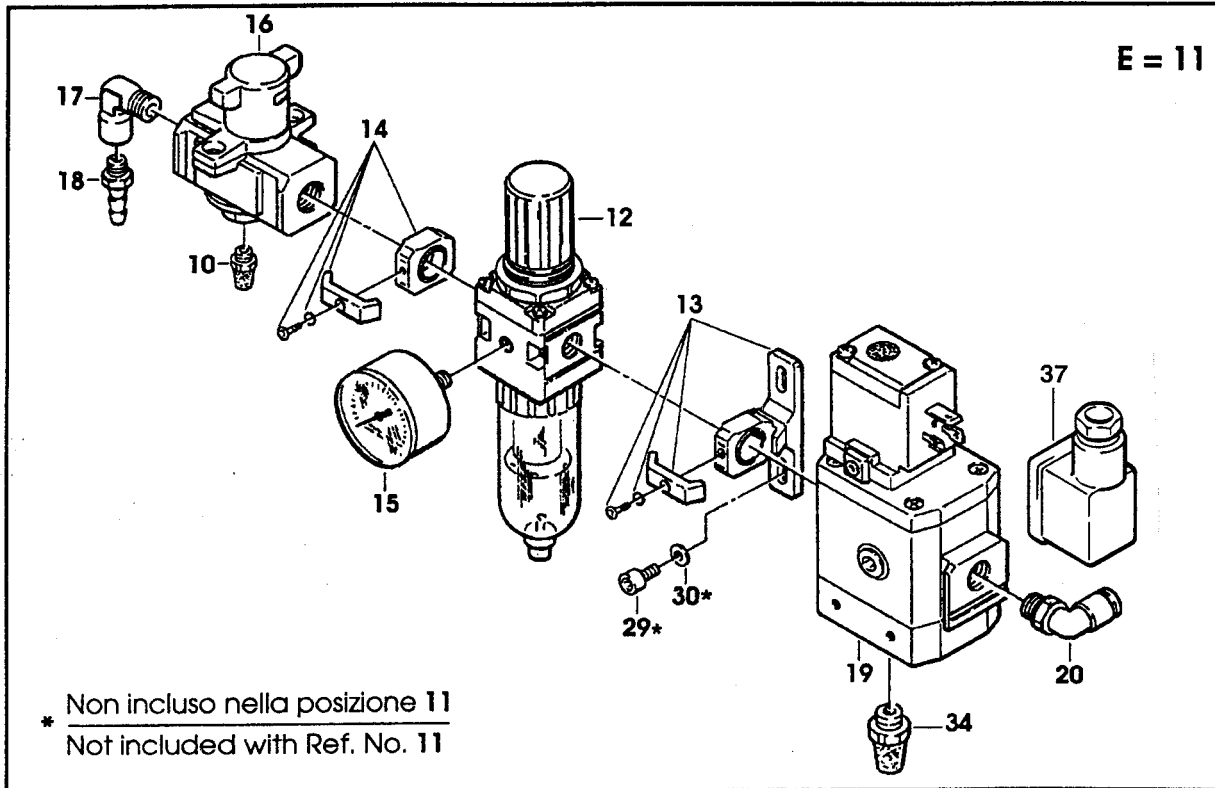
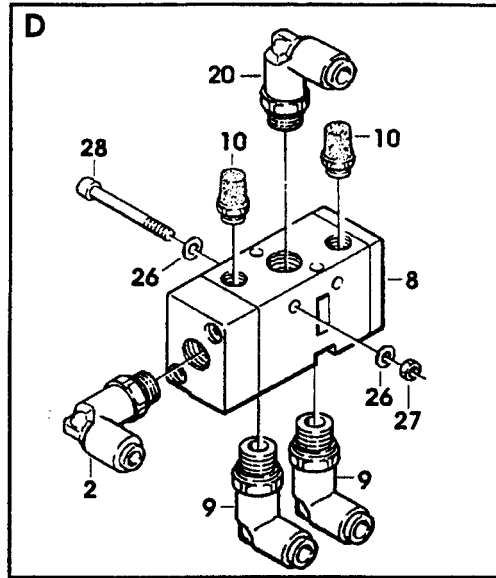
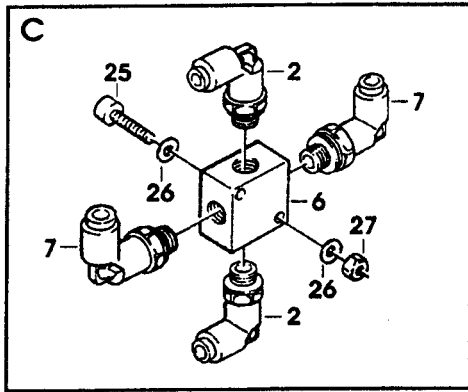


Figure 6236/1 of 2

Figure 6236 (page 1 of 2)

Ref. No.	3M Part No.	Description
6236-1	78-8076-4665-4	Indicator – Visual
6236-2	26-1005-5909-0	Elbow
6236-3	78-8057-5738-8	Cylinder – SIRI, 40 mm x 100 mm
6236-4	78-8057-5747-9	Mount – Cylinder Mount End
6236-5	78-8091-0510-5	Regulator – Speed
6236-6	78-8114-4648-9	Junction Block – 1/8 Inch 3033
6236-7	78-8091-0313-4	Elbow – 90 Degree
6236-8	78-8114-4649-7	Valve – Shuttle, EVFA 3130
6236-9	78-8055-0756-9	Union – Rotating MR41-06-14
6236-10	26-1005-6890-1	Muffler
6236-11	78-8114-4650-5	Filter/Regulator Assembly
6236-12	26-1014-4558-8	Filter/Regulator – W/Metal Bowl, SMC EAW2000-F02D-2
6236-13	78-8100-0958-5	Block
6236-14	78-8114-4651-3	Block – Assembly, Y20
6236-15	78-8054-8838-0	Gauge – Air
6236-16	78-8100-0957-7	Valve – EVHS 2500-F02-X116
6236-17	78-8060-7900-6	Union – RA 022 1/4 Inch - 1/4 Inch

120af Adjustable Case Sealer



* Non incluso nella posizione 11
 * Not included with Ref. No. 11

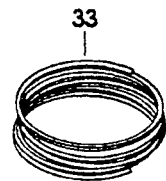
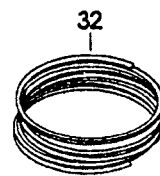
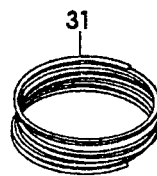
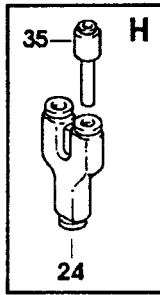
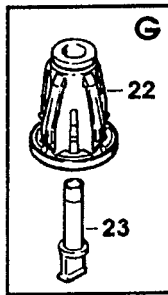
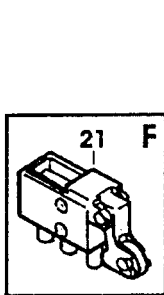


Figure 6236/2 of 2

Figure 6236 (page 2 of 2)

Ref. No.	3M Part No.	Description
6236-18	26-1005-6897-6	Hose Connector – RA030 9-1/4 Inch
6236-19	78-8114-4652-1	Starter – EAV2000
6236-20	78-8091-0315-9	Elbow
6236-21	78-8094-6084-9	Limit Switch – PXC-M521
6236-22	78-8114-4653-9	Joint – 31560600
6236-23	78-8060-7861-0	End Cap
6236-24	78-8114-4704-0	Union – 3140A0800
6236-25	26-1003-7946-5	Screw – Soc Hd, M4 x 25
6236-26	78-8005-5740-3	Washer – Plain, 4 mm
6236-27	78-8010-7416-8	Nut – Hex, M4
6236-28	26-1003-7947-3	Screw – Soc Hd Hex Soc, M4 x 35
6236-29	26-1003-7951-5	Screw – Soc Hd Hex Soc, M5 x 20
6236-30	78-8028-8214-8	Washer
6236-31	78-8119-8666-6	Tube – Air, 4 mm O.D. x 2.5 mm I.D.
6236-32	78-8119-8667-4	Tube – Air, 6 mm O.D. x 4 mm I.D.
6236-33	78-8119-8668-2	Tube – Air, 8 mm O.D. x 5 mm I.D.
6236-34	78-8076-4886-6	Muffler – 1/4 Inch
6236-35	78-8114-4705-7	Union – KQR 06-08
6236-37	78-8114-4809-7	Connector

120af Adjustable Case Sealer

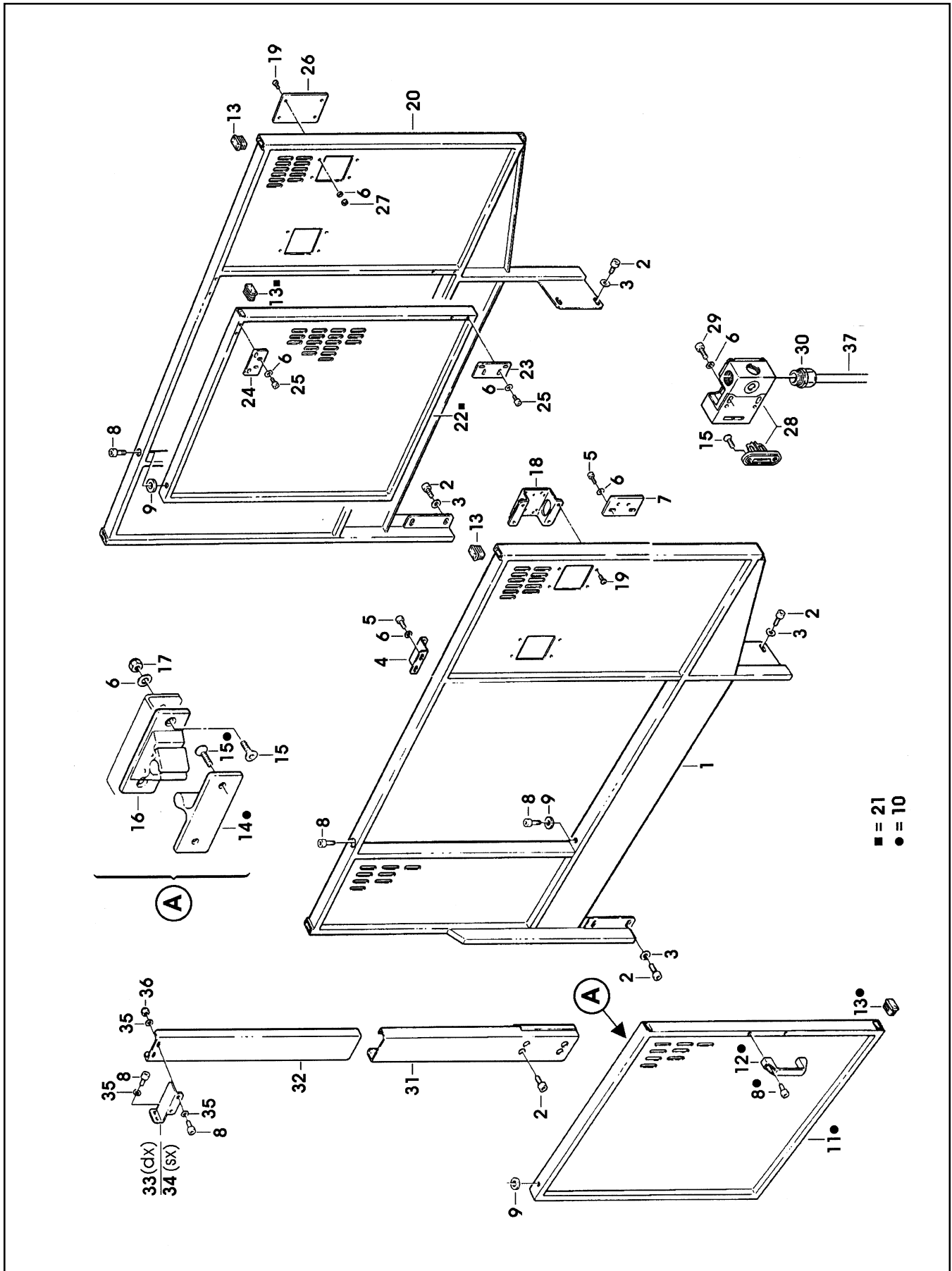
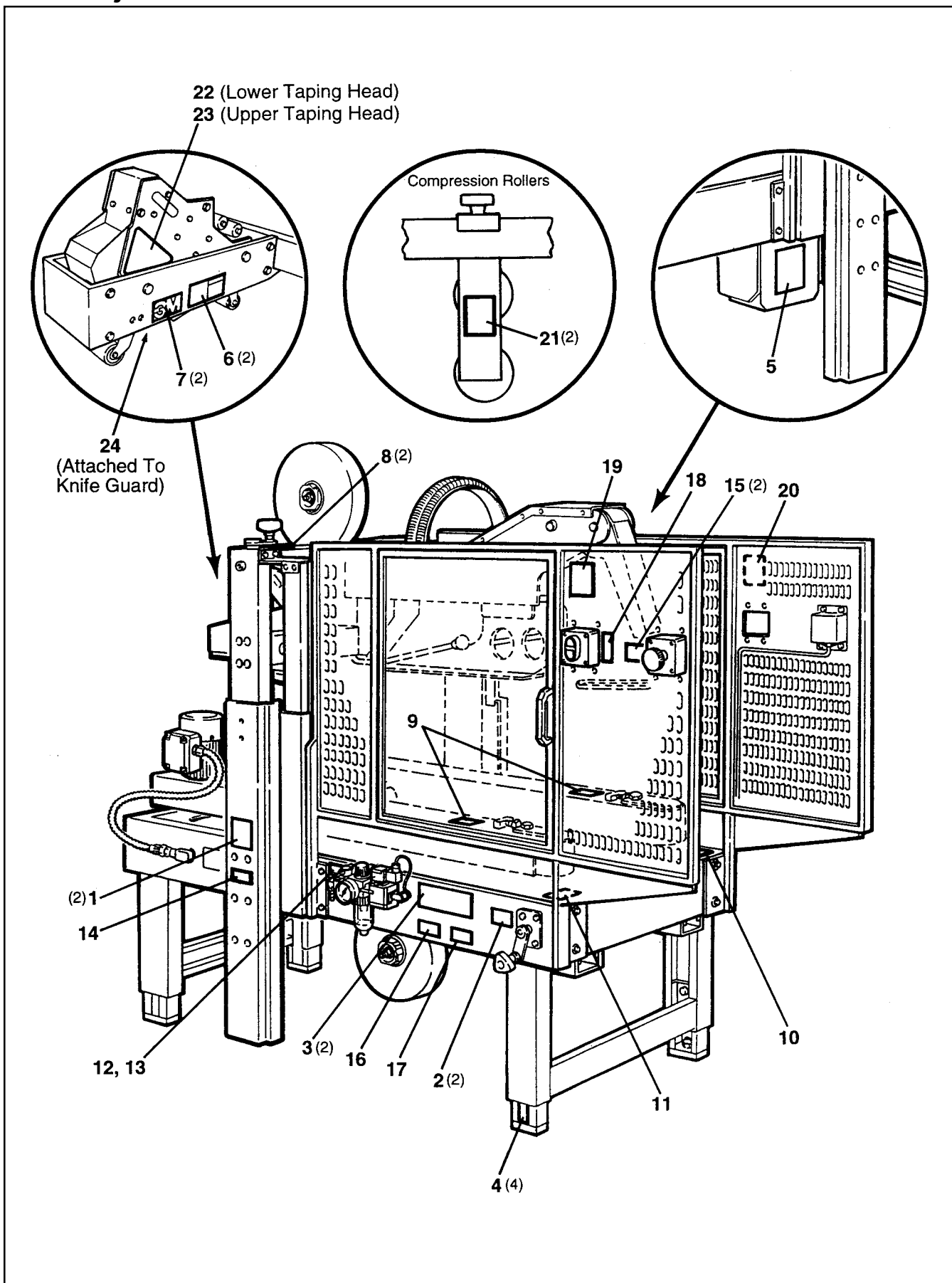


Figure 6237

Figure 6237

Ref. No.	3M Part No.	Description
6237-1	78-8119-6471-3	Guard – L/H, W/English Labels
6237-2	26-1003-7964-8	Screw – Soc Hd Hex Soc Dr, M8 x 20
6237-3	78-8017-9318-9	Washer – Plain, 8 mm
6237-4	78-8094-6461-9	Bracket
6237-5	78-8032-0382-3	Screw – Soc Hex Hd, M5 x 16
6237-6	78-8005-5741-1	Washer – Flat, M5
6237-7	78-8094-6471-8	Plate – Switch Mounting
6237-8	26-1003-7957-2	Screw – Soc Hd Hex Hd, M6 x 16
6237-9	78-8094-6464-3	Spacer
6237-10	78-8114-4655-4	Door Assembly – Guard, L/H
6237-11	78-8114-4656-2	Door – Guard, L/H
6237-12	78-8060-7807-3	Handle
6237-13	78-8094-6195-3	Cap
6237-14	78-8076-4931-0	Drawbar – Lock
6237-15	26-0001-5862-1	Screw – Flat Hd Soc, M5 x 12
6237-16	78-8076-4932-8	Lock – Wing
6237-17	26-1005-6859-6	Nut – Self-Locking, M5
6237-18	78-8094-6387-6	Support – Switch
6237-19	78-8060-8087-1	Screw – M5 x 10
6237-20	78-8119-6472-1	Guard – R/H, W/English Labels
6237-21	78-8114-4658-8	Door Assembly – Guard, R/H
6237-22	78-8114-4659-6	Door – Guard, R/H
6237-23	78-8094-6467-6	Plate – Lower
6237-24	78-8094-6468-4	Plate – Upper
6237-25	26-1003-7949-9	Screw – Soc Hd Hex Soc, M5 x 12
6237-26	78-8094-6470-0	Plate
6237-27	78-8010-7417-6	Nut – Hex, M5
6237-28	78-8076-4929-4	Security Switch – AZ15ZVR
6237-29	26-1003-7951-5	Screw – Soc Hd Hex Soc, M5 x 20
6237-30	78-8076-4532-6	Cord Grip – ST11
6237-31	78-8114-4660-4	Jamb – Guard
6237-32	78-8114-4661-2	Guard
6237-33	78-8114-4662-0	Bracket
6237-34	78-8114-4663-8	Bracket
6237-35	26-1000-0010-3	Washer – Flat, M6
6237-36	78-8091-0418-1	Nut – Self-Locking, M6
6237-37	78-8119-6508-2	Cable – 2 Pole

120af Adjustable Case Sealer



Safety and Information Labels

A label kit, part number 78-8113-6779-2, is available as a stock item. It contains all the safety and information labels used on the case sealer, or labels can be ordered separately from the following list.

Ref. No.	3M Part No.	Description	Qty.
1	78-8070-1621-3	Label – Safety Instructions	2
2	78-8070-1622-1	Label – In/Out	2
3	78-8062-4266-1	Label – Product	2
4	78-8060-8481-6	Label – Leg	4
5	78-8070-1329-3	Label – Warning, Hazardous Voltage	1
6	78-8070-1336-8	Label – Warning, Sharp Knife	2
7	78-8070-1339-2	Label – 3M Logo	2
8	78-8070-1423-4	Label – Up/Down	2
9	78-8070-1629-6	Label – Belt Tensioning	2
10	78-8070-1331-9	Label – Warning, Moving Belts	1
11	78-8070-1330-1	Label – Warning, Moving Belts	1
12	78-8113-6750-3	Label – Air Pressure 95 PSI Max	1
13	78-8111-1496-2	Label – Air Pressure, On/Off	1
14	78-8068-3859-1	Label – Service and Spares	1
15	78-8095-1141-9	Label – Stop	2
16	78-8111-1287-5	Label – Electrical Supply, Infeed Conveyor	1
17	78-8111-1430-1	Label – Air Supply, Infeed Conveyor	1
18	78-8113-6775-0	Label – Electrical, On/Off	1
19	78-8113-6882-4	Label – Warning, Flap Kicker, L/H	1
20	78-8113-6883-2	Label – Warning, Flap Kicker, R/H	1
21	78-8113-6912-9	Label – Caution, Pinch Point	2
22	78-8070-1364-0	Label – Tape Threading (Lower)	1
23	78-8070-1365-7	Label – Tape Threading (Upper)	1
24	78-8070-1335-0	Label – Warning, Sharp Knife	2