

Fig. 3158 for Europe version only

Fig. 2915 for International version only

Fig. 2807

Fig. 3434

Fig. 6248

Fig. 3847

Fig. 6247

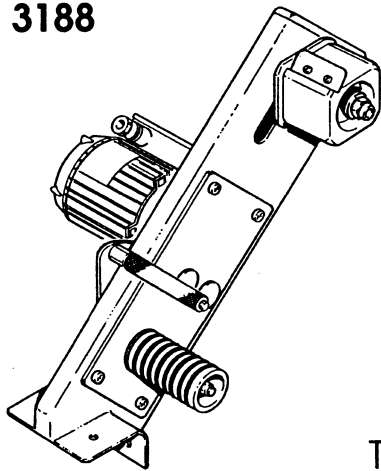
Fig. 2796

Fig. 10151

Fig. 10153

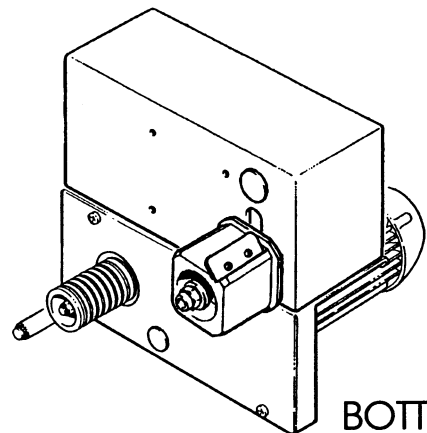
Fig. 2807

Fig. 3188



TOP

Fig. 3189



BOTTOM

**OPTIONAL
PRESTRIPPER**

Cod. prod. **78811408554**
FAM700AEIS000

Dec. 2003

700a-E/I-S

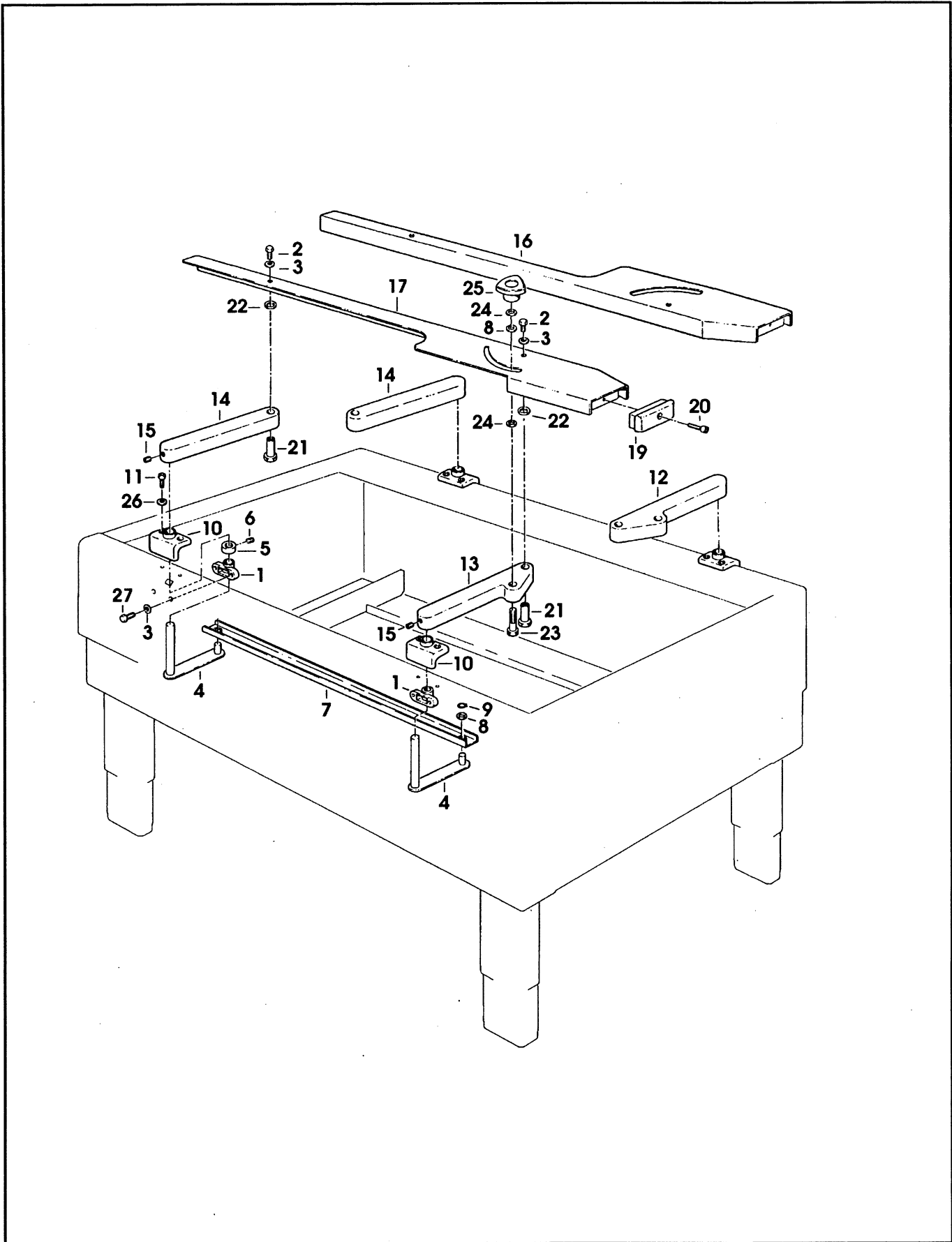
Type 39600

Fig. 2796 GUIDE LATERALI 78811408554 700a-E/I-S ADJUSTABLE CASE SEALER TYPE 39600

Pos.	Q.tà	UM	3M Code	Description
1	4	PZ	78807015363	SUPPORT - GUIDE ARM
2	4	PZ	78801071693	SCREW-METRIC, M6X12, HEX HD.
3	12	PZ	26100000103	WASHER - FLAT M6
4	4	PZ	78807015371	LEVER WITH PIVOT
5	4	PZ	78807015389	BUSHING
6	4	PZ	26100388169	SCREW, SET M5X6
7	2	PZ	78807015397	LINK - GUIDE
8	6	PZ	78801790748	WASHER-NYLON 15MM
9	4	PZ	78805267339	RING, SPECIAL M10
10	4	PZ	78807015405	SUPPORT - LEVER
11	8	PZ	78803203823	SCREW-SOC.HEX HD.M5X16 ZINC.PL
12	1	PZ	78807015413	GUIDE ARM - FRONT, RIGHT
13	1	PZ	78807015421	GUIDE ARM - FRONT, LEFT
14	2	PZ	78807015439	GUIDE ARM - REAR
15	4	PZ	78807645052	SET SCREW - M6X8
16	1	PZ	78807015447	GUIDE - RIGHT
17	1	PZ	78807015454	GUIDE - LEFT
19	2	PZ	78807015462	CAP - GUIDE
20	2	PZ	26100379531	SCREW, SOC HD M5X30
21	4	PZ	78807015470	SHAFT - GUIDE
22	4	PZ	78807015488	WASHER - NYLON 20X12,5X1
23	2	PZ	26100358527	SCREW-HEX HD. M10X40
24	4	PZ	26100455109	WASHER - PLAIN, M10
25	2	PZ	78807015496	KNOB VTR-B-M10
26	8	PZ	78800557353	WASHER-METRIC, LOCK, M5
27	8	PZ	78803203757	SCREW METRIC M6X16 HEX.HD.

16 dicembre 2003

2003, december 16th



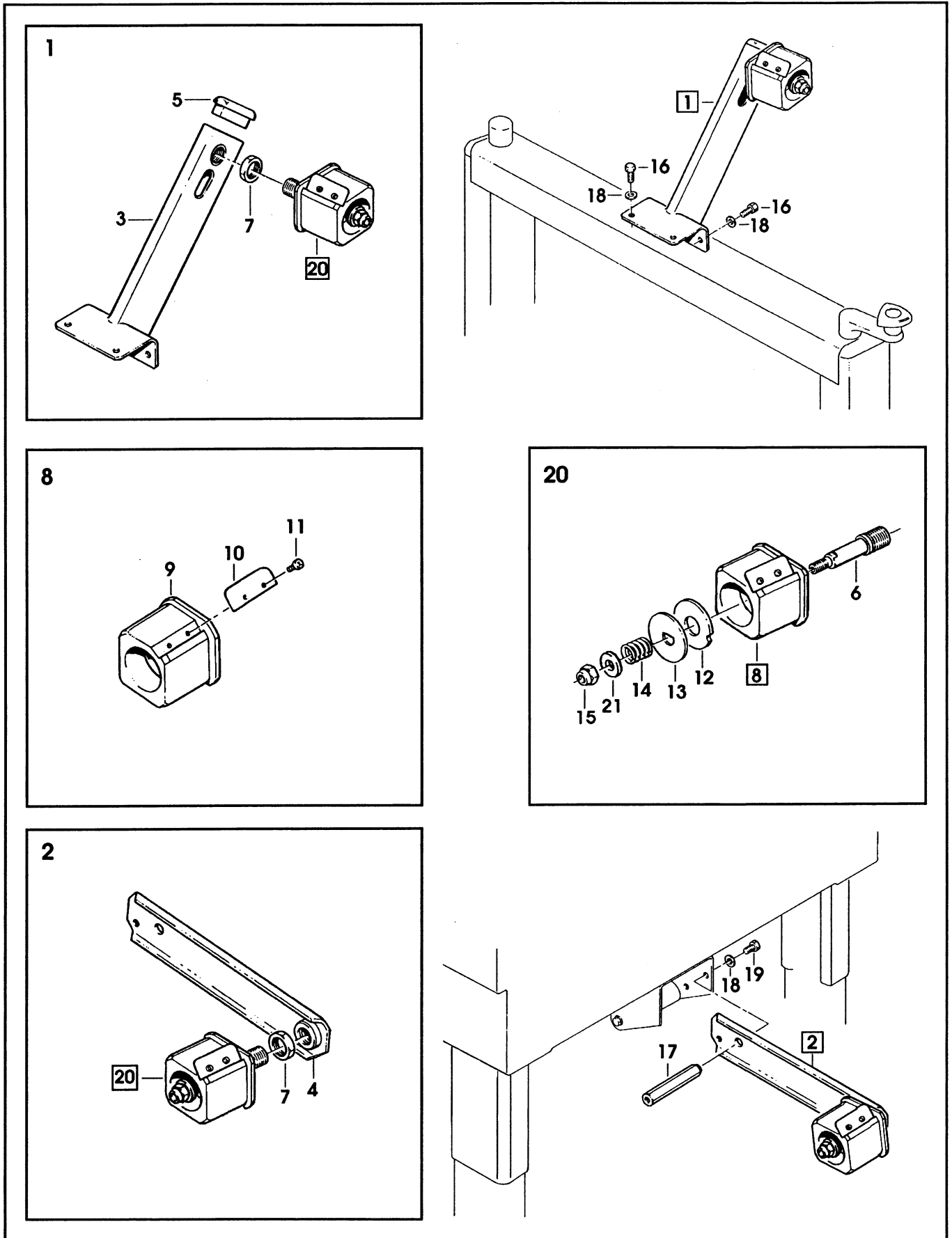
700a-E/I-S

Dec. 2003

Fig. 2796

Fig. 2807 PORTAROTOLI 78811408554 700a-E/I-S ADJUSTABLE CASE SEALER TYPE 39600

Pos.	Q.tà	UM	3M Code	Description
1	1	PZ	78807646332	TAPE ROLL BRACKET ASSY
2	1	PZ	78807015652	TAPE DRUM BRACKET ASS.Y
3	1	PZ	78807015660	BRACKET - TAPE DRUM
4	1	PZ	78807013954	BRACKET - BUSHING ASS.Y
5	1	PZ	78807015686	CAP - BRACKET
6	2	PZ	78811987508	STUD
7	2	PZ	78801791696	NUT-M18X1
8	2	PZ	78807015694	TAPE DRUM ASSY - 2" WIDE
9	2	PZ	78805267495	TAPE DRUM
10	2	PZ	78805262686	LEAF SPRING
11	4	PZ	26100257539	SCREW-SELF TAPPING, 7SPX8
12	2	PZ	78806081721	WASHER-FRICTION
13	2	PZ	78805262710	WASHER-TAPE DRUM
14	2	PZ	78810010484	SPRING - CORE HOLDER
15	2	PZ	78801790771	NUT - SELF-LOCKING M10X1
16	4	PZ	78803203757	SCREW METRIC M6X16 HEX.HD.
17	1	PZ	78807012154	SPACER - STUD
18	7	PZ	26100000103	WASHER - FLAT M6
19	3	PZ	78801071693	SCREW-METRIC, M6X12, HEX HD.
20	2	PZ	78806084741	TAPE DRUM ASS.Y 2" HEAD
21	2	PZ	26100455109	WASHER - PLAIN, M10



700a-E/I-S

Dec. 2003

Fig. 2807

Fig. 2915 CANALINA 700a-I 78811408554 700a-E/I-S ADJUSTABLE CASE SEALER TYPE 39600

Pos.	Q.tà	UM	3M Code	Description
1	1	PZ	78809106608	HOUSING - WIRE
2	1	PZ	78807647025	GROMMET - HEYCO SB1093-13
3	2	PZ	26100379630	SCREW - SOC. HD. M8X16
4	1	PZ	78807646365	STRAP - WIRE
5	4	PZ	78801071636	SCREW-METRIC, M5X10, HEX.HD.
6	4	PZ	78800557411	WASHER - FLAT, M5
7	4	PZ	78801074176	NUT - METRIC, HEX STL. M5
8	3	PZ	78806076267	CONNECTOR
9	1	PZ	78806081549	SLEEVING (0,90 MT)
10	1	PZ	78806084220	SLEEVING - 1,12 MT.
11	5	PZ	78806080293	CLAMP
12	1	PZ	78811989751	COVER
13	4	PZ	78801071578	SCREW-HEX.HD. M4X10
14	4	PZ	78801790185	WASHER-METRIC, PLAIN, M4 SPEC.

FOR VERSION INTERNATIONAL ONLY

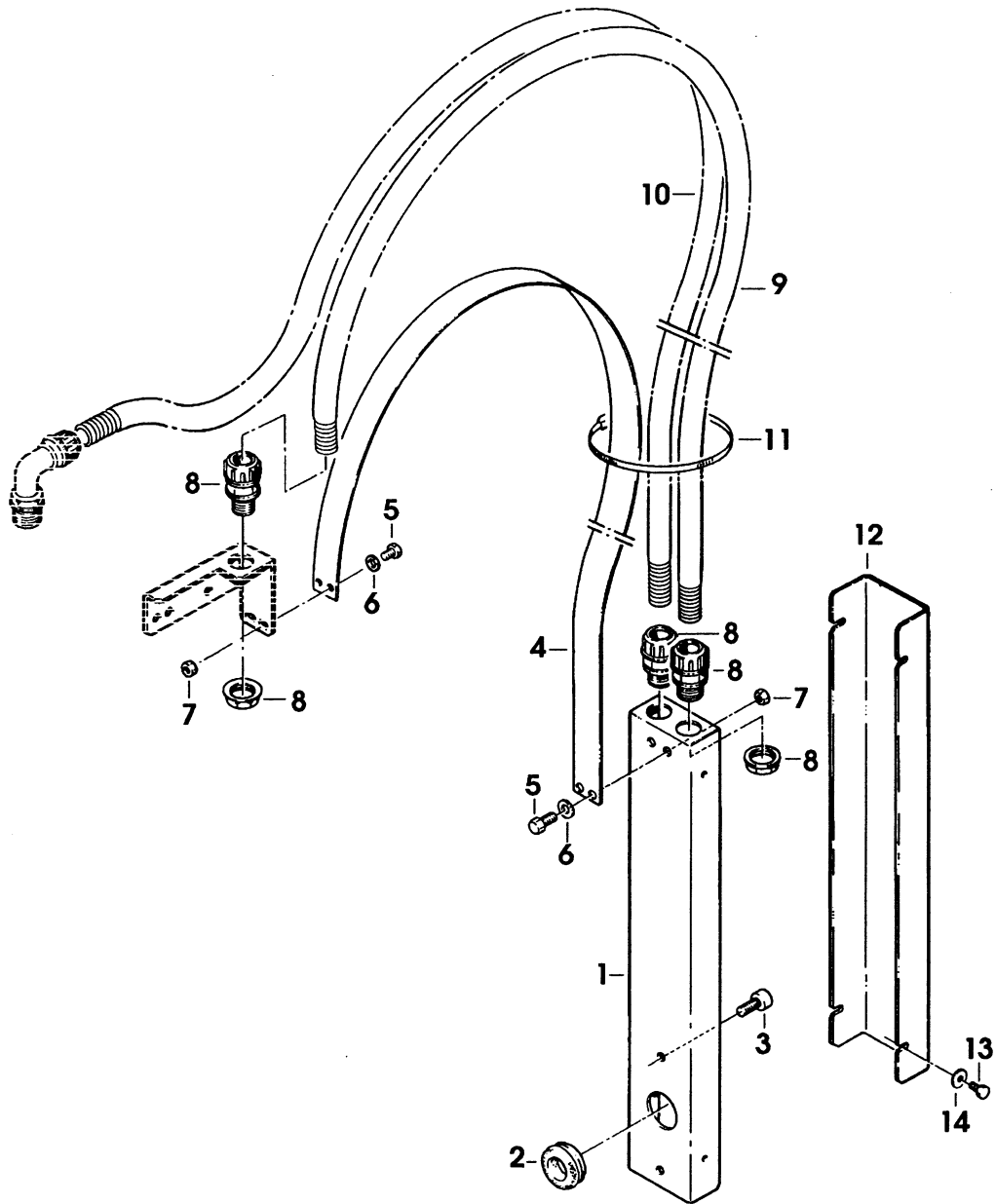


Fig. 3158 CANALINA 700a-E 78811408554 700a-E/I-S ADJUSTABLE CASE SEALER TYPE 39600

Pos.	Q.tà	UM	3M Code	Description
1	1	PZ	78807649906	HOUSING - WIRE
2	1	PZ	78807647025	BGROMMET - HEYCO SB1093-13
3	2	PZ	26100379630	SCREW - SOC. HD. M8X16
4	2	PZ	78801793189	WASHER-PLAIN-METRIC 8MM
5	1	PZ	78807646365	STRAP - WIRE
6	4	PZ	78801071636	SCREW-METRIC, M5X10, HEX.HD.
7	13	PZ	78800557411	WASHER - FLAT, M5
8	7	PZ	78801074176	NUT - METRIC, HEX STL. M5
9	3	PZ	78806076267	CONNECTOR
10	1	PZ	78806081549	SLEEVING (0,90 MT)
11	1	PZ	78806084220	SLEEVING - 1,12 MT.
12	5	PZ	78806080293	CLAMP
13	1	PZ	78807649666	COVER
14	6	PZ	78801790664	SCREW - METRIC, M5X12
15	1	PZ	78801071651	SCREW, FLAT HD SOC.M5X25
16	3	PZ	78804682173	WASHER - SPECIAL
17	2	PZ	78806078727	COVER PLUG STRAIGHT
18	2	PZ	78806078735	PLUG FEMALE
19	4	PZ	78802882080	SCREW - 6PX9,5
20	2	PZ	78807649674	COVER
21	0,34	PZ	78807649682	TERMINAL
22	2	PZ	26100249551	SCREW-SELF TAP 8PX13

FOR VERSION EUROPE ONLY

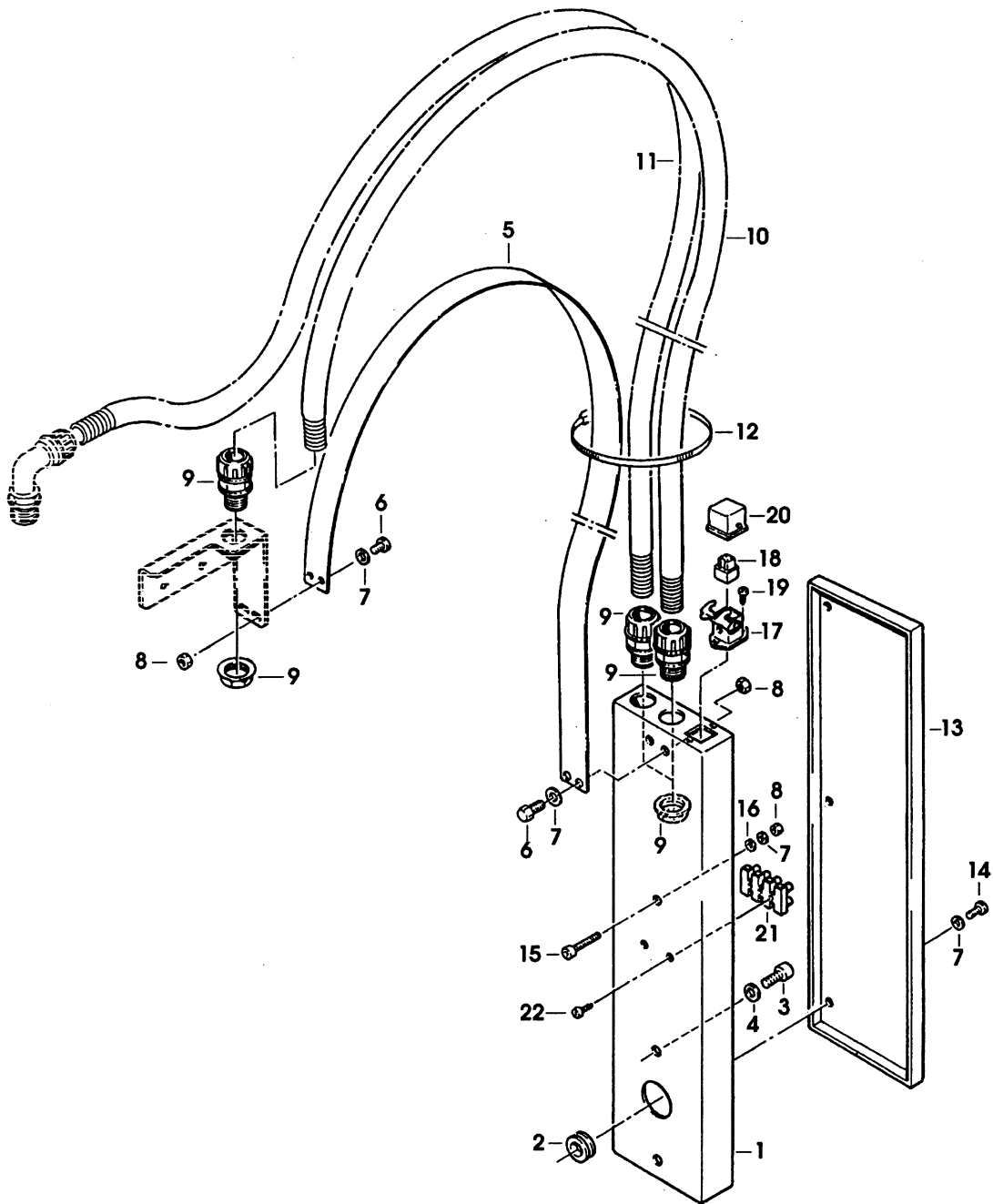


Fig. 3434 COLONNE 78811408554 700a-E/I-S ADJUSTABLE CASE SEALER TYPE 39600

Pos.	Q.tà	UM	3M Code	Description
1	2	PZ	78806084899	COLUMN - OUTER
2	2	PZ	78806084907	PLATE - COLUMN MOUNTING
3	20	PZ	26100379648	SCREW SOC.HD.HEX SOC.DR.,M8X20
4	12	PZ	78801793189	WASHER-PLAIN-METRIC 8MM
5	2	PZ	78806084915	CAP - COLUMN
6	4	PZ	26100249551	SCREW-SELF TAP 8PX13
7	11	PZ	78800557403	WASHER PLAIN-METRIC 4MM NICK.
8	2	PZ	78806084923	STOP - HEIGHT
9	2	PZ	78807654823	PLATE - NUT STOP
10	4	PZ	78801790664	SCREW - METRIC, M5X12
11	2	PZ	78806084949	COLUMN ASS.Y - INNER
12	2	PZ	78806084956	COLUMN - INNER
13	8	PZ	78805486178	BEARING SPECIAL /33-8-6
14	8	PZ	78805485899	SCREW SPECIAL
15	10	PZ	26100369169	NUT LOCKING PLASTIC INSERT M6
16	2	PZ	78806084964	LEAD SCREW
17	2	PZ	78805489974	SPRING
18	2	PZ	78805489701	BED PLATE FOR SPRING
19	2	PZ	78805485717	PLASTIC NUT
20	2	PZ	78805489685	SPECIAL NUT
21	2	PZ	78805485857	COLLAR
22	2	PZ	78805485865	PIN
23	2	PZ	78805485840	THRUST BEARING - O.D. 30 mm
24	2	PZ	78805485832	BUSHING
25	2	PZ	78806084972	BUSHING - LEAD SCREW
26	2	PZ	78805956170	SET SCREW M6X8
27	2	PZ	78806084980	BUSHING - INNER COLUMN
28	2	PZ	78806084998	SPROCKET - 3/8" Z=13
29	2	PZ	26100379465	SCREW - SOC.HD. M4X25
30	1	PZ	78807015017	CHAIN - 3/8" P=156
31	1	PZ	78807015025	HOUSING - CHAIN
32	2	PZ	78806078784	IDLER SCREW
33	2	PZ	78807015033	ROLLER - CHAIN TENSIONING
34	4	PZ	78804229199	WASHER - TRIPLE, M6
35	8	PZ	26100358295	SCREW HEX.HD.M6X12
36	8	PZ	26100000103	WASHER - FLAT M6
37	1	PZ	78807015041	COVER
38	7	PZ	78801071578	SCREW-HEX.HD. M4X10
39	2	PZ	78807015058	CAP - INNER COLUMN
40	1	PZ	78807015066	COVER - SCREW
41	1	PZ	78807648072	CRANK ASSY
42	1	PZ	78807654229	CRANK ASS.Y
43	1	PZ	78807015090	SHAFT - CRANK
44	1	PZ	26100553168	SCREW, FLAT HD.HEX DR.M5X16
45	1	PZ	78807015108	WASHER - NYLON, /7X15X1
46	1	PZ	78807015116	BUSHING
47	1	PZ	78807015124	KNOB - VTR-B-M12
48	1	PZ	78807648007	WASHER - CRANK
49	1	PZ	78807648098	WASHER - CRANK
50	1	PZ	78807648213	KEY - STOP
50	1	PZ	78807648213	KEY - STOP
51	4	PZ	78805488216	END - CAP
52	8	PZ	26100455075	WASHER M8

16 dicembre 2003

2003, december 16th

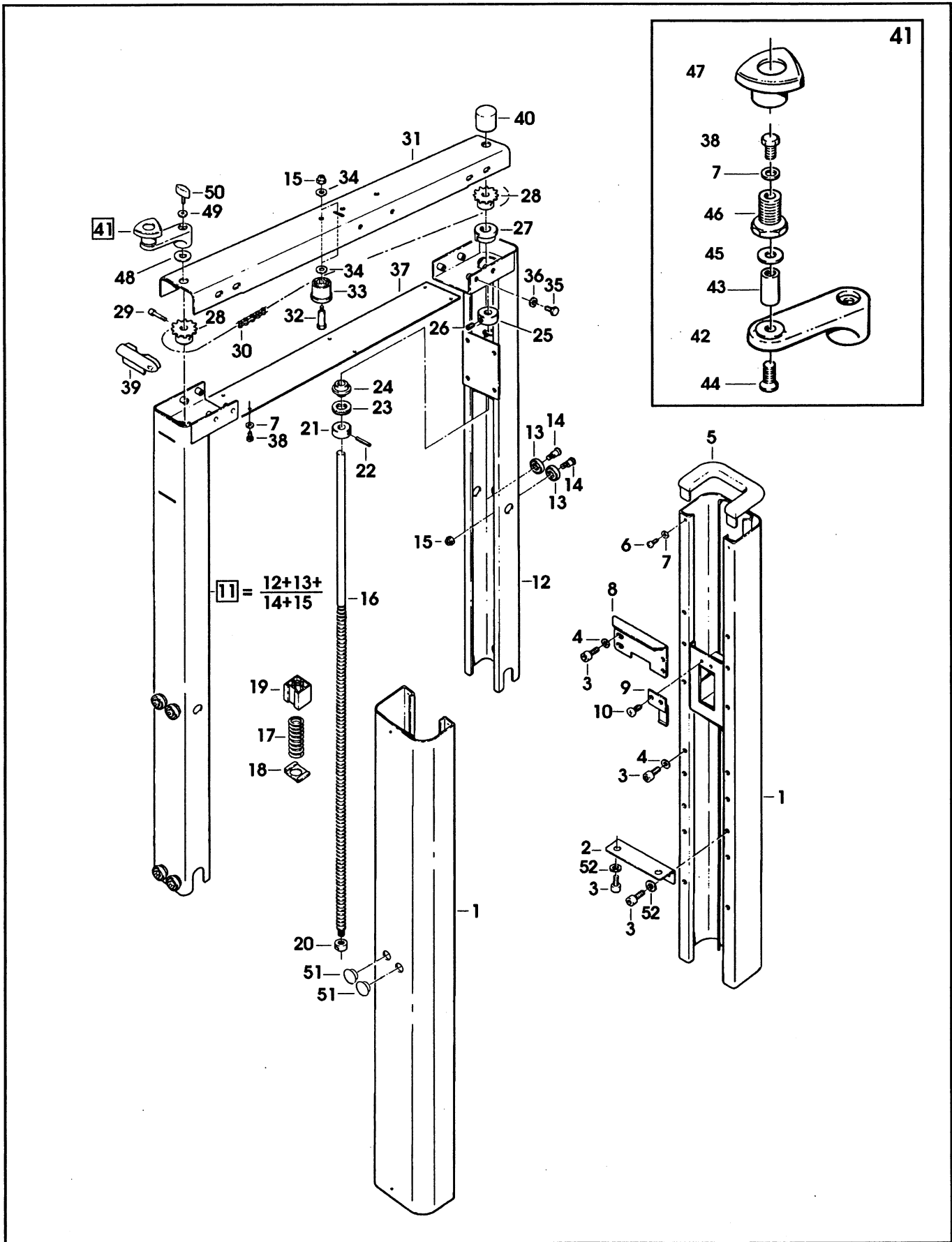


Fig. 3847 PRESSATORI LATERALI 78811408554 700α-E/I-S ADJUSTABLE CASE SEALER TYPE 39600

Pos.	Q.tà	UM	3M Code	Description
1	2	PZ	78809105451	ROLLER - SIDE COMPRESSION
2	2	PZ	78809105469	SUPPORT - ROLLER
3	4	PZ	78807646282	ROLLER - COMPRESSION
4	4	PZ	78807646290	SHAFT - ROLLER
5	4	PZ	26100358410	SCREW M8X16
6	4	PZ	78801793189	WASHER-PLAIN-METRIC 8MM
7	2	PZ	78807646308	PLATE - TUBE, ROLLER
8	2	PZ	78807646316	SCREW - M10X35
9	2	PZ	78807646324	CAP - SUPPORT
10	2	PZ	78801790748	WASHER-NYLON 15MM
11	2	PZ	26100455109	WASHER - PLAIN, M10
12	2	PZ	78807015496	KNOB VTR-B-M10

16 dicembre 2003

2003, december 16th

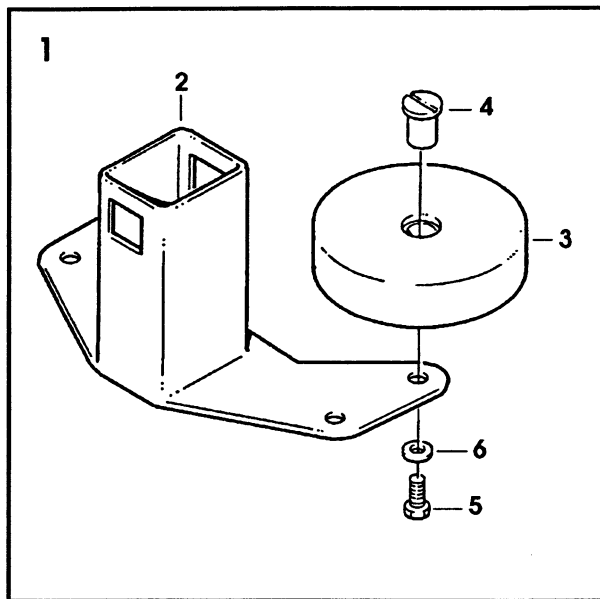
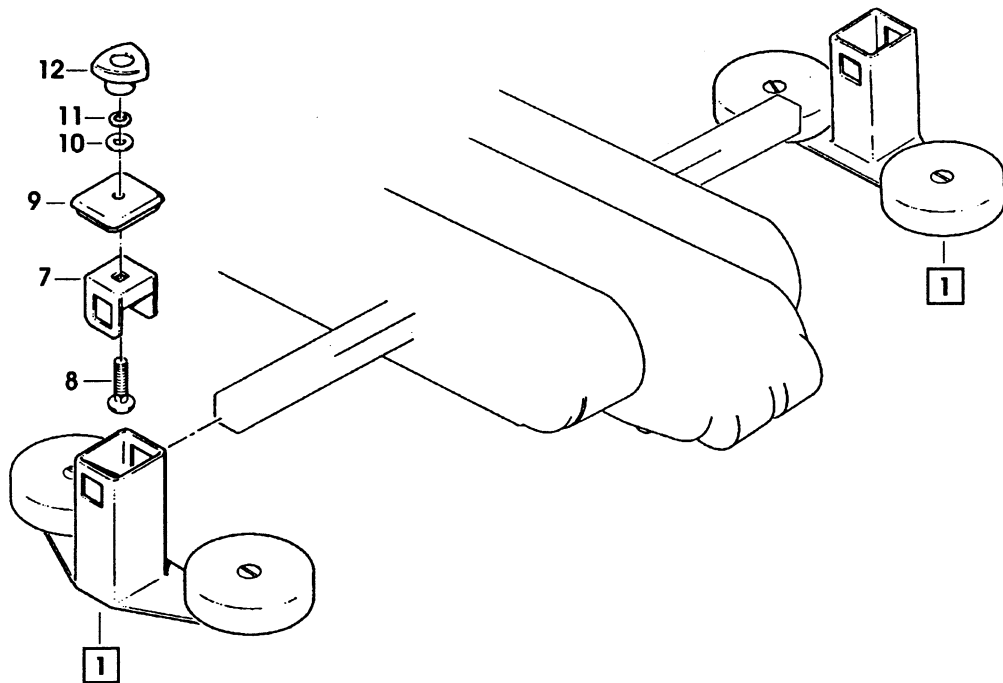
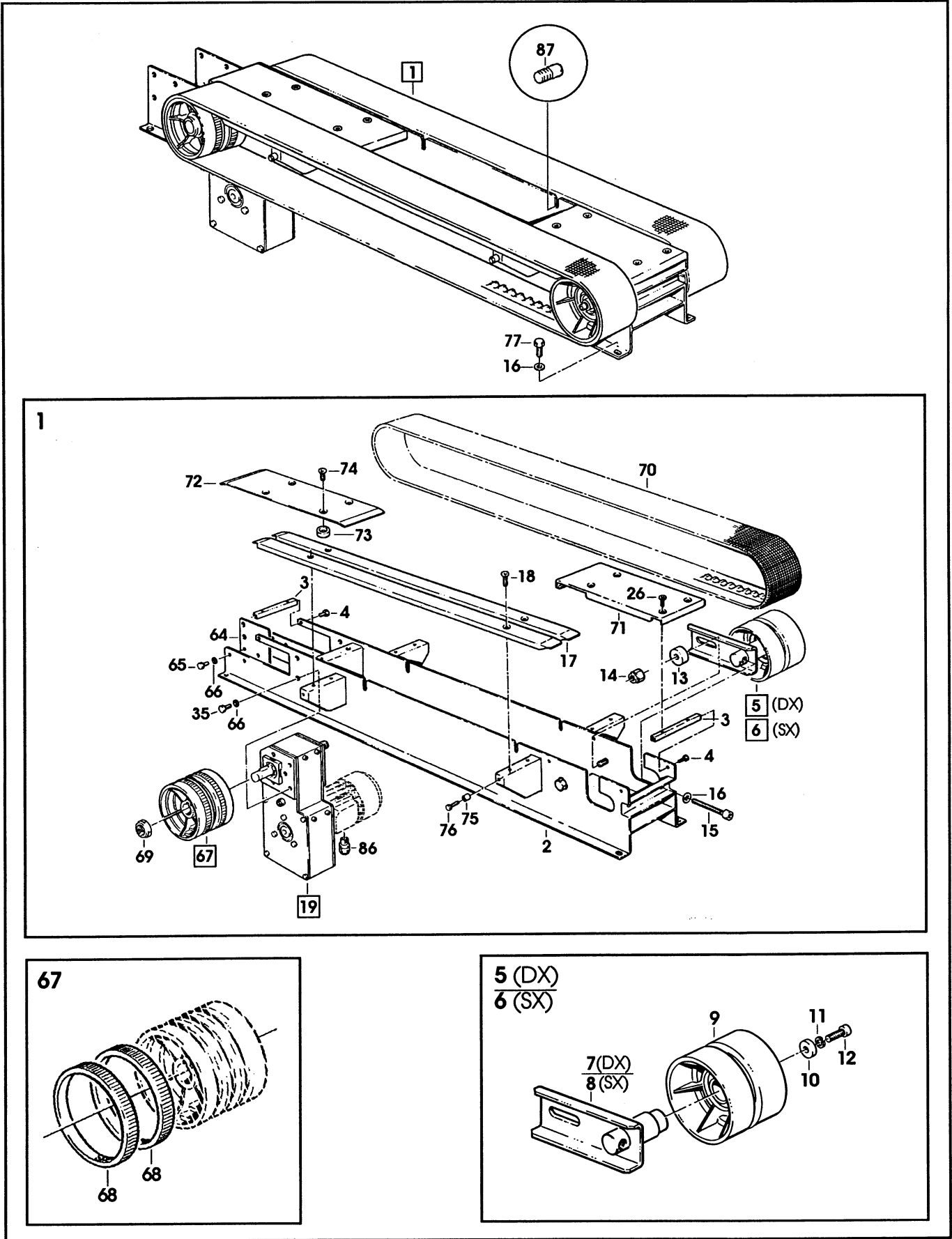


Fig. 6247 MOTORIZZAZIONE INFERIORE 78811408554 700a-E/I-S ADJUSTABLE CASE SEALER TYPE 39600

Pos.	Q.tà	UM	3M Code	Description
1	1	PZ	78810012415	DRIVE ASSY - BTM, W/O MOTOR
2	1	PZ	78807646175	FRAME - BOTTOM DRIVE
3	3	PZ	78807015140	SPACER
4	6	PZ	26100358295	SCREW HEX.HD.M6X12
5	1	PZ	78810012365	BEL TENSIONING ASSY - R/H
6	1	PZ	78810012373	BELT TENSIONING ASSY - L/H
7	1	PZ	78810012381	BELT TENSIONING - R/H
8	1	PZ	78810012399	BELT TENSIONING - L/H
9	2	PZ	78805267107	ROLLER - IDLER
10	2	PZ	78805267099	WASHER - SPECIAL
11	2	PZ	78801074358	WASHER METRIC LOCK,M6
12	2	PZ	26100379572	SCREW SOC. HD. HEX HD. M6X16
13	2	PZ	78807015181	SPACER - SHAFT
14	2	PZ	26100369185	NUT, PLASTIC INSERT M10 HEX
15	2	PZ	78807015199	SCREW - SOC.HD. HEX.HD. M8X70
16	6	PZ	78801793189	WASHER-PLAIN-METRIC 8MM
17	4	PZ	78807015207	GUIDE - DRIVE BELT
18	8	PZ	26100547574	SCREW - FLAT HD, SOC.DR. M5X20
19	1	PZ	78807645276	GEAR BOX ASS.Y W/O MOTOR
22	2	PZ	78805489750	SPACER
23	3	PZ	78805489776	SPACER
24	8	PZ	26100358204	SCREW - HEX HD.M-5X12
25	14	PZ	78800557411	WASHER - FLAT, M5
26	7	PZ	26000158621	SCREW, FLAT HD SOC.M5X12
27	1	PZ	78806081465	GEAR BOX PULLEY ASS.Y
28	1	PZ	78805489800	PULLEY TIMING BELT
29	1	PZ	78805489792	HOUSING-BEARING
30	1	PZ	78802882445	KEY - 4 X 4 X 10MM
31	1	PZ	78805489818	SPROCKET - 3/8 PITCH, 11 TEETH
32	1	PZ	78805488778	WASHER, 5,5/20X4
33	1	PZ	78805485774	WASHER - SPECIAL
34	1	PZ	26100198436	SCREW FLAT SOC.HD.M6X16
35	7	PZ	78801071933	SCREW-METRIC, M6X20, HEX.HD.
36	3	PZ	78804229199	WASHER - TRIPLE, M6
37	1	PZ	78807645300	PULLEY ASS.Y
38	1	PZ	78805489784	PULLEY W/BEARING 6203-2RS/17-
39	1	PZ	78807645318	SHAFT - TIMING PULLEY
40	1	PZ	78801658556	E - RING 10MM
41	2	PZ	78807645805	NUT - SELF LOCKING M8
42	1	PZ	78805758089	TIMING BELT 187L100
43	1	PZ	78805757248	TIMING BELT 187L050 BORAN
44	1	PZ	78805489826	PULLEY-TIMING 11 TEETH
45	1	PZ	26100388169	SCREW, SET M5X6
46	4	PZ	78801793015	SCREW-HEX HEAD M8X25
47	4	PZ	26100455075	WASHER M8
48	4	PZ	78800557361	LOCKWASHER-FOR M8 SCREW
49	4	PZ	26100369045	NUT - HEX, M8
50	1	PZ	78807645821	DRIVE SHAFT ASS.Y
51	1	PZ	78805489867	SPROCKET-3/8" PITCH,28 TEETH
52	1	PZ	78805758113	KEY,6X6X20 MM.



700a-E/I-S

Dec. 2003

Fig. 6247/1

Fig. 6247 MOTORIZZAZIONE INFERIORE 78811408554 700a-E/I-S ADJUSTABLE CASE SEALER TYPE 39600

Pos.	Q.tà	UM	3M Code	Description
53	2	PZ	78805757396	KEY, M5X5X30 MM
54	1	PZ	78805489842	BUSHING
55	2	PZ	78805489834	FLANGE-RADIAL BALL BEARING
56	1	PZ	78807645813	SHAFT - GEAR BOX
57	1	PZ	78805489875	CHAIN-3/8" PITCH,57 PITCH LONG
58	1	PZ	78807645839	COVER - TOP
60	6	PZ	26100379499	SCREW SOC. HD. HEX SOC. M5X12
61	1	PZ	78807645854	SUPPORT - RIGHT, BEARING
62	1	PZ	78807645862	SUPPORT - LEFT, BEARING
63	8	PZ	78803203823	SCREW-SOC.HEX HD.M5X16 ZINC.PL
64	2	PZ	78807646191	BRACKET - REAR, ROLLER
65	4	PZ	78801071693	SCREW-METRIC, M6X12, HEX HD.
66	8	PZ	26100000103	WASHER - FLAT M6
67	2	PZ	78807651050	PULLEY ASS.Y - DRIVE
68	4	PZ	78805267131	RING - POLYURETHANE
69	2	PZ	78806084162	NUT - SPECIAL M20X1
70	2	PZ	78807015314	BELT - DRIVE, WITH HOOK
71	1	PZ	78807015843	COVER - DRIVE, FRONT
72	1	PZ	78807646183	COVER - REAR
73	4	PZ	78805487515	SPACER
74	4	PZ	26100553168	SCREW, FLAT HD.HEX DR.M5X16
75	4	PZ	78807015348	STUD - SIDE PLATE
76	4	PZ	78806084881	SCREW - HEX.HD. M5X20
77	4	PZ	26100358410	SCREW M8X16
78	1	PZ	78810008652	MOTOR - 200/220V, 50/60HZ
79	1	PZ	78805267180	MOTOR- 220/415V, 50HZ, 3-PHASE
80	1	PZ	78805267198	MOTOR - 260/440V - 50HZ 3PHASE
81	1	PZ	78804682678	MOTOR- 110/110V, 50/60HZ
82	1	PZ	78809106541	MOTOR - 125V 60HZ 1-PHASE
83	1	PZ	78804682686	MOTOR 1-PH, 220/240V. 50HZ
84	1	PZ	78807645904	MOTOR 220/240V 60HZ 1-PHASE
85	1	PZ	78807653726	FAN - MOTOR
86	1	PZ	78807645326	CORD GRIP
87	4	PZ	78807645003	STUD - MOUNTING
88	1	PZ	78809107895	FRAME - R/H
89	1	PZ	78809107903	FRAME - L/H
90	1	PZ	78809105980	COVER - GEARBOX

16 dicembre 2003

2003, december 16th

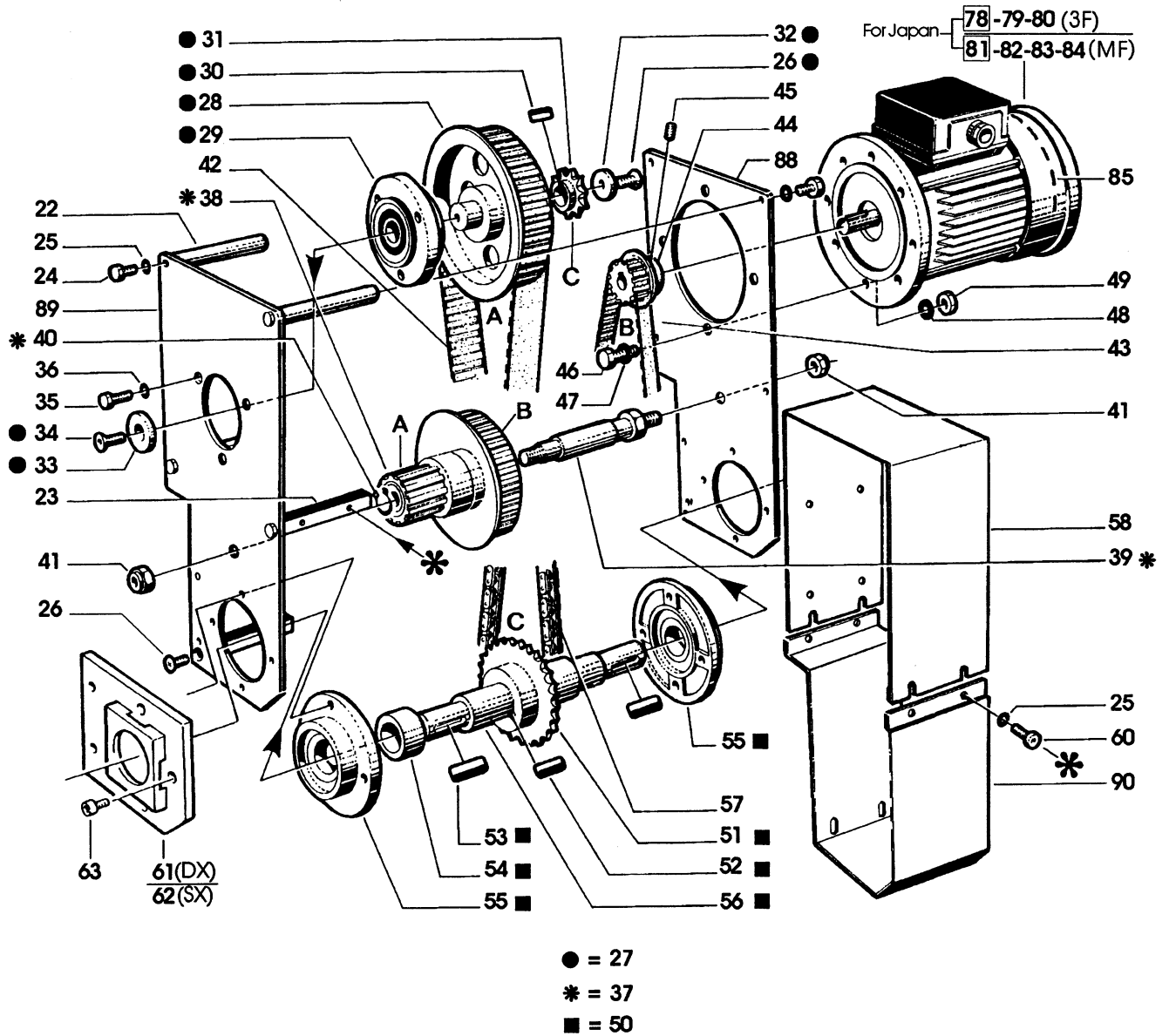
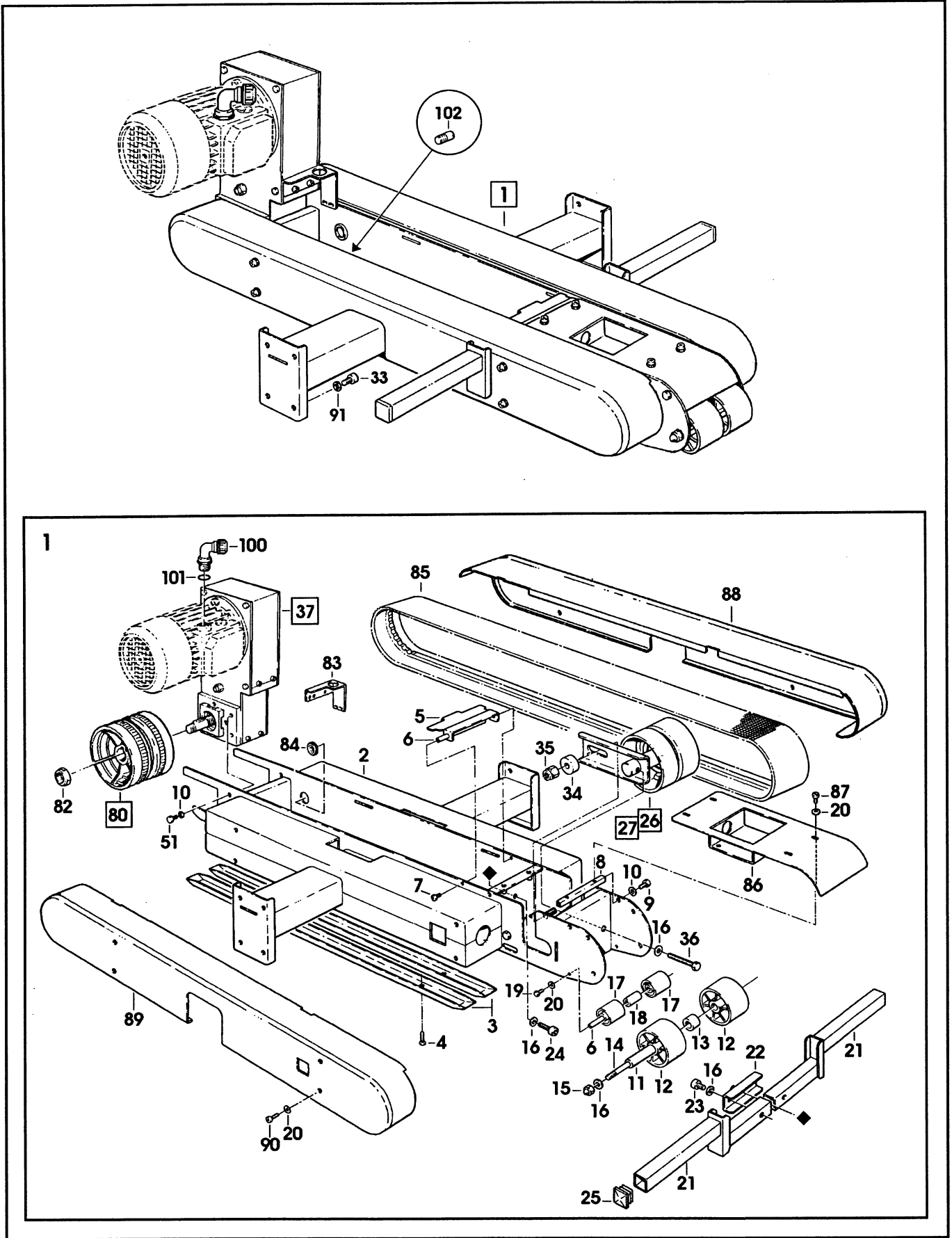


Fig. 6248 MOTORIZZAZIONE SUPERIORE 78811408554 700a-E/I-S ADJUSTABLE CASE SEALER TYPE 39600

Pos.	Q.tà	UM	3M Code	Description
1	1	PZ	78810012423	DRIVE ASSY - TOP, W/O MOTOR
2	1	PZ	78807646829	FRAME - TOP DRIVE
3	4	PZ	78807015207	GUIDE - DRIVE BELT
4	8	PZ	26100547574	SCREW - FLAT HD, SOC.DR. M5X20
5	1	PZ	78807015892	CLAMP - UPPER HEAD
6	2	PZ	78807015900	SHAFT - ROLLER
7	2	PZ	26100379481	SCREW,SOC.HD HEX SOC.M5X10
8	1	PZ	78807015140	SPACER
9	2	PZ	78801071693	SCREW-METRIC, M6X12, HEX HD.
10	2	PZ	26100000103	WASHER - FLAT M6
11	1	PZ	78810011300	TUBE - ROLLER
12	2	PZ	78805266414	ROLLER
13	1	PZ	78807015926	SPACER - ROLLER
14	1	PZ	78810011318	SHAFT - ROLLER
15	2	PZ	78810011326	NUT - SPECIAL, M8
16	12	PZ	78801793189	WASHER-PLAIN-METRIC 8MM
17	2	PZ	78806076937	ROLLER 32X38
18	1	PZ	78807015934	SPACER - ROLLER
19	10	PZ	26100358204	SCREW - HEX HD.M-5X12
20	26	PZ	78800557411	WASHER - FLAT, M5
21	2	PZ	78809106780	SUPPORT - ROLLER
22	1	PZ	78809106798	BRACKET - COMPRESS. ROLLER
23	2	PZ	26100379648	SCREW SOC.HD.HEX SOC.DR.,M8X20
24	1	PZ	26100379689	SCREW SOC.HD.HEX.SOC.DR.M8X40
25	2	PZ	78805266521	CAP - END
26	1	PZ	78810012365	BEL TENSIONING ASSY - R/H
27	1	PZ	78810012373	BELT TENSIONING ASSY - L/H
28	1	PZ	78810012381	BELT TENSIONING - R/H
29	1	PZ	78810012399	BELT TENSIONING - L/H
30	2	PZ	78805267107	ROLLER - IDLER
31	2	PZ	78805267099	RWASHER - SPECIAL
32	2	PZ	78801074358	WASHER METRIC LOCK.M6
33	10	PZ	26100379572	SCREW SOC. HD. HEX HD. M6X16
34	2	PZ	78807015181	SPACER - SHAFT
35	2	PZ	26100369185	NUT, PLASTIC INSERT M10 HEX
36	2	PZ	78807015942	SCREW - HEX.HD. M8X60
37	1	PZ	78807645276	GEAR BOX ASS.Y W/O MOTOR
40	2	PZ	78805489750	SPACER
41	3	PZ	78805489776	SPACER
42	3	PZ	26000158621	SCREW, FLAT HD SOC.M5X12
43	1	PZ	78806081465	GEAR BOX PULLEY ASS.Y
44	1	PZ	78805489800	PULLEY TIMING BELT
45	1	PZ	78805489792	HOUSING-BEARING
46	1	PZ	78802882445	KEY - 4 X 4 X 10MM
47	1	PZ	78805489818	SPROCKET - 3/8 PITCH, 11 TEETH
48	1	PZ	78805488778	WASHER, 5,5/20X4
49	1	PZ	78805485774	WASHER - SPECIAL
50	1	PZ	26100198436	SCREW FLAT SOC.HD.M6X16
51	7	PZ	78801071933	SCREW-METRIC, M6X20, HEX.HD.
52	3	PZ	78804229199	WASHER - TRIPLE, M6
53	1	PZ	78807645300	PULLEY ASS.Y
54	1	PZ	78805489784	PULLEY W/BEARING 6203-2RS/17-
55	1	PZ	78807645318	SHAFT - TIMING PULLEY
56	1	PZ	78801658556	E - RING 10MM



700a-E/I-S

Dec. 2003

Fig. 6248/1

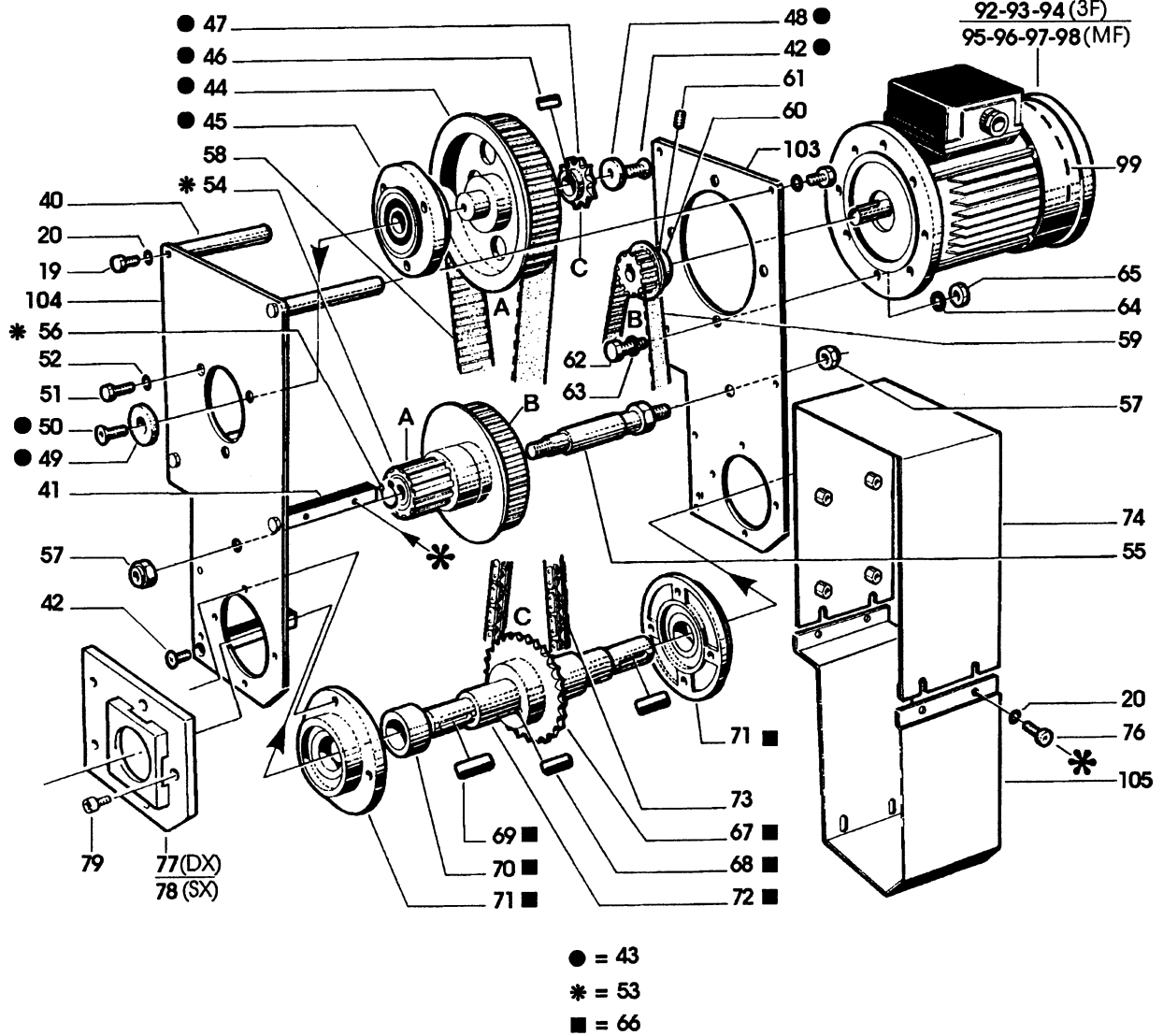
Fig. 6248 MOTORIZZAZIONE SUPERIORE 78811408554 700a-E/I-S ADJUSTABLE CASE SEALER TYPE 39600

Pos.	Q.tà	UM	3M Code	Description
57	2	PZ	78807645805	NUT - SELF LOCKING M8
58	1	PZ	78805758089	TIMING BELT 187L100
59	1	PZ	78805757248	TIMING BELT 187L050 BORAN
60	1	PZ	78805489826	PULLEY-TIMING 11 TEETH
61	1	PZ	26100388169	SCREW, SET M5X6
62	4	PZ	78801793015	SCREW-HEX HEAD M8X25
63	4	PZ	26100455075	WASHER M8
64	4	PZ	78800557361	LOCKWASHER-FOR M8 SCREW
65	4	PZ	26100369045	NUT - HEX, M8
66	1	PZ	78807645821	DRIVE SHAFT ASS.Y
67	1	PZ	78805489867	SPROCKET-3/8" PITCH,28 TEETH
68	1	PZ	78805758113	KEY,6X6X20 MM.
69	2	PZ	78805757396	KEY, M5X5X30 MM
70	1	PZ	78805489842	BUSHING
71	2	PZ	78805489834	FLANGE-RADIAL BALL BEARING
72	1	PZ	78807645813	SHAFT - GEAR BOX
73	1	PZ	78805489875	CHAIN-3/8" PITCH,57 PITCH LONG
74	1	PZ	78809107135	COVER - UPPER
76	6	PZ	26100379499	SCREW SOC. HD. HEX SOC. M5X12
77	1	PZ	78807645854	SUPPORT - RIGHT, BEARING
78	1	PZ	78807645862	SUPPORT - LEFT, BEARING
79	8	PZ	78803203823	SCREW-SOC.HEX HD.M5X16 ZINC.PL
80	2	PZ	78807651050	PULLEY ASS.Y - DRIVE
81	4	PZ	78805267131	RING - POLYURETHANE
82	2	PZ	78806084162	NUT - SPECIAL M20X1
83	1	PZ	78807646837	BRACKET
84	1	PZ	78807647025	GROMMET - HEYCO SB1093-13
85	2	PZ	78807015314	BELT - DRIVE, WITH HOOK
86	1	PZ	78809105444	COVER - UPPER, FRONT
87	4	PZ	78801790664	SCREW - METRIC, M5X12
88	1	PZ	78810011334	GUARD - BELT, R/H
89	1	PZ	78810011342	GUARD - BELT - L/H
90	8	PZ	78807646258	SCREW - SPECIAL M5X16
91	8	PZ	78810010427	WASHER - /15X6.35X2
92	1	PZ	78810008652	MOTOR - 200/220V, 50/60HZ
93	1	PZ	78805267180	MOTOR- 220/415V, 50HZ, 3-PHASE
94	1	PZ	78805267198	MOTOR - 260/440V - 50HZ 3PHASE
95	1	PZ	78804682678	MOTOR- 110/110V, 50/60HZ
96	1	PZ	78809106541	MOTOR - 125V 60HZ 1-PHASE
97	1	PZ	78804682686	MOTOR 1-PH, 220/240V. 50HZ
98	1	PZ	78807645904	MOTOR 220/240V 60HZ 1-PHASE
99	1	PZ	78807653726	FAN - MOTOR
100	1	PZ	78807651134	UNION
101	1	PZ	78811446018	GASKET - OR4067
102	4	PZ	78807645003	STUD - MOUNTING
103	1	PZ	78809107895	FRAME - R/H
104	1	PZ	78809107903	FRAME - L/H
105	1	PZ	78809105980	COVER - GEARBOX

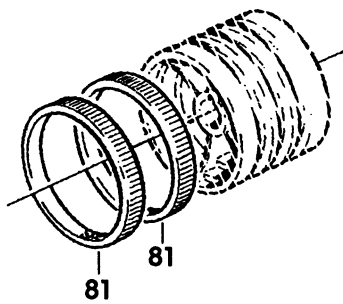
16 dicembre 2003

2003, december 16th

37



80



26 (DX)
27 (SX)

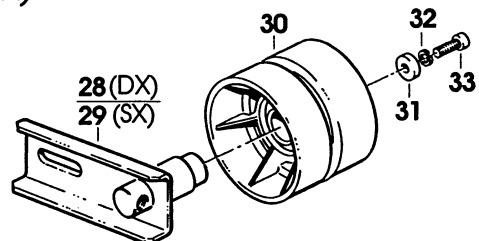


Fig. 10151 BANCALE 78811408554 700a-E/I-S ADJUSTABLE CASE SEALER TYPE 39600

Pos.	Q.tà	UM	3M Code	Description
1	1	PZ	78812964886	CONVEYOR BED ASSY
2	1	PZ	78812964894	BED - CONVEYOR
3	2	PZ	78809103076	SUPPORT - DRIVE
4	8	PZ	26100358428	SCREW HEX.HD.M8X20
5	12	PZ	78801793189	WASHER-PLAIN-METRIC 8MM
6	4	PZ	78807653817	LEG ASS.Y - INNER, W/ STOP
7	4	PZ	78807653825	LEG - INNER
8	4	PZ	78806084808	PAD - FOOT
9	4	PZ	78805508674	SCREW HEX HD. M8X30
10	4	PZ	78801793130	NUT SELF LOCKING M8 NICK.PL.
11	4	PZ	78807653833	STOP - LEG
12	12	PZ	26100379630	SCREW - SOC. HD. M8X16
13	4	PZ	78806084816	LABEL - HEIGHT
14	4	PZ	78805266778	CLAMP - INNER
15	4	PZ	78805266760	CLAMP - OUTER
16	1	PZ	78807653924	SUPPORT - TAPE DRUM
17	1	PZ	78806084832	SUPPORT-OUTBOARD ROLL MOUNT
18	1	PZ	78806084840	SHAFT - ROLLER
19	1	PZ	78806084857	ROLLER
20	1	PZ	78803203757	SCREW METRIC M6X16 HEX.HD.
21	5	PZ	26100000103	WASHER - FLAT M6
22	4	PZ	26100379572	SCREW SOC. HD. HEX HD. M6X16
23	2	PZ	78807646209	PLANE - CONVEYOR BED
24	4	PZ	78806084865	BUSHING
25	4	PZ	78802323341	SCREW-SOC.HD., HEX. SOC.M6X25
26	1	PZ	78812964902	PLATE
27	4	PZ	78801790664	SCREW - METRIC, M5X12
28	8	PZ	78801074176	NUT - METRIC, HEX STL. M5
29	2	PZ	78806084881	SCREW - HEX.HD. M5X20
30	4	PZ	78804682173	WASHER - SPECIAL
31	4	PZ	78800557411	WASHER - FLAT, M5
32	1	PZ	78807647017	CAP /28
33	4	PZ	78806080608	CASTER ASSY
34	4	PZ	78806080616	CASTER
35	4	PZ	78806081242	SPACER - CASTER
36	4	PZ	78806076994	WASHER /12-45,5X4
37	4	PZ	78801790599	WASHER-FLAT FOR M12 SCREW
38	4	PZ	78806075327	NUT M12 SELF-LOCKING

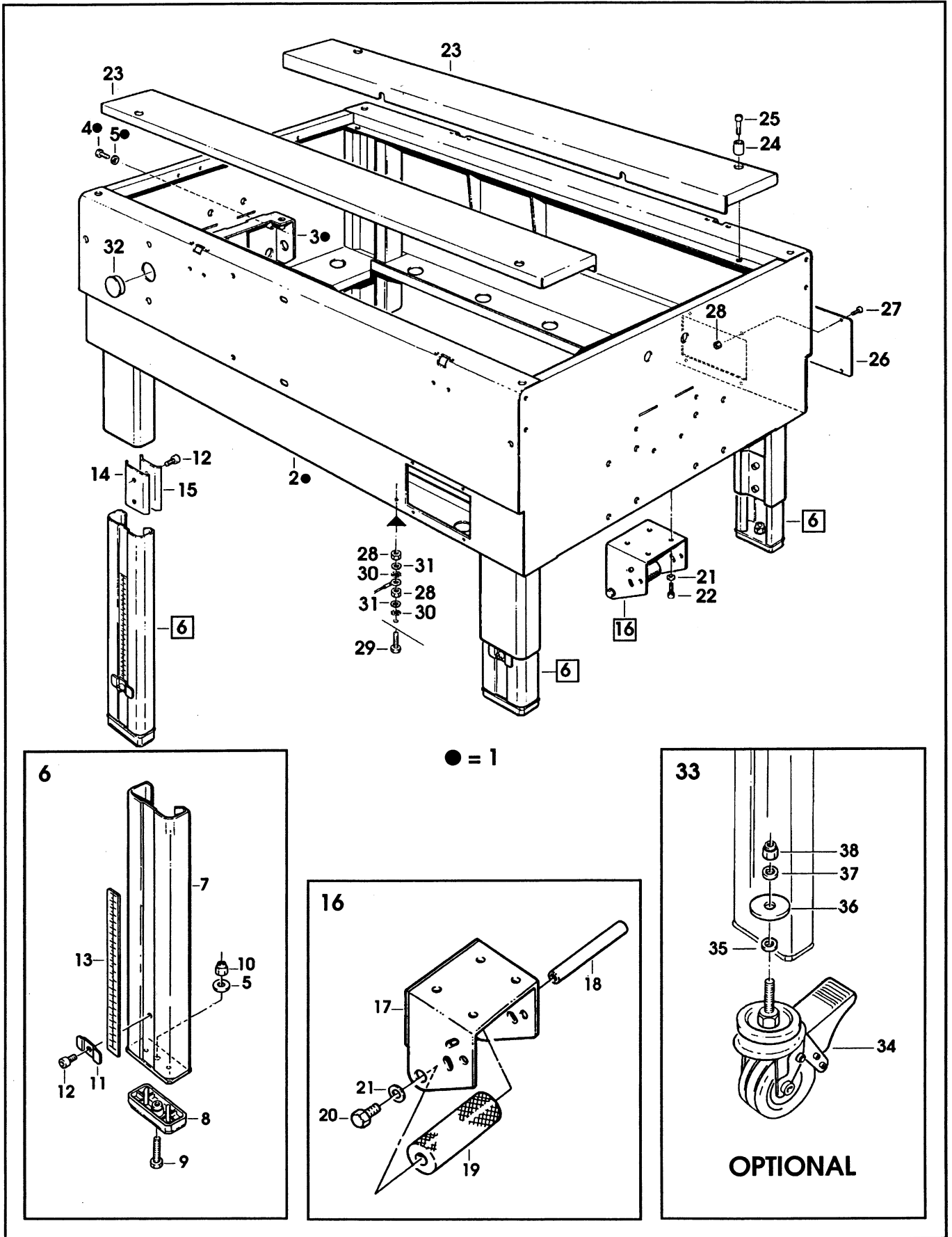
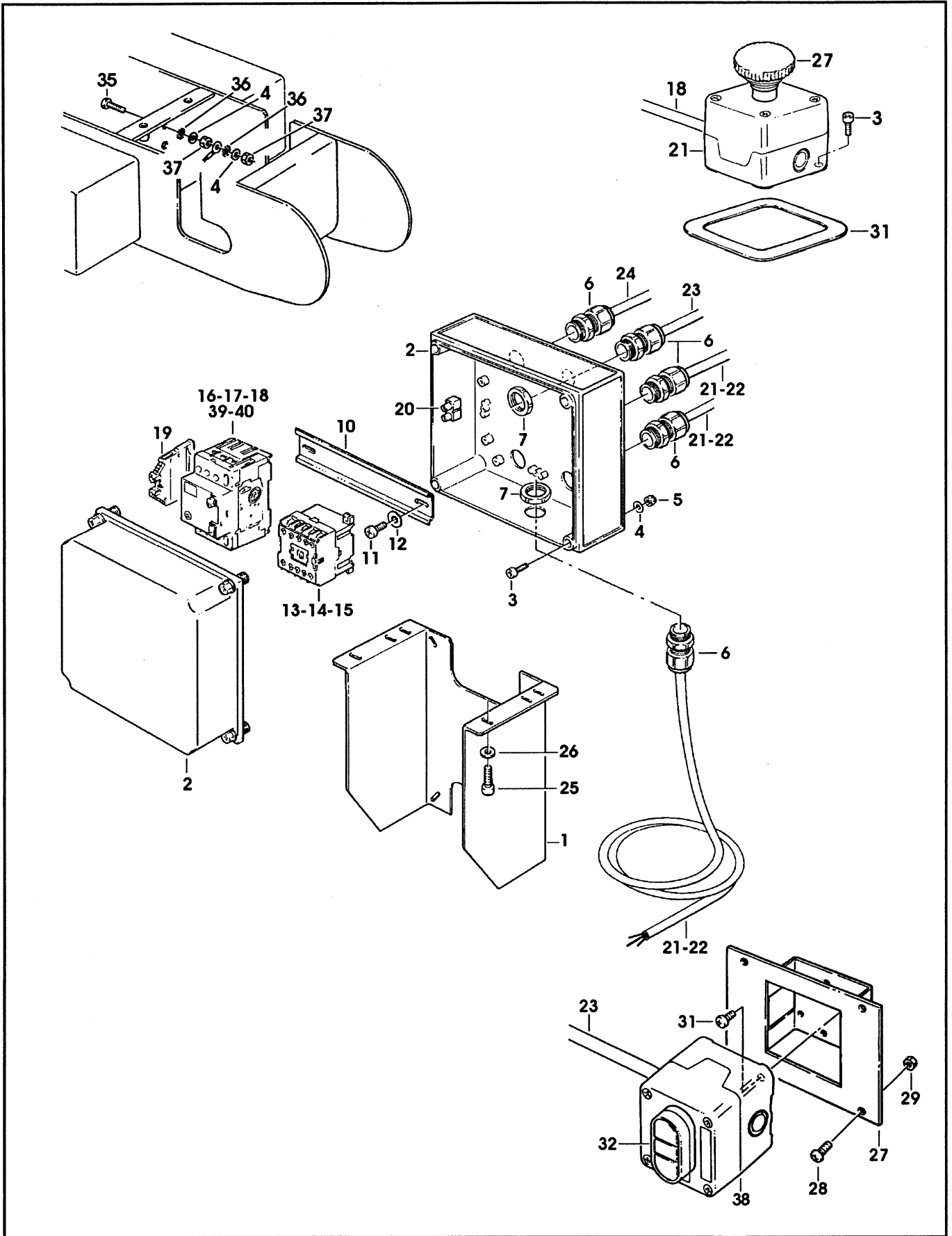


Fig. 10153 IMPIANTO ELETTRICO 78811408554 700a-E/I-S ADJUSTABLE CASE SEALER TYPE 39600

Pos.	Q.tà	UM	3M Code	Description
1	1	PZ	78809463793	SUPPORT - BOX
2	1	PZ	78809463801	BOX
3	6	PZ	78809463819	SCREW - SOC.HD, HEX.HD. M4X15
4	6	PZ	78800557403	WASHER PLAIN-METRIC 4MM NICK.
5	4	PZ	26100369144	NUT, PLASTIC INSERT M4
6	5	PZ	78807647157	CORD GRIP
7	5	PZ	78807652116	SET NUT GMP13.5
10	1	PZ	78809463827	GUIDE - MOUNTING
11	2	PZ	78802882080	SCREW - 6PX9,5
12	2	PZ	78801790185	WASHER-METRIC, PLAIN, M4 SPEC.
13	1	PZ	78810008306	CONTACTOR - CA4-5-10 220V 50HZ
14	1	PZ	78810008314	CONTACTOR - CA4-5-10 380V 50HZ
15	1	PZ	78809463835	CONTACTOR - SPRECHER+ SCHUH
16	1	PZ	78810007555	SWITCH - KTA 3-25, 2.5-4 A
17	1	PZ	78807653783	SWITCH - THERMAL, SPRECHER +
18	1	PZ	78811446000	SWITCH - THERMAL, KTA3-25
19	1	PZ	78809463843	CLAMP
20	0,08	PZ	78807649682	TERMINAL
21	2	PZ	78806080525	CABLE 4X1,5 5MT 3PH
22	2	PZ	78809104330	CABLE - 3X1.5 1-PHASE, 5 MT.
23	1	PZ	78807651761	CABLE FROR 07 3X0.75, 5 M.
24	1	PZ	78807652736	CABLE - 3X1, 5M
25	4	PZ	26100379572	SCREW SOC. HD. HEX HD. M6X16
26	4	PZ	26100000103	WASHER - FLAT M6
27	1	PZ	78812964910	SUPPORT - ON/OFF SWITCH
28	4	PZ	78801790664	SCREW - METRIC, M5X12
29	4	PZ	78801074176	NUT - METRIC, HEX STL. M5
30	1	PZ	78807651944	BOX - E-STOP, YELLOW
31	2	PZ	78801792579	SCREW-PHILLIS HEAD, M4X10
32	1	PZ	78809463868	SWITCH - ON/OFF, DM3N-C-01/10
33	1	PZ	26101458458	E-STOP - /40, W/ LATCH+CONTACT
34	1	PZ	78810012340	COLLAR
35	1	PZ	78809105386	SCREW - HEX.HD. M4X20
36	2	PZ	78807647165	STAR WASHER - M4
37	2	PZ	78801074168	NUT-METRIC, HEX, STEEL M4
38	1	PZ	78811448964	BOX - ON/OFF, GREY
39	1	PZ	78807652231	SWITCH - THERMAL, KTA 3-25
40	1	PZ	78811989652	SWITCH - KTA 3-25, 4-6.3 A.

16 dicembre 2003

2003, december 16th



700a-E/I-S

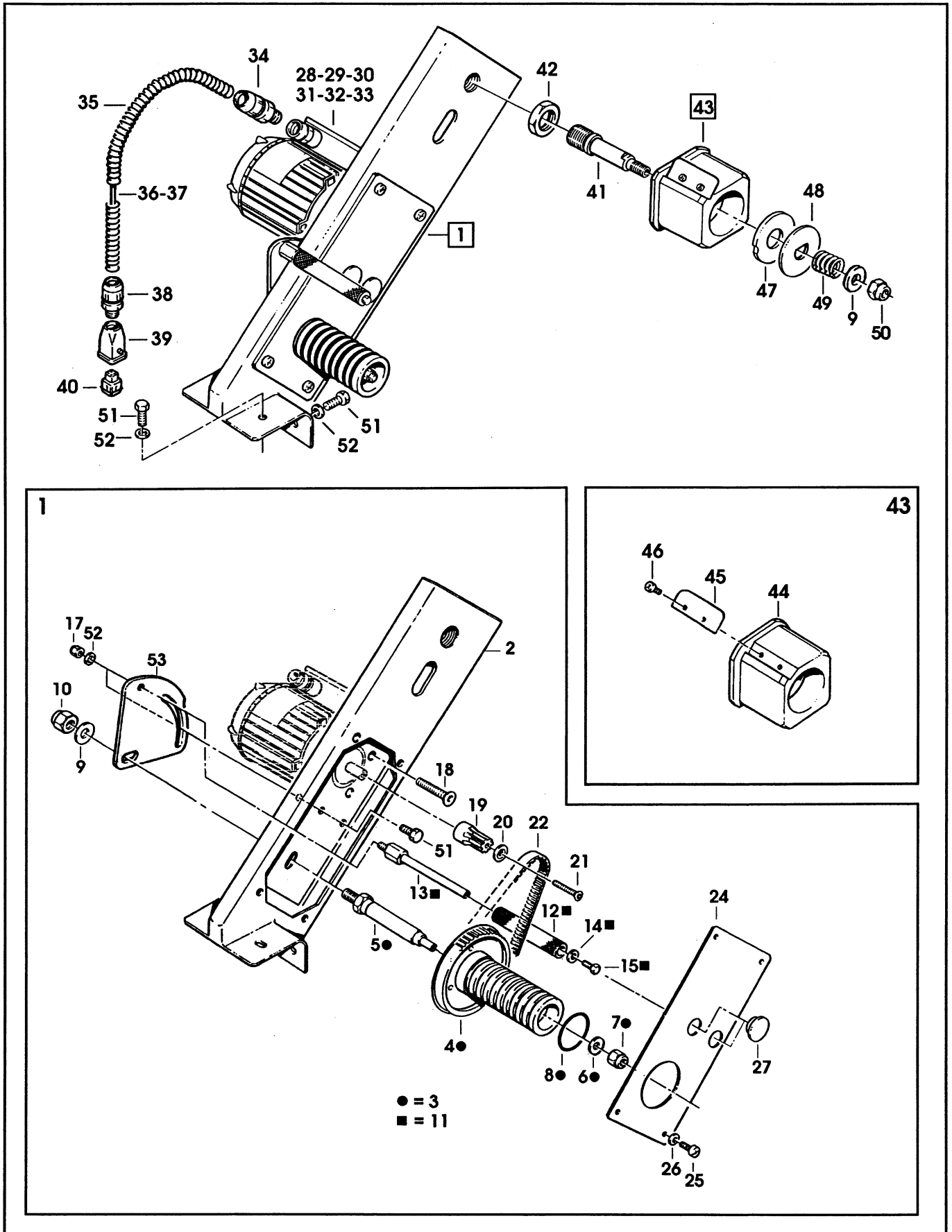
Dec. 2003

Fig. 10153

OPTIONAL

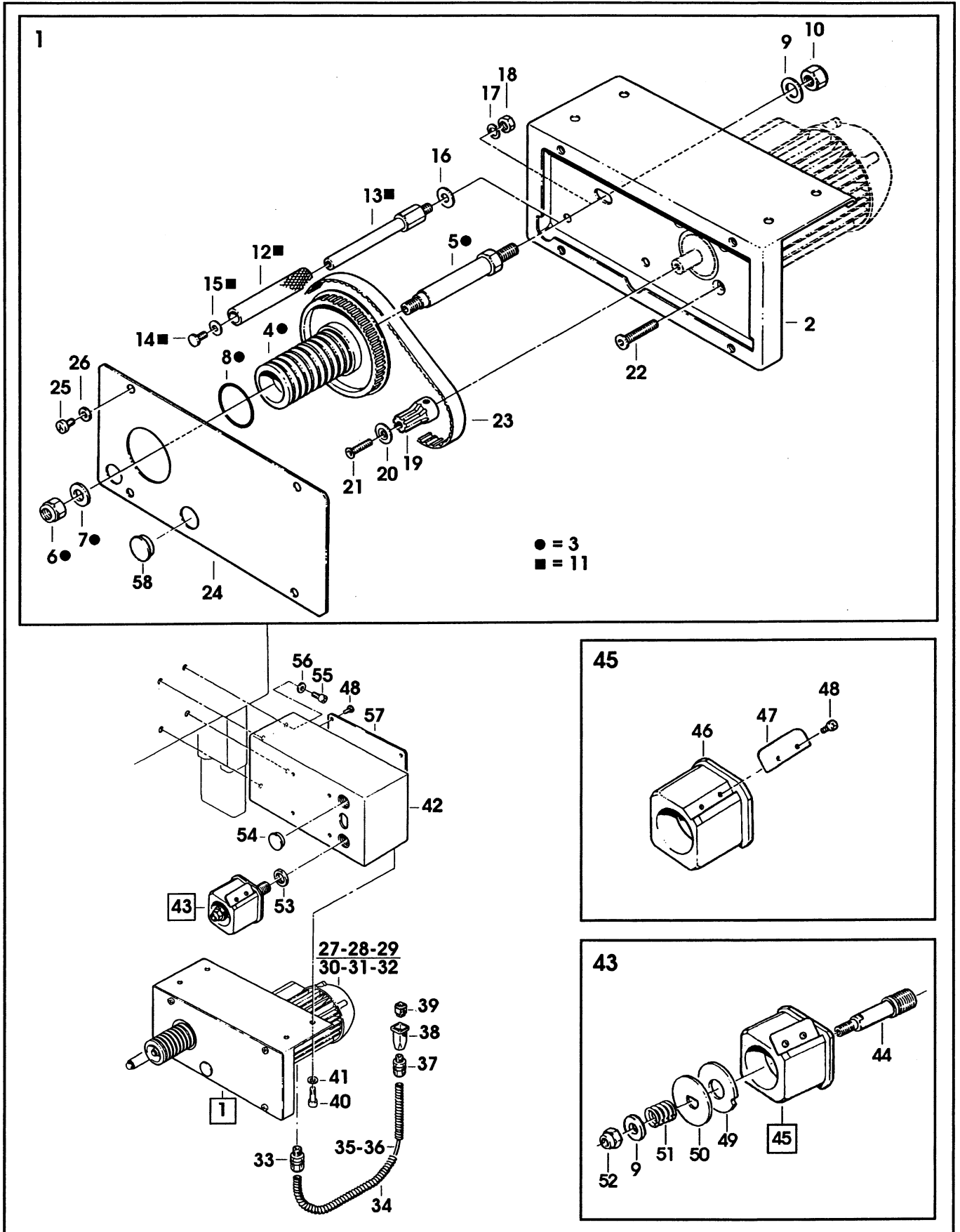
Fig. 3188 SVOLGITORE SUP.DX S7703315ZZZ AS32 SVOLGITORE SUP.DESTRO
78806939696 UPPER PRESTRIPPER ATTACHMENT RIGHT HAND, 700a-700r

Pos.	Q.tà	UM	3M Code	Description
1	1	PZ	78807650151	UPPER PRESTRIPPER ASSY W/O
2	1	PZ	78807650169	UPPER PRESTRIPPER, RIGHT
3	1	PZ	78807649971	UNWIND ROLLER
4	1	PZ	78807649989	PULLEY W/ ROLLER
5	1	PZ	78807649997	SHAFT - MOTOR
6	1	PZ	78807650003	WASHER 8.5/18X3
7	1	PZ	78801793130	NUT SELF LOCKING M8 NICK.PL.
8	10	PZ	78801791753	WASHER O-RING 138MM
9	2	PZ	26100455109	WASHER - PLAIN, M10
10	1	PZ	26100369185	NUT, PLASTIC INSERT M10 HEX
11	1	PZ	78807650011	ROLLER - KNURLED
12	1	PZ	78802878773	ROLLER ASSEMBLY-KNURLED
13	1	PZ	78802878765	SHAFT-KNURLED ROLLER
14	1	PZ	78801790185	WASHER-METRIC, PLAIN, M4 SPEC.
15	1	PZ	78801071578	SCREW-HEX.HD. M4X10
17	2	PZ	26100369169	NUT LOCKING PLASTIC INSERT M6
18	4	PZ	78807650029	SCREW - FLATHD. M6X40
19	1	PZ	78807650037	PULLEY PD10 XL37
20	1	PZ	78807650045	WASHER 4.5/20X1
21	1	PZ	78807650052	SCREW - FLATHD. M4X30
22	1	PZ	78806081408	TIMING BELT 160XL050
24	1	PZ	78807650078	COVER - UPPER PRESTRIPPER
25	4	PZ	78801790664	SCREW - METRIC, M5X12
26	4	PZ	78800557411	WASHER - FLAT, M5
27	2	PZ	78807645474	CAP
30	1	PZ	78807650102	MOTOR 260/440V 50HZ 3F
31	1	PZ	78807650110	MOTOR 115V 60HZ MF W/
35	1	PZ	78805489594	SLEEVING - WIRE
36	1	PZ	78806080525	CABLE 4X1,5 5MT 3PH
37	1	PZ	78809104330	CABLE - 3X1.5 1-PHASE, 5 MT.
38	2	PZ	78806076267	CONNECTOR
39	1	PZ	78806078776	PLUG HOUSING VERTICAL
40	1	PZ	78806078750	PLUG MALE
41	1	PZ	78811987508	STUD
42	1	PZ	78801791696	NUT-M18X1
43	1	PZ	78807015694	TAPE DRUM ASSY - 2" WIDE
44	1	PZ	78805267495	TAPE DRUM
45	1	PZ	78805262686	LEAF SPRING
46	2	PZ	26100257539	SCREW-SELF TAPPING, 7SPX8
47	1	PZ	78806081721	WASHER-FRICTION
48	1	PZ	78805262710	WASHER-TAPE DRUM
49	1	PZ	78810010484	SPRING - CORE HOLDER
50	1	PZ	78801790771	NUT - SELF-LOCKING M10X1
51	5	PZ	78803203757	SCREW METRIC M6X16 HEX.HD.
52	6	PZ	26100000103	WASHER - FLAT M6
53	1	PZ	78809106871	PLATE - ROLLER STOP
54	1	PZ	78809463611	MOTOR - 3PH, 220/440V, 50/60HZ
55	1	PZ	78809463637	MOTOR - 1PH, 220/240V, 50/60HZ



**Fig. 3189 SVOLGITORE INF.DX S7703503ZZZ AS38 SVOLGITORE INF.DESTRO
78806939704 LOWER PRESTRIPPER ATTACHMENT RIGHT**

Pos.	Q.tà	UM	3M Code	Description
1	1	PZ	78807650177	LOWER PRESTRIPPER ASSY W/O
2	1	PZ	78807650185	LOWER PRESTRIPPER, R/H
3	1	PZ	78807649971	UNWIND ROLLER
4	1	PZ	78807649989	PULLEY W/ ROLLER
5	1	PZ	78807649997	SHAFT - MOTOR
6	1	PZ	78801793130	NUT SELF LOCKING M8 NICK.PL.
7	1	PZ	78807650003	WASHER 8.5/18X3
8	10	PZ	78801791753	WASHER O-RING 138MM
9	2	PZ	26100455109	WASHER - PLAIN, M10
10	1	PZ	26100369185	NUT, PLASTIC INSERT M10 HEX
11	1	PZ	78807650011	ROLLER - KNURLED
12	1	PZ	78802878773	ROLLER ASSEMBLY-KNURLED
13	1	PZ	78802878765	SHAFT-KNURLED ROLLER
14	1	PZ	78801071578	SCREW-HEX.HD. M4X10
15	1	PZ	78801790185	WASHER-METRIC, PLAIN, M4 SPEC.
16	1	PZ	78804229199	WASHER - TRIPLE, M6
17	1	PZ	78801074358	WASHER METRIC LOCK,M6
18	1	PZ	78801074184	NUT - METRIC, HEX, STL., M6
19	1	PZ	78807650037	PULLEY PD10 XL37
20	1	PZ	78807650045	WASHER 4.5/20X1
21	1	PZ	78807650052	SCREW - FLATHD. M4X30
22	4	PZ	78807650029	SCREW - FLATHD. M6X40
23	1	PZ	78806081408	TIMING BELT 160XL050
24	1	PZ	78807650193	COVER - LOWER PRESTRIPPER
25	4	PZ	78801790664	SCREW - METRIC, M5X12
26	4	PZ	78800557411	WASHER - FLAT, M5
29	1	PZ	78807650102	MOTOR 260/440V 50HZ 3F
30	1	PZ	78807650110	MOTOR 115V 60HZ MF W/
34	1	PZ	78811449020	SLEEVE - /12, 1600 mm
35	1	PZ	78806080525	CABLE 4X1,5 5MT 3PH
36	1	PZ	78809104330	CABLE - 3X1.5 1-PHASE, 5 MT.
37	2	PZ	78806076267	CONNECTOR
38	1	PZ	78806078776	PLUG HOUSING VERTICAL
39	1	PZ	78806078750	PLUG MALE
40	4	PZ	26100379572	SCREW SOC. HD. HEX HD. M6X16
41	4	PZ	26100000103	WASHER - FLAT M6
42	1	PZ	78809106855	BOX - TAPE ROLL HOLDER
43	1	PZ	78806084741	TAPE DRUM ASS.Y 2" HEAD
44	1	PZ	78811987508	STUD
45	1	PZ	78807015694	TAPE DRUM ASSY - 2" WIDE
46	1	PZ	78805267495	TAPE DRUM
47	1	PZ	78805262686	LEAF SPRING
48	6	PZ	26100257539	SCREW-SELF TAPPING, 7SPX8
49	1	PZ	78806081721	WASHER-FRICTION
50	1	PZ	78805262710	WASHER-TAPE DRUM
51	1	PZ	78810010484	SPRING - CORE HOLDER
52	1	PZ	78801790771	NUT - SELF-LOCKING M10X1
53	1	PZ	78801791696	NUT-M18X1
54	1	PZ	78807647447	PLUG /17
55	4	PZ	26100379630	SCREW - SOC. HD. M8X16
56	4	PZ	78809103514	WASHER - EXTERNAL TAB, M8
57	1	PZ	78807647173	COVER - BOX
58	1	PZ	78807645474	CAP
59	1	PZ	78809463611	MOTOR - 3PH, 220/440V, 50/60HZ
60	1	PZ	78809463637	MOTOR - 1PH, 220/240V, 50/60HZ



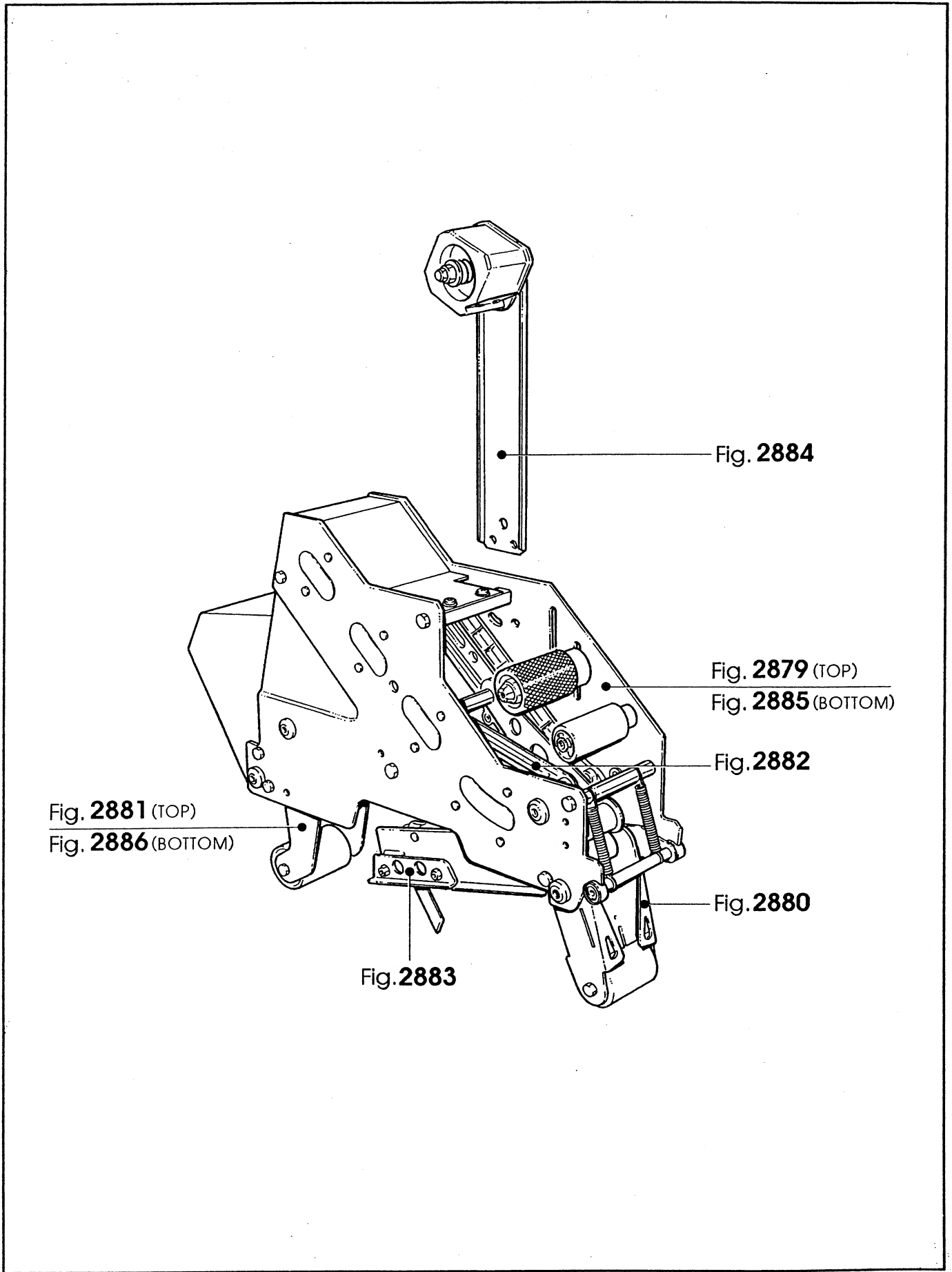
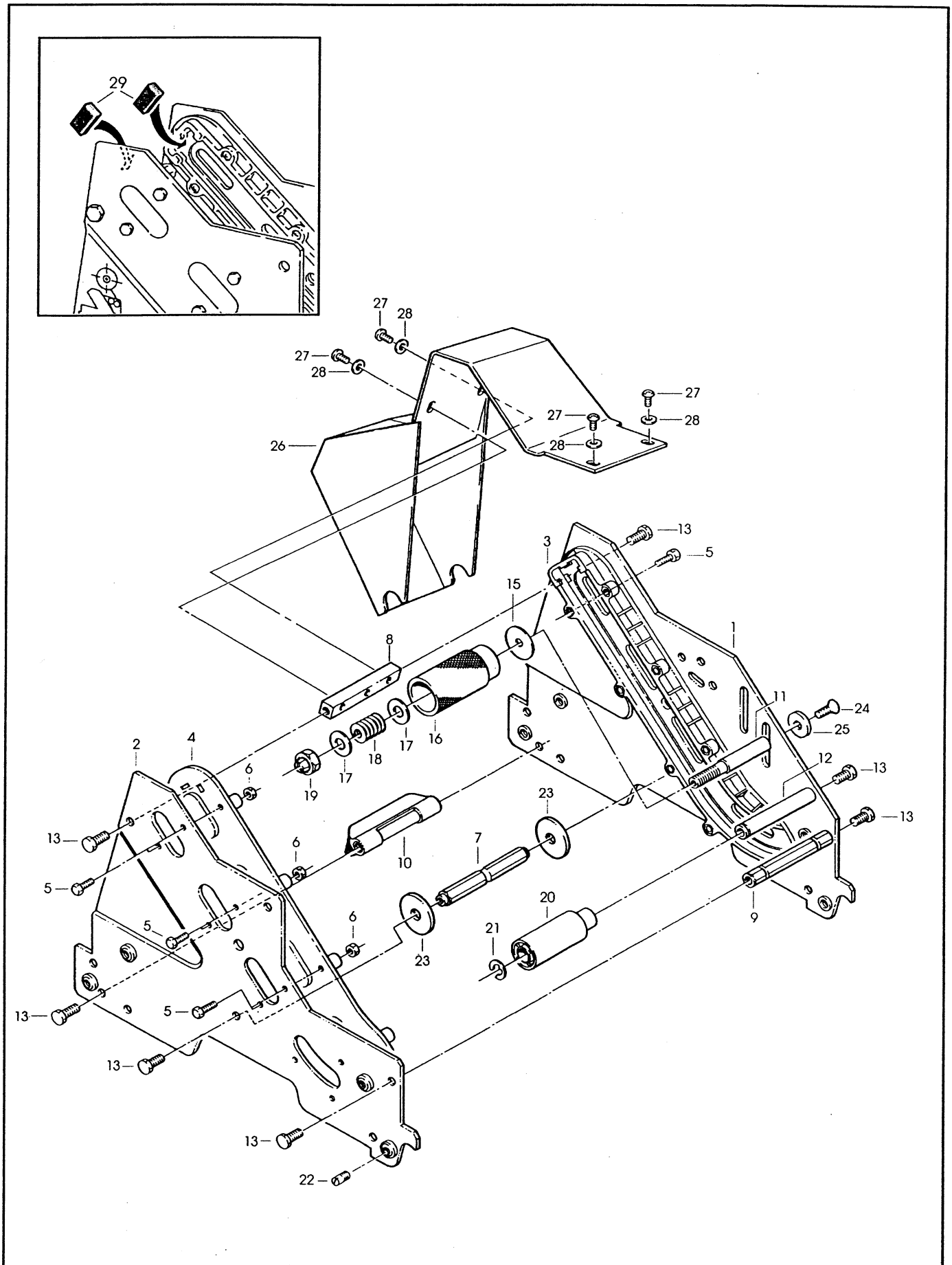


Figura	Descrizione figura	Magaz.	Codice	Descrizione
2879	GRUPPO SPALLE	0	78811408281	ACCUGLIDE II - 2", UPPER TYPE 39600

Posizione	Codice	Descrizione	U.M.	Quantita`
1	78807013863	FRAME - TAPE MOUNT UPPER ASS.Y	PZ	1
2	78807013871	FRAME - FRONT UPPER ASS.Y	PZ	1
3	78806841439	GUIDE - #1	PZ	1
4	78806841447	GUIDE - #2	PZ	1
5	83000273363	SCREW - HEX HD M4X14 ZINC.PL	PZ	18
6	78801074168	NUT-METRIC, HEX, STEEL M4	PZ	18
7	78807012519	SPACER - SPRING	PZ	1
8	78805487648	SPACER - 10X10X90MM	PZ	1
9	78805265606	SPACER - FRONT	PZ	1
10	78806079360	BRUSH ASSY	PZ	1
11	78805265648	SHAFT - TENSION ROLLER	PZ	1
12	78805265689	SHAFT - WRAP ROLLER	PZ	1
13	26100358295	SCREW HEX.HD.M6X12	PZ	9
15	78810010096	WASHER - SPECIAL	PZ	1
16	78805265655	ROLLER - TOP TENSION	PZ	1
17	26100455109	WASHER - PLAIN, M10	PZ	2
18	78805265671	SPRING - COMPRESSION	PZ	1
19	78801790771	NUT - SELF-LOCKING M10X1	PZ	1
20	78805265697	ROLLER - WRAP	PZ	1
21	26100016133	RING - RETAINING 10DIN6799	PZ	1
22	78807645003	STUD - MOUNTING	PZ	4
23	78807652421	STOP - CUTOFF FRAME	PZ	2
24	78806081796	SCREW-FLAT HD HEX M6X20	PZ	1
25	78807654773	WASHER - SPECIAL /6.5X20X4	PZ	1
26	78810010476	GUARD-HEAD	PZ	1
27	78801790664	SCREW - METRIC, M5X12	PZ	4
28	78800557411	WASHER - FLAT, M5	PZ	4
29	78807647348	BUMPER	PZ	2

==== Data 27/05/2003 =====



K13-3M (TOP)

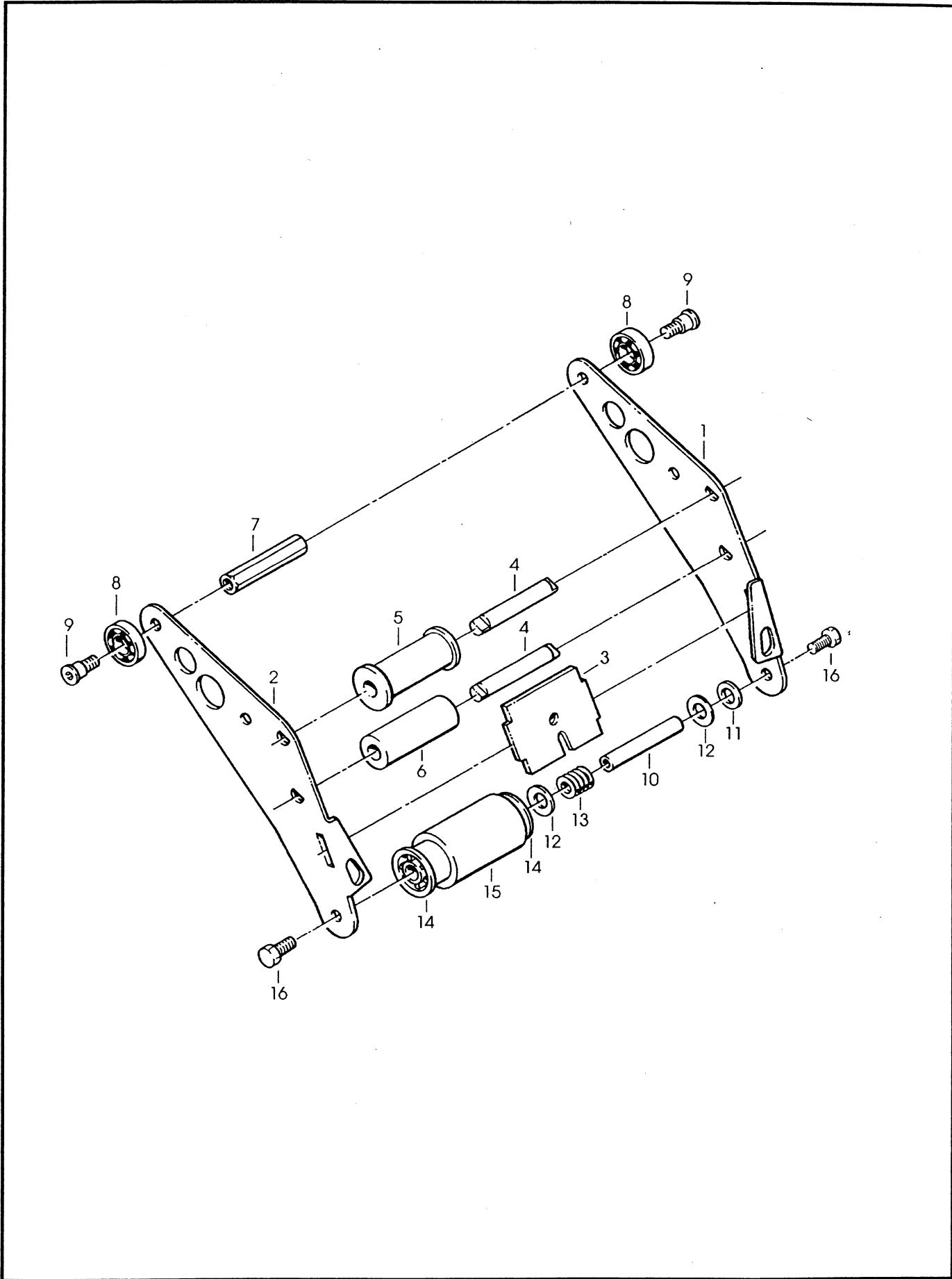
Ott. 96

Fig. 2879

Figura	Descrizione figura	Magaz.	Codice	Descrizione
2880	GRUPPO ENTRATA	0	78811408281	ACCUGLIDE II - 2", UPPER TYPE 39600

Posizione	Codice	Descrizione	U.M.	Quantita'
1	78807012063	ARM - APPLYING, R/H	PZ	1
2	78807012071	ARM - APPLYING, L/H	PZ	1
3	78807012212	PLATE - TAPE	PZ	1
4	78807013095	SHAFT - ROLLER	PZ	2
5	78807013673	ROLLER - KNURLED ASS'Y	PZ	1
6	78807012667	ROLLER - WRAP	PZ	1
7	78805265804	SPACER - REAR	PZ	1
8	78801790821	BEARING-SPECIAL 30MM	PZ	2
9	78801791068	SCREW-BEARING SHOULDER	PZ	2
10	78805265754	SHAFT - 10x60 W/HEXAGON	PZ	1
11	78801790748	WASHER-NYLON 15MM	PZ	1
12	78805265663	WASHER - FRICTION	PZ	2
13	78805265671	SPRING - COMPRESSION	PZ	1
14	78806083958	BUSHING-APPLYING ROLLER	PZ	1
15	78805761794	ROLLER - APPLYING	PZ	1
16	26100358295	SCREW HEX.HD.M6X12	PZ	2

Data 29/01/98



K13-3M

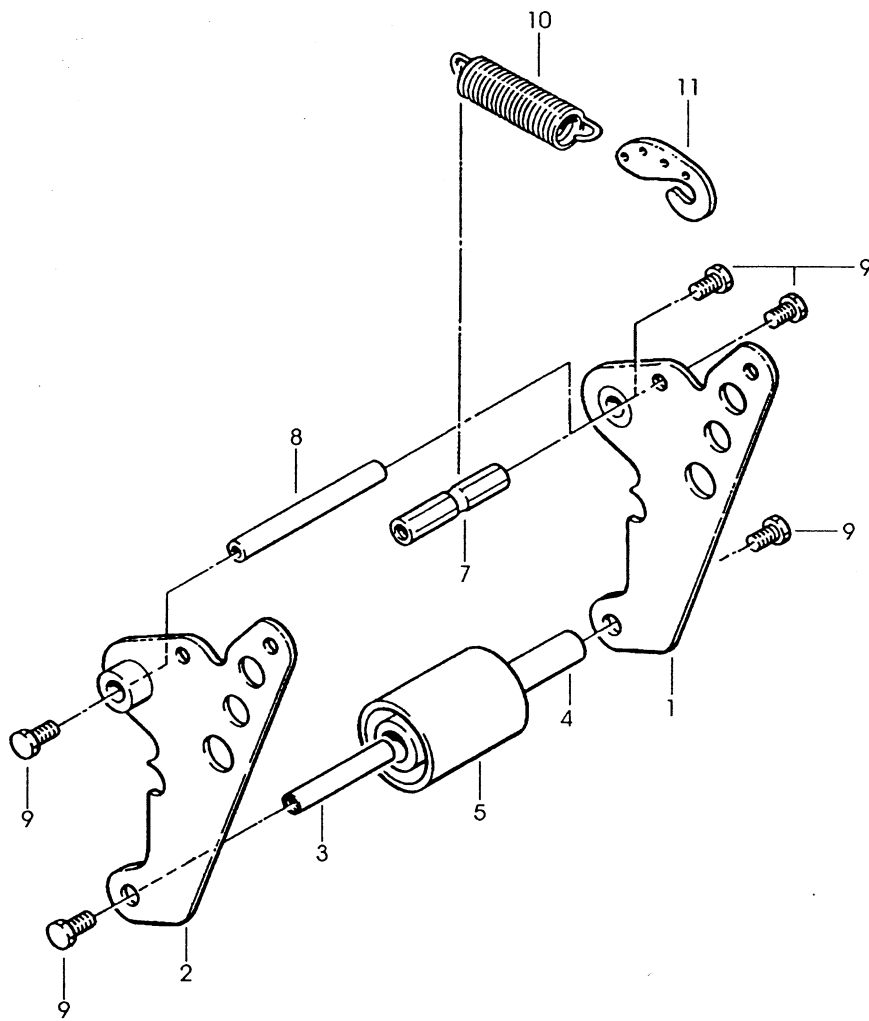
Giu. 96

Fig.2880

Figura	Descrizione figura	Magaz.	Codice	Descrizione
2881	GRUPPO USCITA	0	000000K13TB	ACCUGLIDE HEAD 2" K13 TOP TYPE B

Posizione	Codice	Descrizione	U.M.	Quantita'
1	78807013921	BUFFING ARM SUB ASS.Y	PZ	1
2	78807013913	BUFFING ARM SUB ASSY	PZ	1
3	78805265754	SHAFT - ROLLER, 10X60	PZ	1
4	78805265861	BUSHING - BUFFING ROLLER	PZ	1
5	78805761786	ROLLER - BUFFING NM	PZ	1
7	78807012204	SPACER - SPRING	PZ	1
8	78801791092	SHAFT-10X90MM	PZ	1
9	26100358295	SCREW HEX.HD.M6X12	PZ	6
10	78807012741	SPRING - UPPER	PZ	1
11	78807012444	HOLDER - SPRING	PZ	1

=====
===== Data 04/07/96



K13-3M (TOP)

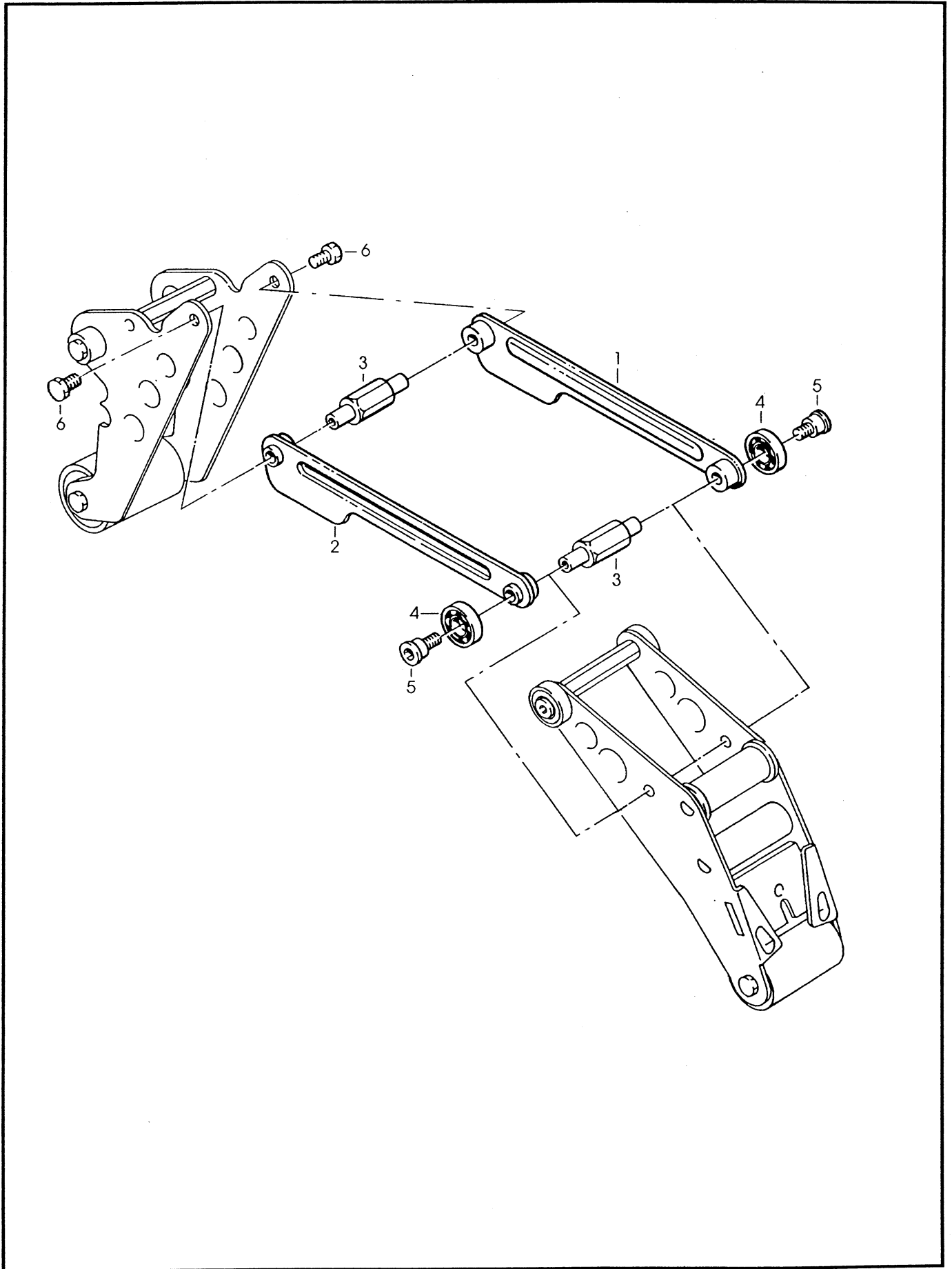
Giu. 96

Fig.2881

Figura	Descrizione figura	Magaz.	Codice	Descrizione
2882	GRUPPO LEVE	0	000000K13TB	ACCUGLIDE HEAD 2" K13 TOP TYPE B

Posizione	Codice	Descrizione	U.M.	Quantita'
1	78807013889	LINK - ARM BUSHING ASS.Y	PZ	1
2	78807013897	LINK - ARM BUSHING ASS.Y	PZ	1
3	78807012717	SHAFT - PIVOT	PZ	2
4	78801790821	BEARING-SPECIAL 30MM	PZ	2
5	78801791068	SCREW-BEARING SHOULDER	PZ	2
6	26100358287	SCREW - SPEC., HEX. HD. M6X10	PZ	2

=====
===== Data 04/07/9



K13-3M

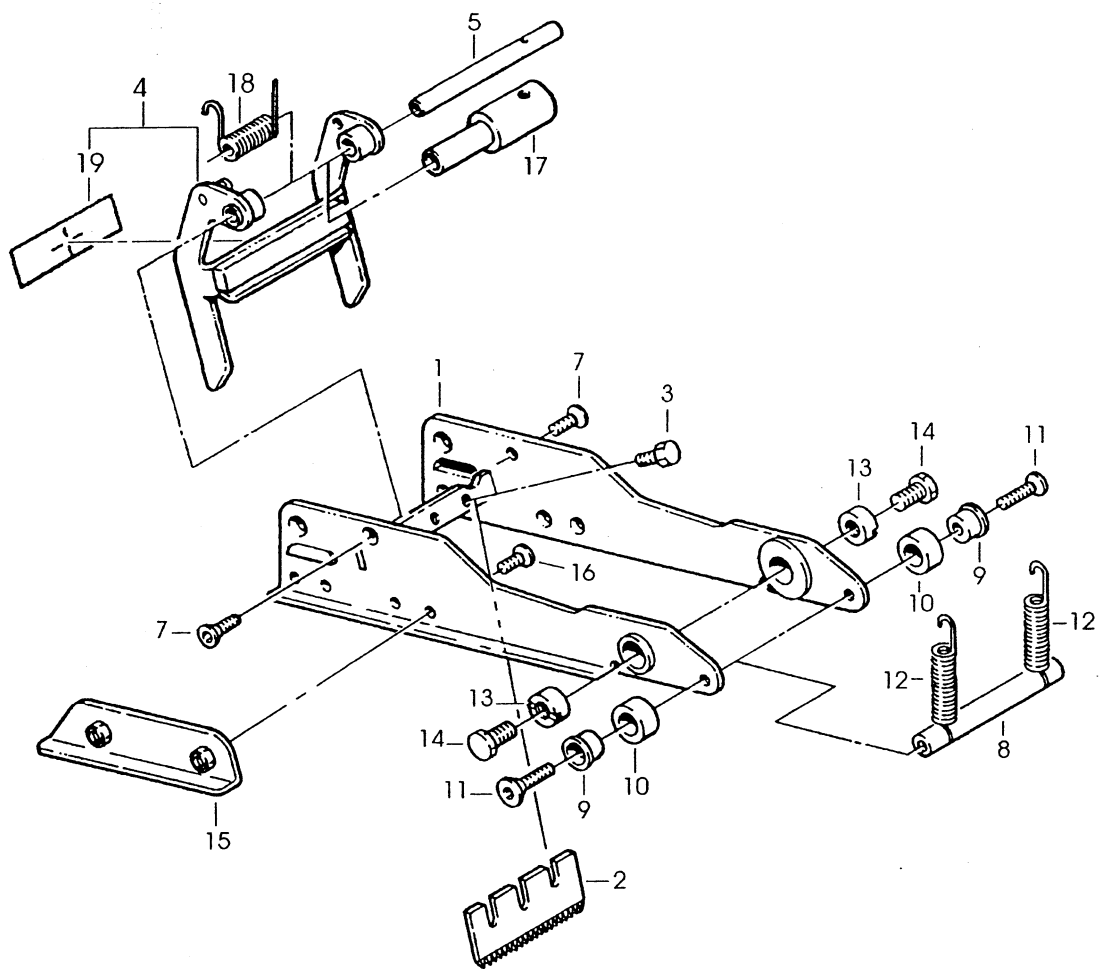
Lug. 96

Fig.2882

Figura	Descrizione figura	Magaz.	Codice	Descrizione
2883	GRUPPO PORTALAMA	0	78811408299	ACCUGLIDE II - 2", LOWER TYPE 39600

Posizione	Codice	Descrizione	U.M.	Quantita'
1	78807012170	FRAME - CUTOFF WELDMENT	PZ	1
2	78801791738	KNIFE - 65mm/2.56 Inch	PZ	1
3	26100258172	SCREW - HEX HD M5X8 ZINC.PL	PZ	2
4	78807013715	GUARD - BLADE ASS'Y	PZ	1
5	78805265978	SHAFT-BLADE GUARD	PZ	1
7	26100547582	SCREW - FLAT HD, SOC.DR. M4X10	PZ	2
8	78801791357	SHAFT - SPACER	PZ	1
9	78805266000	SPACER	PZ	2
10	78807012691	BUMPER	PZ	2
11	26100547574	SCREW - FLAT HD, SOC.DR. M5X20	PZ	2
12	78805266026	SPRING - CUTTER	PZ	2
13	78801791324	PIVOT-CUTTER LEVER	PZ	2
14	26100358287	SCREW - SPEC., HEX. HD. M6X10	PZ	2
15	78807012162	SLIDE - EXTENSION	PZ	2
16	26100865745	SCREW - FLAT HD, PHIL.DR.M4X10	PZ	4
17	78811370317	BUSHING - 59.5 mm LONG	PZ	1
18	78811370309	SPRING - TORSION	PZ	1
19	78807013350	LABEL - WARNING, SHARP KNIFE	PZ	1

Data 25/03/98



K13-3M

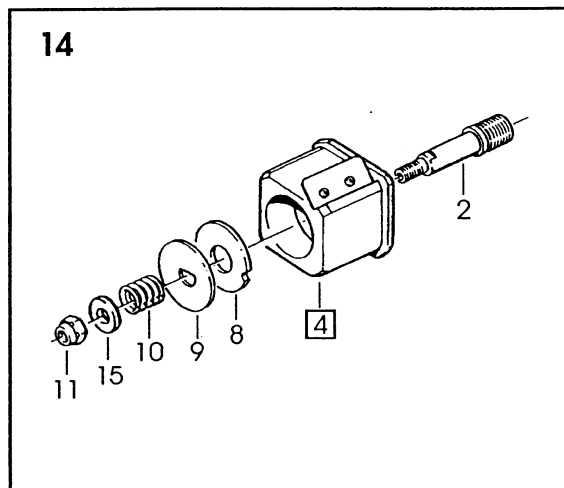
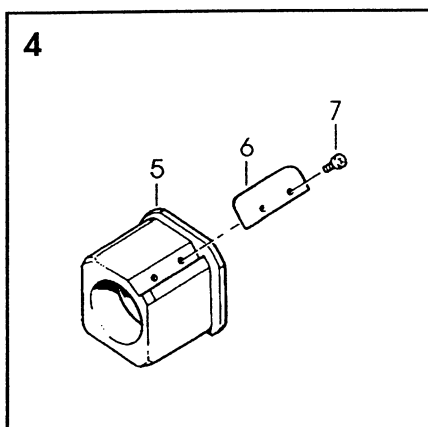
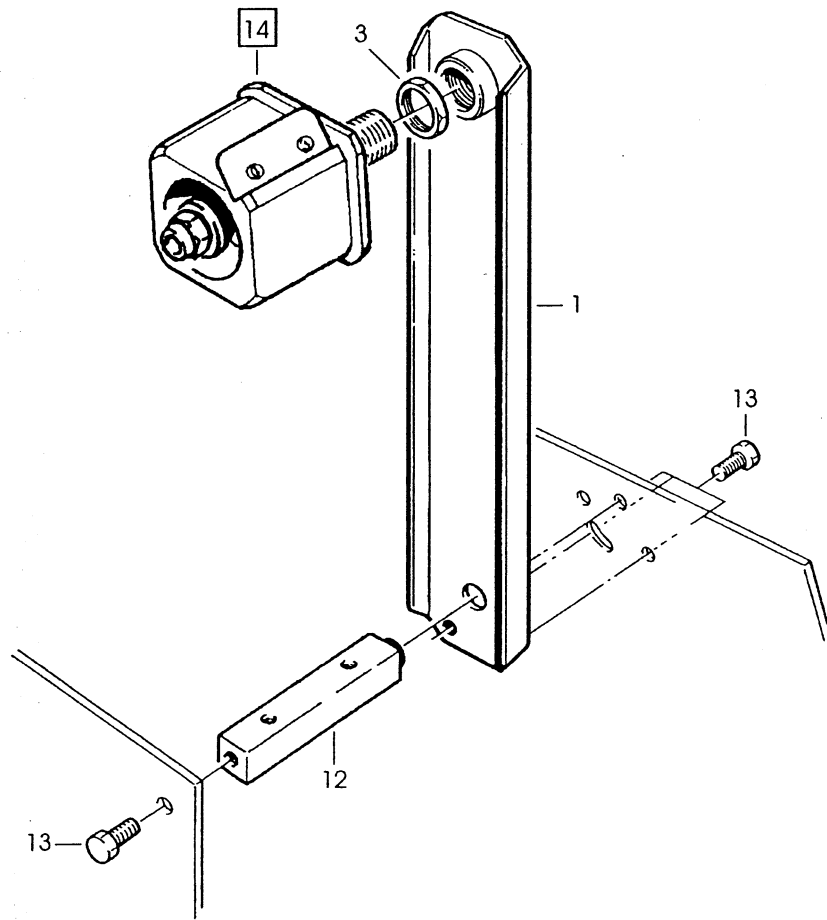
Mar. 98

Fig. 2883

Figura	Descrizione figura	Magaz.	Codice	Descrizione
2884	GRUPPO PORTAROTOLO	0	000000K13TB	ACCUGLIDE HEAD 2" K13 TOP TYPE B

Posizione	Codice	Descrizione	U.M.	Quantita'
1	78807013954	BRACKET - BUSHING ASS.Y	PZ	1
2	78807645193	SHAFT - TAPE DRUM	PZ	1
3	78801791696	NUT-M18X1	PZ	1
4	78807015694	TAPE DRUM ASSY - 2" WIDE	PZ	1
5	78805267495	TAPE DRUM	PZ	1
6	78805262686	LEAF SPRING	PZ	1
7	26100257539	SCREW-SELF TAPPING	PZ	2
8	78806081721	WASHER-FRICTION	PZ	1
9	78805262710	WASHER-TAPE DRUM	PZ	1
10	78810010484	SPRING - CORE HOLDER	PZ	1
11	78801790771	NUT - SELF-LOCKING M10X1	PZ	1
12	78810010468	SPACER - BRACKET	PZ	1
13	26100358295	SCREW HEX.HD.M6X12	PZ	4
14	78806084741	TAPE DRUM ASS.Y 2" HEAD W/O BRACKET/LOCK PLATE	PZ	1
15	26100455109	WASHER - PLAIN, M10	PZ	1

=====
===== Data 09/07/90



K13-3M

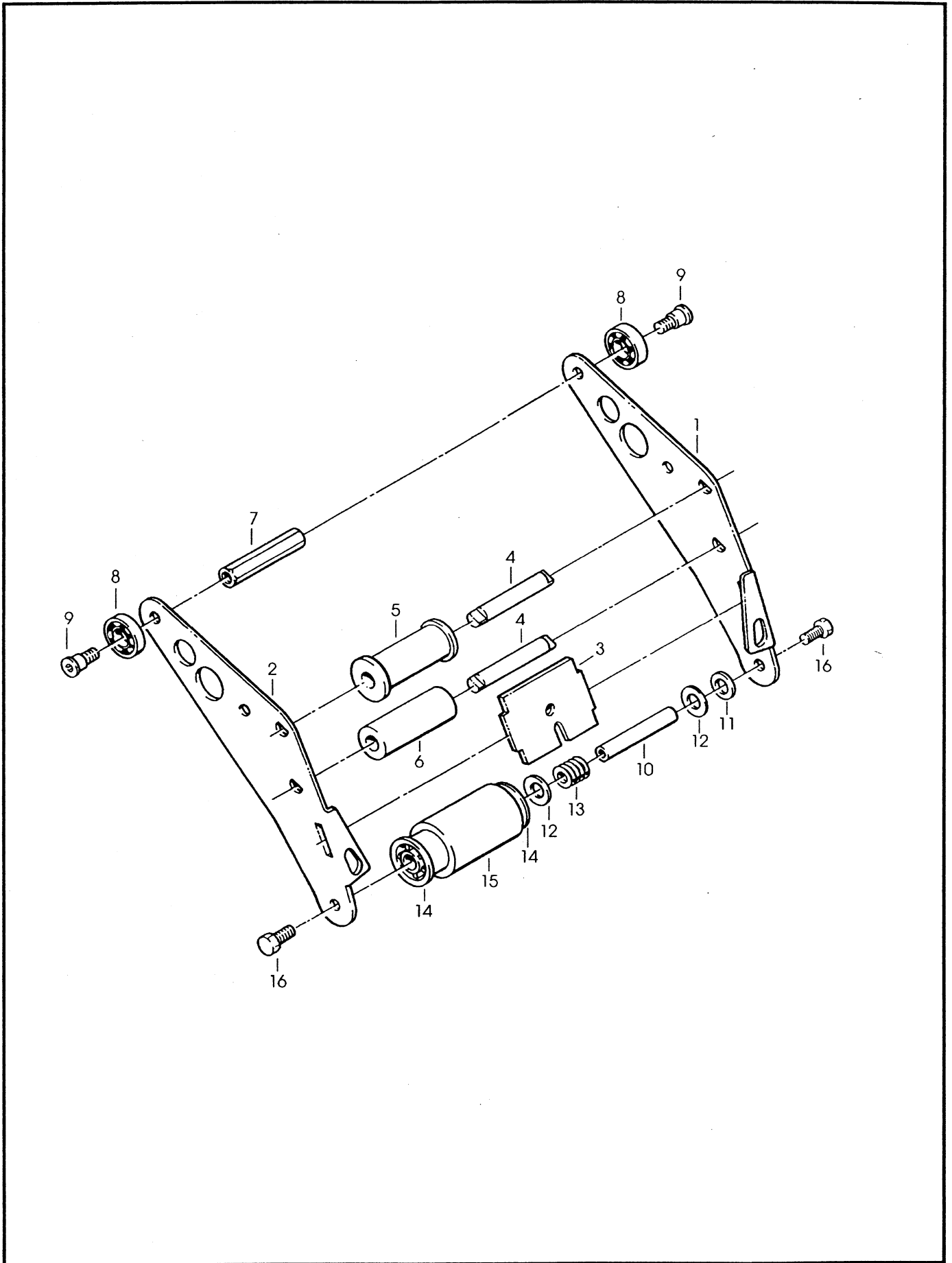
Lug. 96

Fig. 2884

Figura	Descrizione figura	Magaz.	Codice	Descrizione
2880	GRUPPO ENTRATA	0	78811408299	ACCUGLIDE II - 2", LOWER TYPE 39600

Posizione	Codice	Descrizione	U.M.	Quantita'
1	78807012063	ARM - APPLYING, R/H	PZ	1
2	78807012071	ARM - APPLYING, L/H	PZ	1
3	78807012212	PLATE - TAPE	PZ	1
4	78807013095	SHAFT - ROLLER	PZ	2
5	78807013673	ROLLER - KNURLED ASS'Y	PZ	1
6	78807012667	ROLLER - WRAP	PZ	1
7	78805265804	SPACER - REAR	PZ	1
8	78801790821	BEARING-SPECIAL 30MM	PZ	2
9	78801791068	SCREW-BEARING SHOULDER	PZ	2
10	78805265754	SHAFT - 10x60 W/HEXAGON	PZ	1
11	78801790748	WASHER-NYLON 15MM	PZ	1
12	78805265663	WASHER - FRICTION	PZ	2
13	78805265671	SPRING - COMPRESSION	PZ	1
14	78806083958	BUSHING-APPLYING ROLLER	PZ	1
15	78805761794	ROLLER - APPLYING	PZ	1
16	26100358295	SCREW HEX.HD.M6X12	PZ	2

Data 29/01/98



K13-3M

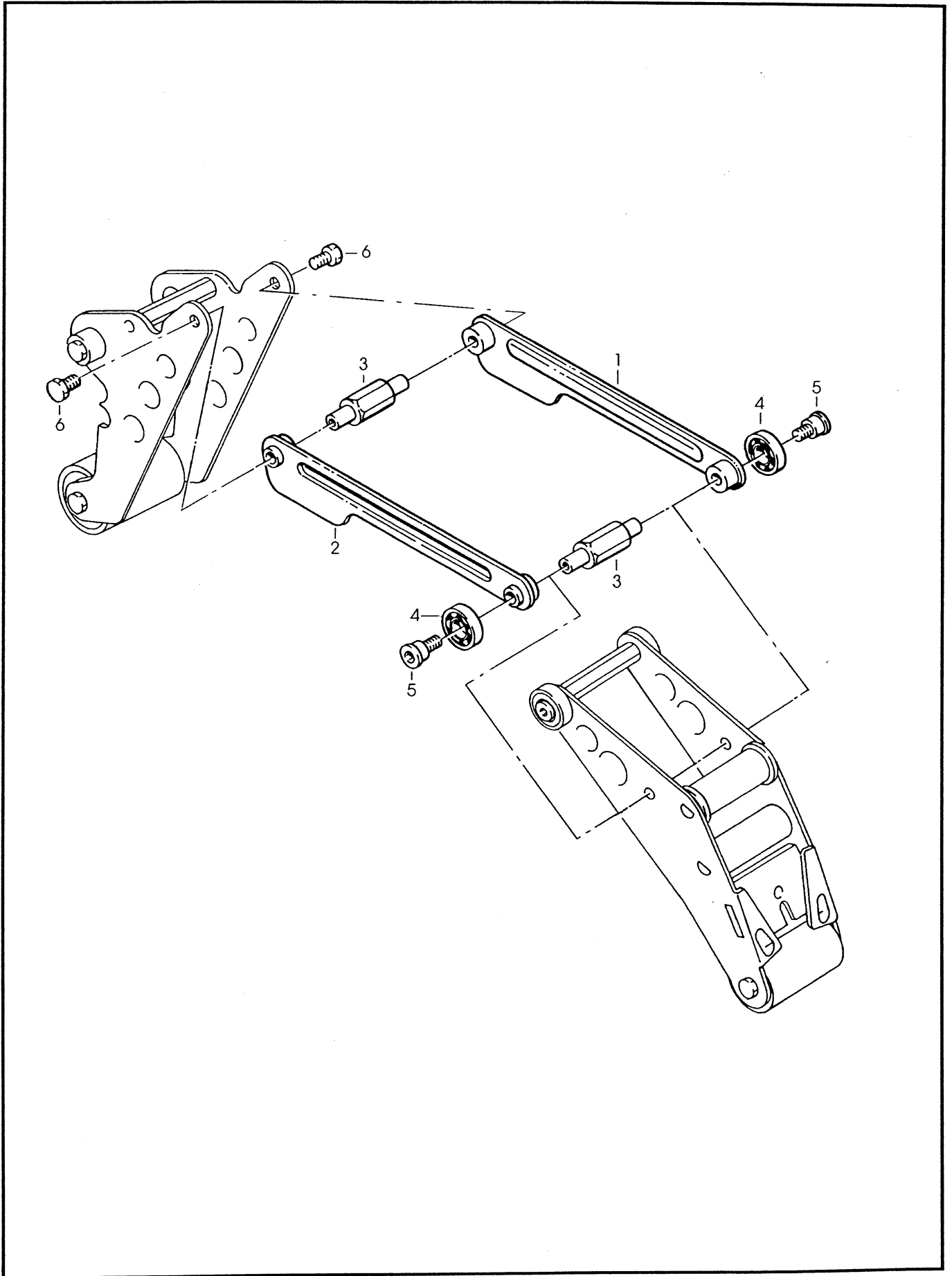
Giu. 96

Fig.2880

Figura	Descrizione figura	Magaz.	Codice	Descrizione
2882	GRUPPO LEVE	0	000000K13BB	ACCUGLIDE HEAD 2" K13 BOTTOM TYPE B

Posizione	Codice	Descrizione	U.M.	Quantita'
1	78807013889	LINK - ARM BUSHING ASS.Y	PZ	1
2	78807013897	LINK - ARM BUSHING ASS.Y	PZ	1
3	78807012717	SHAFT - PIVOT	PZ	2
4	78801790821	BEARING-SPECIAL 30MM	PZ	2
5	78801791068	SCREW-BEARING SHOULDER	PZ	2
6	26100358287	SCREW - SPEC., HEX. HD. M6X10	PZ	2

=====
 ===== Data 04/07/96



K13-3M

Lug. 96

Fig. 2882

Figura	Descrizione figura	Magaz.	Codice	Descrizione
2883	GRUPPO PORTALAMA	0	78811408281	ACCUGLIDE II - 2", UPPER TYPE 39600

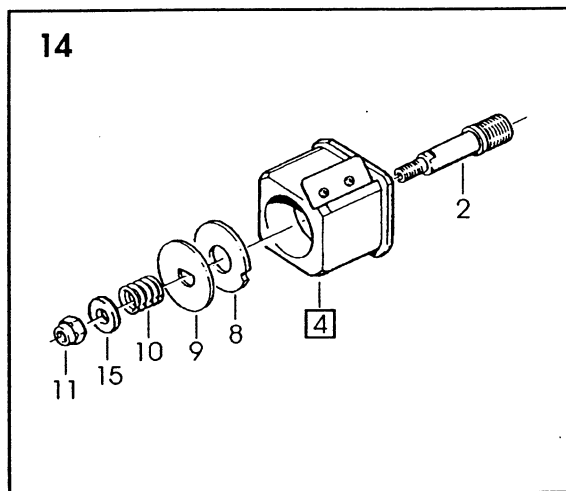
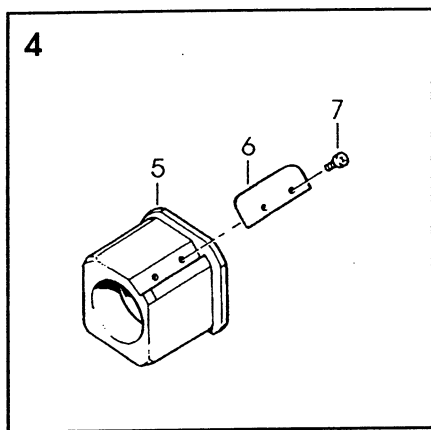
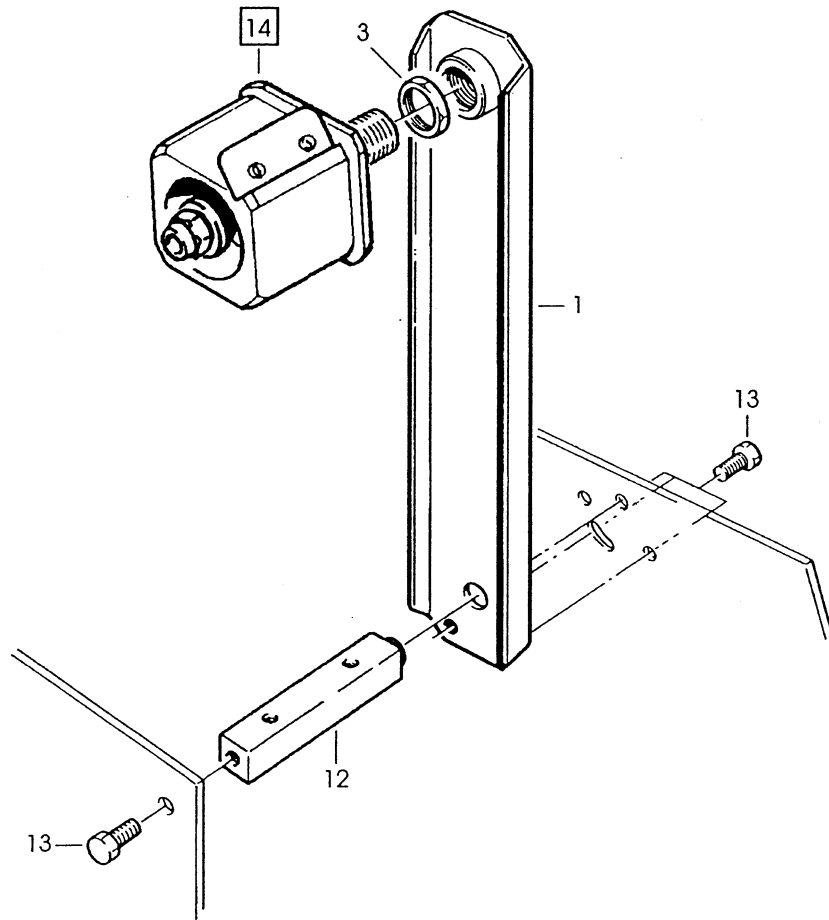
Posizione	Codice	Descrizione	U.M.	Quantita'
1	78807012170	FRAME - CUTOFF WELDMENT	PZ	1
2	78801791738	KNIFE - 65mm/2.56 Inch	PZ	1
3	26100258172	SCREW - HEX HD M5X8 ZINC.PL	PZ	2
4	78807013715	GUARD - BLADE ASS'Y	PZ	1
5	78805265978	SHAFT-BLADE GUARD	PZ	1
7	26100547582	SCREW - FLAT HD, SOC.DR. M4X10	PZ	2
8	78801791357	SHAFT - SPACER	PZ	1
9	78805266000	SPACER	PZ	2
10	78807012691	BUMPER	PZ	2
11	26100547574	SCREW - FLAT HD, SOC.DR. M5X20	PZ	2
12	78805266026	SPRING - CUTTER	PZ	2
13	78801791324	PIVOT-CUTTER LEVER	PZ	2
14	26100358287	SCREW - SPEC., HEX. HD. M6X10	PZ	2
15	78807012162	SLIDE - EXTENSION	PZ	2
16	26100865745	SCREW - FLAT HD, PHIL.DR.M4X10	PZ	4
17	78811370317	BUSHING - 59.5 mm LONG	PZ	1
18	78811370309	SPRING - TORSION	PZ	1
19	78807013350	LABEL - WARNING, SHARP KNIFE	PZ	1

Data 25/03/98

Figura	Descrizione figura	Magaz.	Codice	Descrizione
2884	GRUPPO PORTAROTOLO	0	000000K138B	ACCUGLIDE HEAD 2" K13 BOTTOM TYPE B

Posizione	Codice	Descrizione	U.M.	Quantita'
1	78807013954	BRACKET - BUSHING ASS.Y	PZ	1
2	78807645193	SHAFT - TAPE DRUM	PZ	1
3	78801791696	NUT-M18X1	PZ	1
4	78807015694	TAPE DRUM ASSY - 2" WIDE	PZ	1
5	78805267495	TAPE DRUM	PZ	1
6	78805262686	LEAF SPRING	PZ	1
7	26100257539	SCREW-SELF TAPPING	PZ	2
8	78806081721	WASHER-FRICTION	PZ	1
9	78805262710	WASHER-TAPE DRUM	PZ	1
10	78810010484	SPRING - CORE HOLDER	PZ	1
11	78801790771	NUT - SELF-LOCKING M10X1	PZ	1
12	78810010468	SPACER - BRACKET	PZ	1
13	26100358295	SCREW HEX.HD.M6X12	PZ	4
14	78806084741	TAPE DRUM ASS.Y 2" HEAD W/O BRACKET/LOCK PLATE	PZ	1
15	26100455109	WASHER - PLAIN, M10	PZ	1

=====
Data 09/07/96



K13-3M

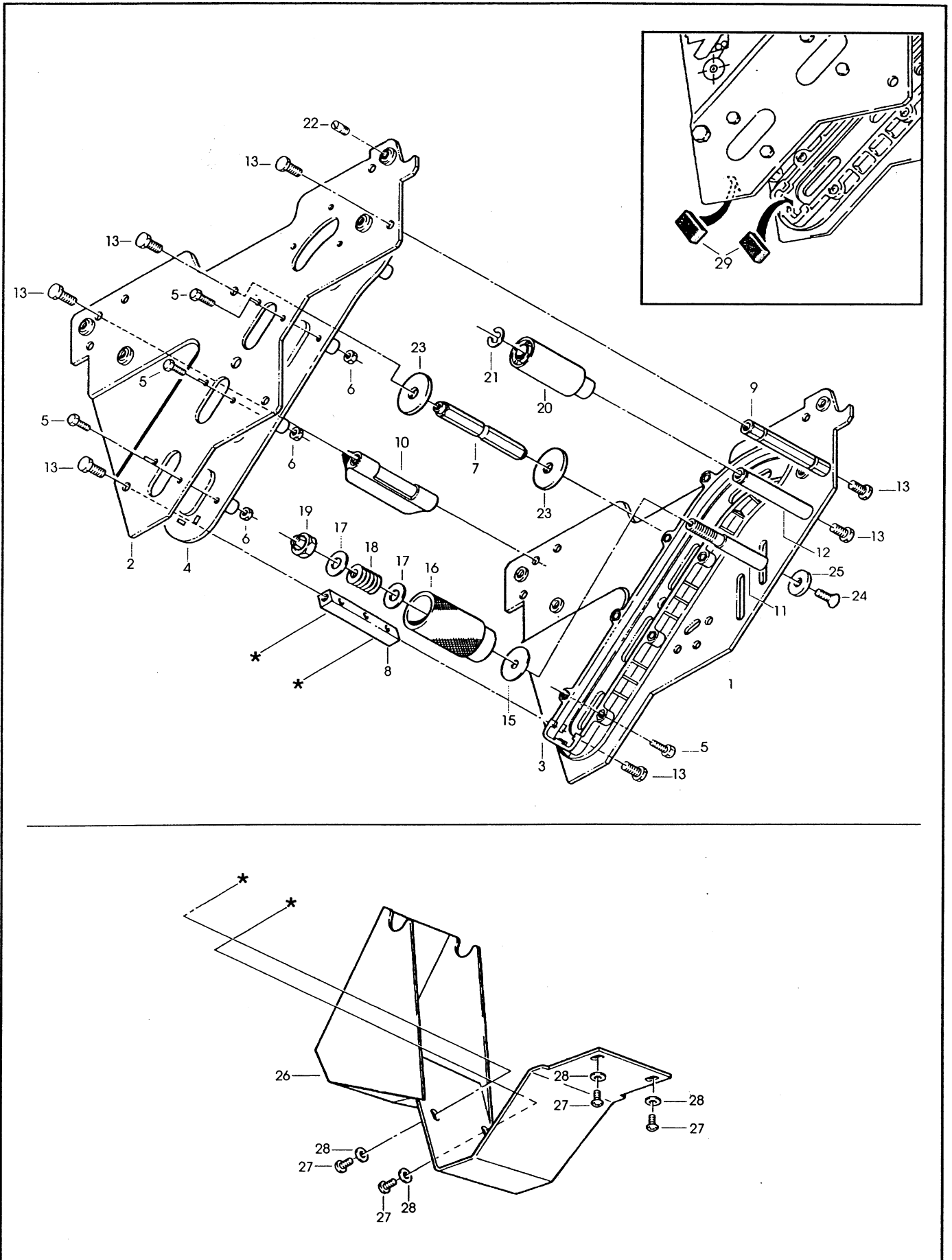
Lug. 96

Fig. 2884

Figura	Descrizione figura	Magaz.	Codice	Descrizione
2885	GRUPPO SPALLE	0	78811408299	ACCUGLIDE II - 2", LOWER TYPE 39600

Posizione	Codice	Descrizione	U.M.	Quantita`
1	78807013699	FRAME - TAPE MOUNT LOWER ASSY	PZ	1
2	78807013707	FRAME - FRONT LOWER ASSY	PZ	1
3	78806841447	GUIDE - #2	PZ	1
4	78806841439	GUIDE - #1	PZ	1
5	83000273363	SCREW - HEX HD M4X14 ZINC.PL	PZ	18
6	78801074168	NUT-METRIC, HEX, STEEL M4	PZ	18
7	78807012519	SPACER - SPRING	PZ	1
8	78805487648	SPACER - 10X10X90MM	PZ	1
9	78805265606	SPACER - FRONT	PZ	1
10	78806079360	BRUSH ASSY	PZ	1
11	78805265648	SHAFT - TENSION ROLLER	PZ	1
12	78805265689	SHAFT - WRAP ROLLER	PZ	1
13	26100358295	SCREW HEX.HD.M6X12	PZ	9
15	78810010096	WASHER - SPECIAL	PZ	1
16	78805266067	ROLLER - TENSION BOTTOM	PZ	1
17	26100455109	WASHER - PLAIN, M10	PZ	2
18	78805265671	SPRING - COMPRESSION	PZ	1
19	78801790771	NUT - SELF-LOCKING M10X1	PZ	1
20	78805265697	ROLLER - WRAP	PZ	1
21	26100016133	RING - RETAINING 10DIN6799	PZ	1
22	78807645003	STUD - MOUNTING	PZ	4
23	78807652421	STOP - CUTOFF FRAME	PZ	2
24	78806081796	SCREW-FLAT HD HEX M6X20	PZ	1
25	78807654773	WASHER - SPECIAL /6.5X20X4	PZ	1
26	78810010476	GUARD-HEAD	PZ	1
27	78801790664	SCREW - METRIC, M5X12	PZ	4
28	78800557411	WASHER - FLAT, M5	PZ	4
29	78807647348	BUMPER	PZ	2

==== Data 27/05/2003 =====



K13-3M (BOTTOM)

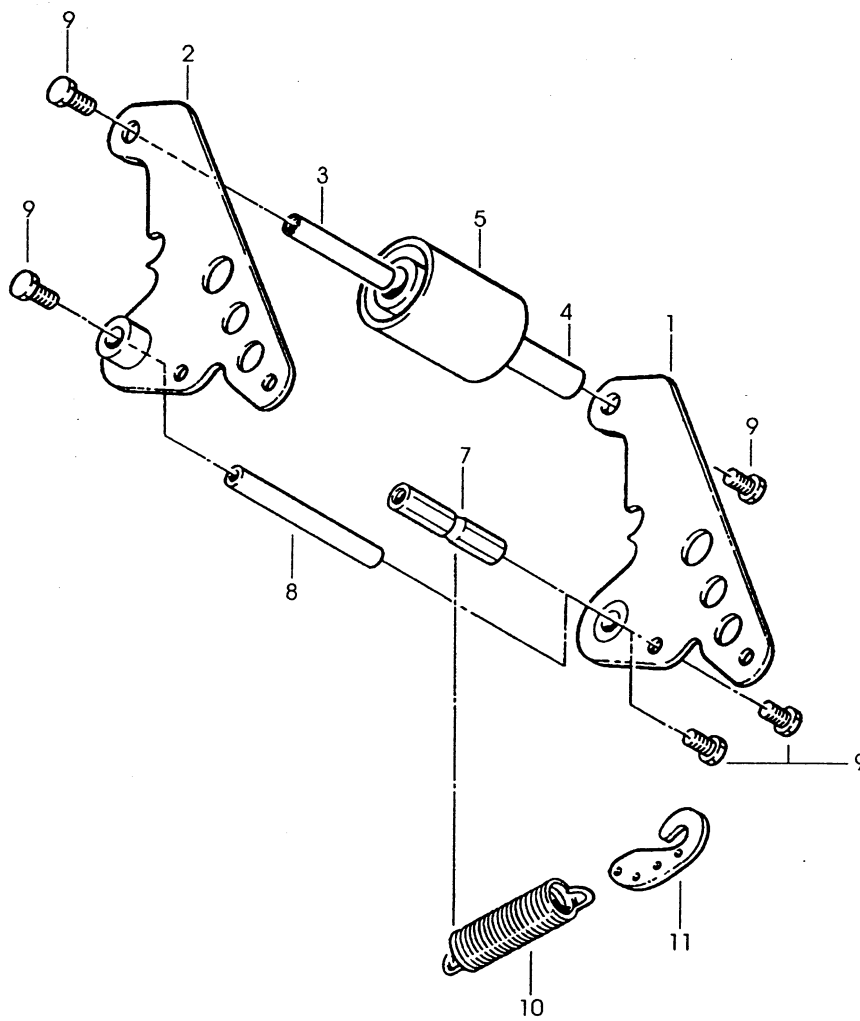
Ott. 96

Fig. 2885

Figura	Descrizione figura	Magaz.	Codice	Descrizione
2886	GRUPPO USCITA	0	000000K13BB	ACCUGLIDE HEAD 2" K13 BOTTOM TYPE B

Posizione	Codice	Descrizione	U.M.	Quantita'
1	78807013913	BUFFING ARM SUB ASSY	PZ	1
2	78807013921	BUFFING ARM SUB ASS.Y	PZ	1
3	78805265754	SHAFT - ROLLER, 10X60	PZ	1
4	78805265861	BUSHING - BUFFING ROLLER	PZ	1
5	78805761786	ROLLER - BUFFING NM	PZ	1
7	78807012204	SPACER - SPRING	PZ	1
8	78801791092	SHAFT-10X90MM	PZ	1
9	26100358295	SCREW HEX.HD.M6X12	PZ	6
10	78807012733	SPRING - LOWER	PZ	1
11	78807012444	HOLDER - SPRING	PZ	1

=====
 ===== Data 04/07/96



K13-3M (BOTTOM)

Giu. 96

Fig. **2886**

