

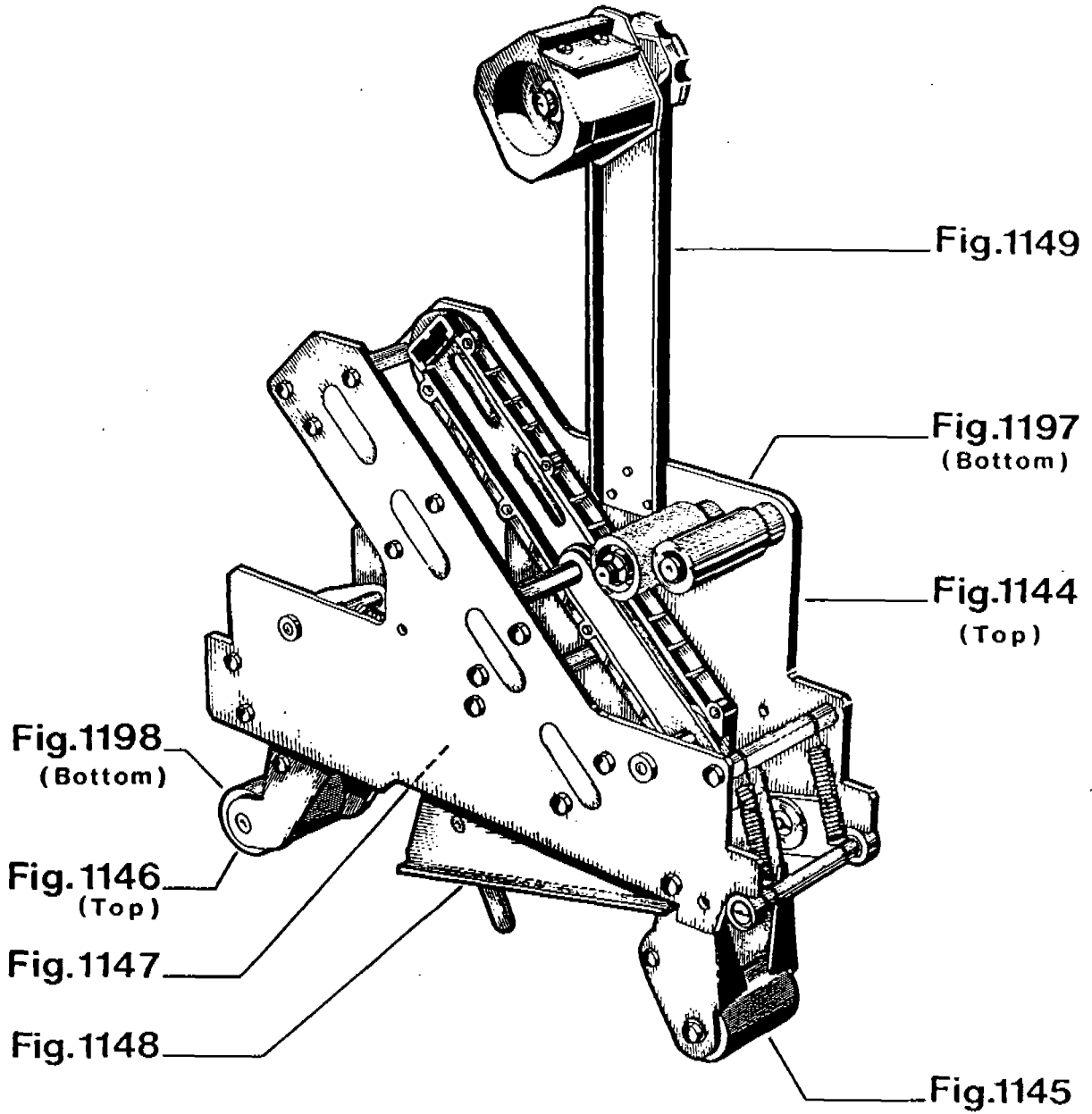
**Taping Head Assemblies  
Replacement Parts Illustrations and Parts Lists**

1. Refer to **Taping Head Assemblies** figure to find all the parts illustrations identified by figure numbers.
2. Refer to the figure or figures to determine the **individual parts** required and the **parts reference number**.
3. The replacement parts list, that follows each illustration, includes the **part number** and **part description** for the parts in that illustration.

**Note** - The complete description has been included for **standard fasteners** and some commercially available **components**. This has been done to allow obtaining these standard parts locally, should the customer elect to do so.

4. Refer to page 17 - "**Replacement Parts and Service Information**" of this manual for replacement parts ordering information.

Gen.	
Feb.	
Mar.	
Apr.	
Mag.	
Jun.	
Jul.	
Aug.	
Sep.	
Oct.	
Nov.	
Dec.	
1987	
1988	
1989	
1990	
1991	
1992	



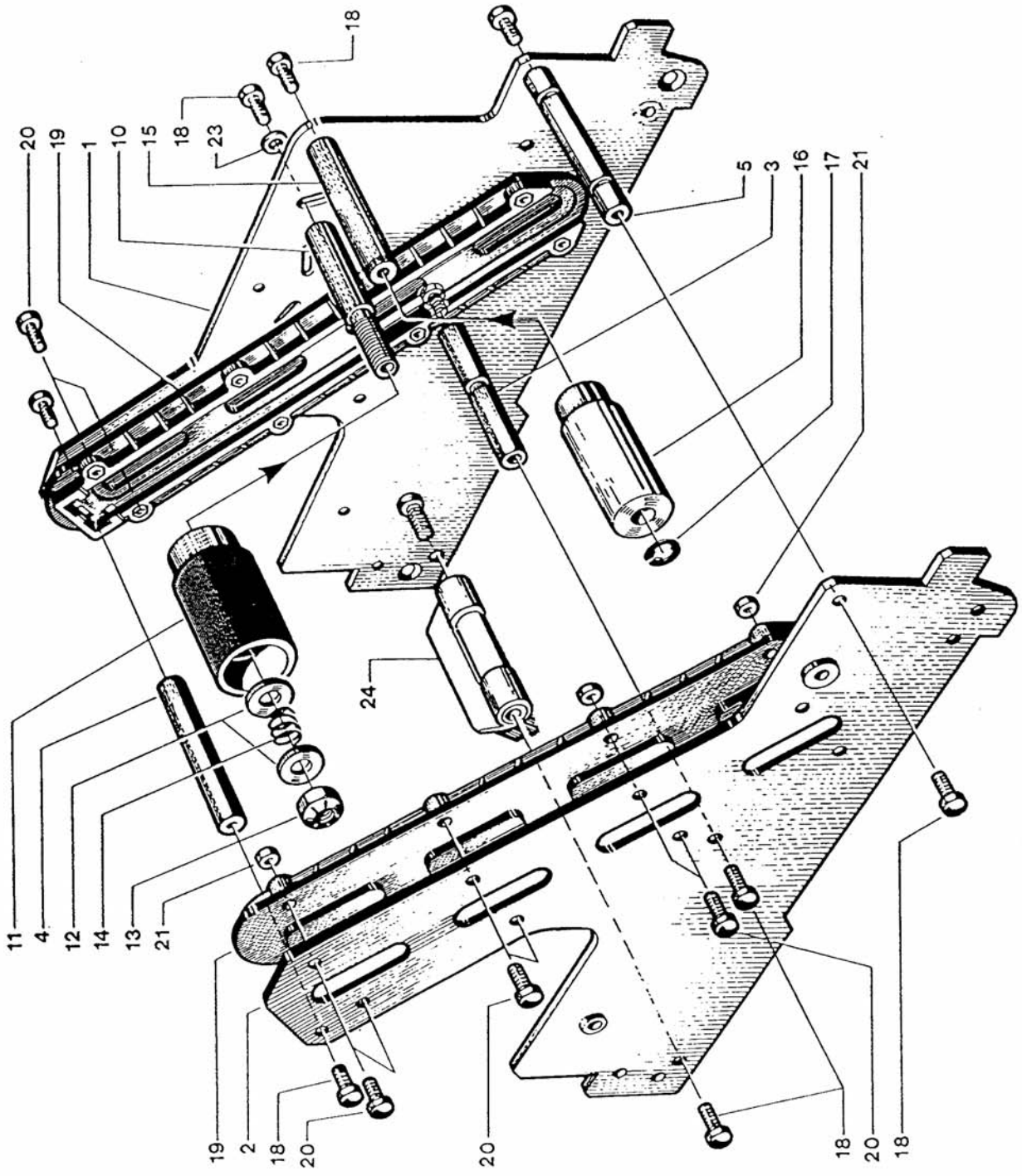
**K9-3M**

Figura	Descrizione	Figura	Cod.Mag.	Codice Sec.	Descrizione
1144,00			000000	00000000K9T	ACCUGLIDE HEAD 2" K9 TOP

Posizione	Cod.Ric.Sec.	Descrizione	U.M.	Quantita'
1,0	78805265564	FRAME - R/H TOP	PZ	1,000
2,0	78805265572	FRAME - L/H TOP	PZ	1,000
3,0	78805265580	SPACER-SPRING HOOK	PZ	1,000
4,0	78805265598	SPACER - UPPER	PZ	1,000
5,0	78805265606	SPACER - FRONT	PZ	1,000
10,0	78805265648	SHAFT - TENSION ROLLER	PZ	1,000
11,0	78805265655	ROLLER - TOP TENSION	PZ	1,000
12,0	78805265663	WASHER - FRICTION	PZ	2,000
13,0	78801790771	NUT - SELF-LOCKING M10X1	PZ	1,000
14,0	78805265671	SPRING - COMPRESSION	PZ	1,000
15,0	78805265689	SHAFT - WRAP ROLLER	PZ	1,000
16,0	78805265697	ROLLER - WRAP	PZ	1,000
17,0	26100016133	RING - RETAINING 10DING799	PZ	1,000
18,0	26100358295	SCREW - HEX.HD. M6X12	PZ	10,000
19,0	78805265705	GUIDE	PZ	2,000
20,0	83000273363	SCREW - HEX HD M4X14 ZINC.PL	PZ	16,000
21,0	78801074168	NUT-METRIC, HEX, STEEL M4	PZ	16,000
23,0	26100000103	WASHER - FLAT M6	PZ	1,000
24,0	78806079360	BRUSH ASSY	PZ	1,000

=====  
 ===== Data 13/05/91 =

Gen
Feb
Mar
Apr
May
Jun
Jul
Aug
Sep
Oct
Nov
Dec
1987
1988
1989
1990
1991
1992



**K9-3M**

TOP

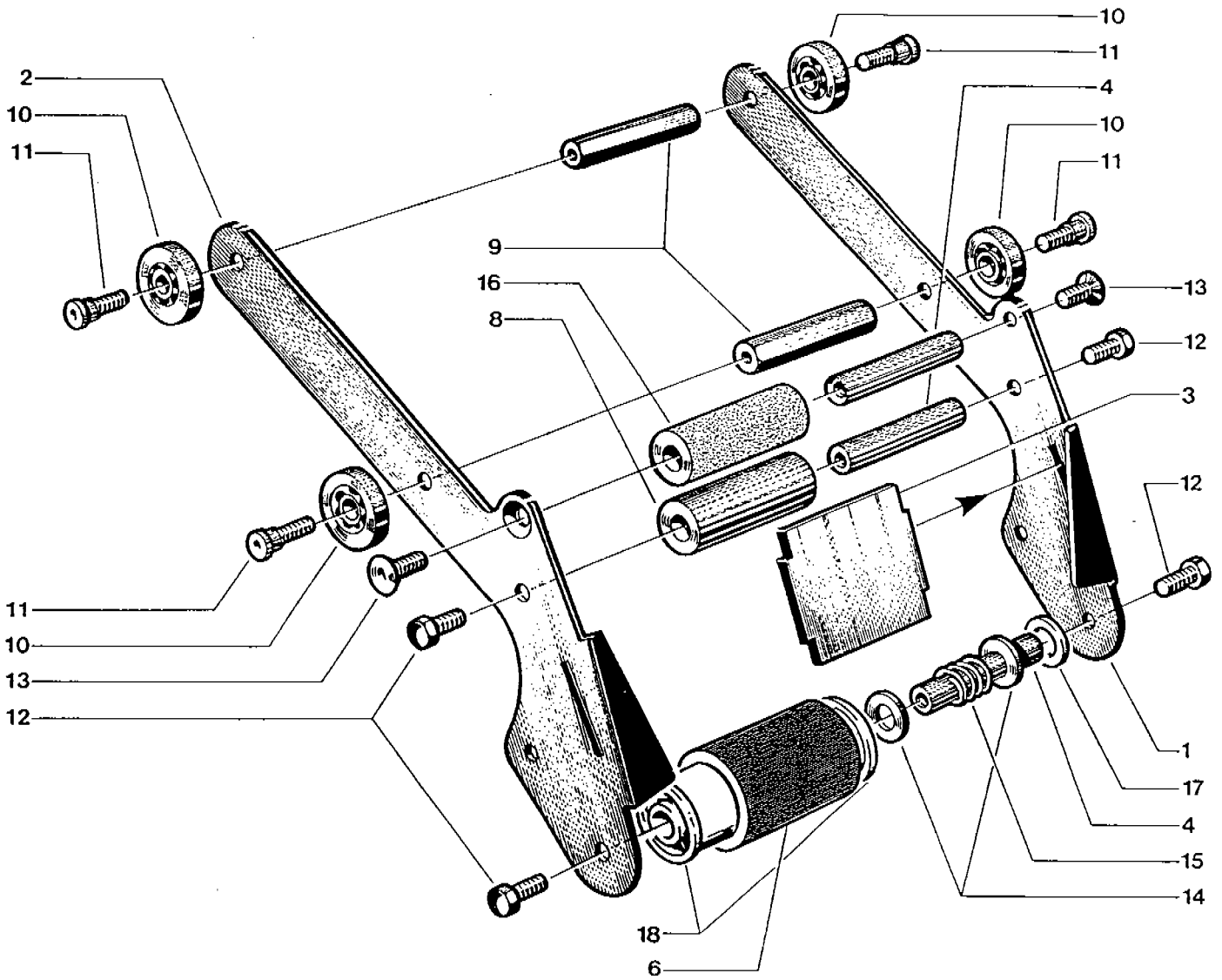
**Fig. 1144**

figura	Descrizione figura	Cod.Mag.	Codice Sec.	Descrizione
1145,00		000000	00000000K9T	ACCUSLIDE HEAD 2" K9 TOP

posizione	Cod.Ric.Sec.	Descrizione	U.M.	Quantita'
1,0	78805265721	FRAME - APPLYING R/H	PZ	1,000
2,0	78805265739	FRAME - APPLYING L/H	PZ	1,000
3,0	78805265747	PLATE - BACK UP	PZ	1,000
4,0	78805265754	SHAFT - ROLLER	PZ	3,000
6,0	78805761794	ROLLER - APPLYING NM	PZ	1,000
8,0	78805265796	ROLLER - WRAP	PZ	1,000
9,0	78805265804	SPACER - REAR	PZ	2,000
10,0	78801790821	BEARING-SPECIAL 30MM	PZ	4,000
11,0	78801791068	SCREW-BEARING SHOULDER	PZ	4,000
12,0	26100358295	SCREW - HEX.HD. M6X12	PZ	4,000
13,0	26100547590	SCREW - FLAT HD M6X12 ZINC.PL	PZ	2,000
14,0	78805265663	WASHER - FRICTION	PZ	2,000
15,0	78805265671	SPRING - COMPRESSION	PZ	1,000
16,0	78806079428	ROLLER - KNURLED	PZ	1,000
17,0	78801790748	WASHER-NYLON 15MM	PZ	1,000
18,0	78806083958	BUSHING-APPLYING ROLLER	PZ	1,000

===== Data 13/05/91 =

Gen.	
Feb.	
Mar.	
Apr.	
Mag.	
Giun.	
Lug.	
Ago.	
Set.	
Ott.	
Nov.	
Dic.	
1987	
1988	
1989	
1990	
1991	
1992	



**K9-3M**

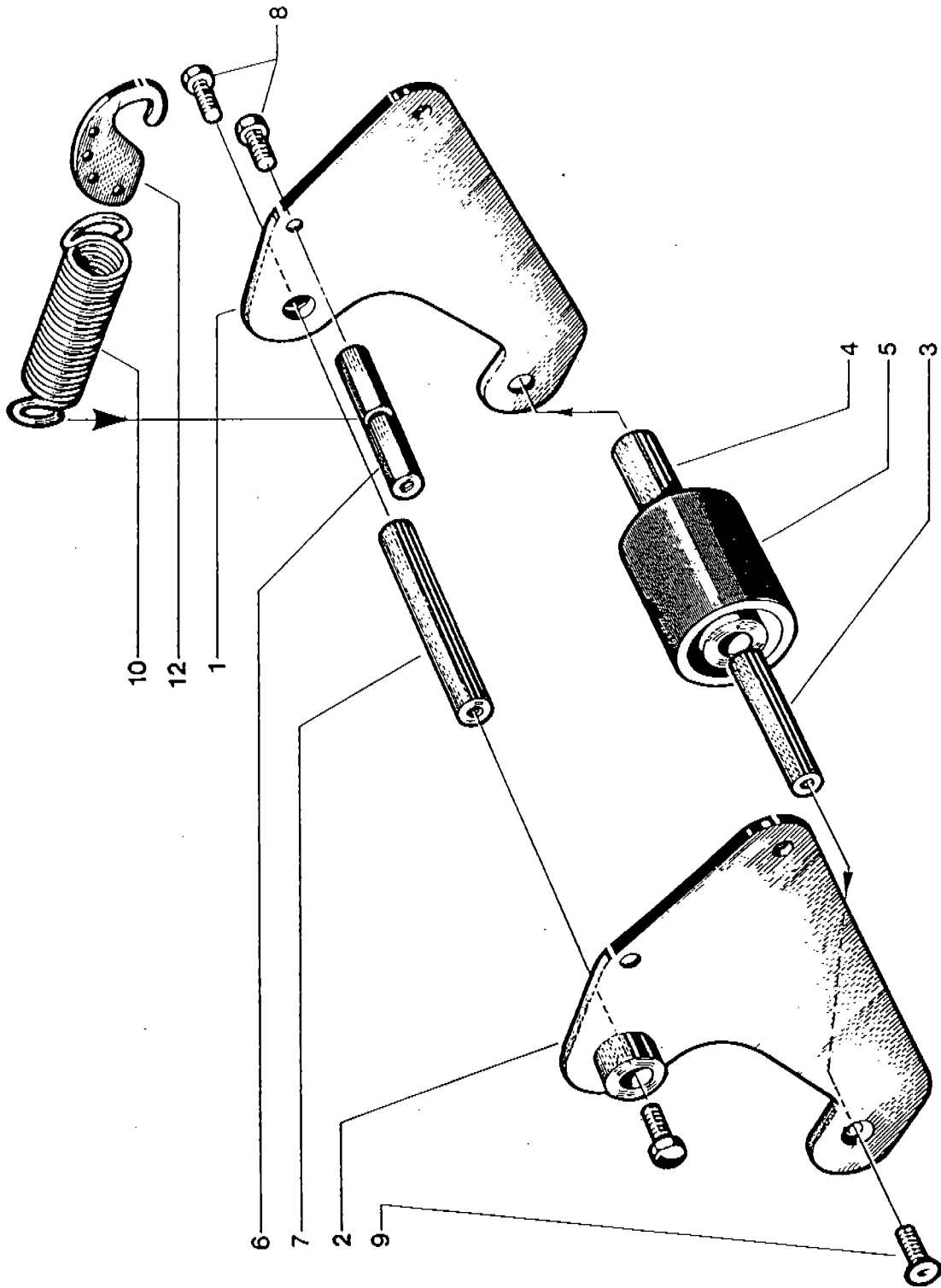
**Fig. 1145**

Figura	Descrizione Figura	Cod.Mag.	Codice Sec.	Descrizione
1146,00		000000	00000000K9T	ACCUGLIDE HEAD 2° K9 TOP

Posizione	Cod.Ric.Sec.	Descrizione	U.M.	Quantita'
1,0	78805265838	FRAME - R/H 4501989	PZ	1,000
2,0	78805265846	FRAME - L/H 4501989	PZ	1,000
3,0	78805265754	SHAFT - ROLLER	PZ	1,000
4,0	78805265861	BUSHING - BUFFING ROLLER	PZ	1,000
5,0	78805761786	ROLLER - BUFFING NM	PZ	1,000
6,0	78805265879	SPACER - SPRING	PZ	1,000
7,0	78801791092	SHAFT-10X90MM	PZ	1,000
8,0	26100358295	SCREW - HEX.HD. M6X12	PZ	4,000
9,0	26100547590	SCREW - FLAT HD M6X12 ZINC.PL	PZ	2,000
10,0	78805265895	SPRING - TOP EXT	PZ	1,000
12,0	78805265903	HOLDER-SPRING	PZ	1,000

=====  
 ===== Data 13/05/91 =

Gen.	
Feb.	
Mar.	
Apr.	
May	
Jun.	
Jul.	
Aug.	
Sep.	
Oct.	
Nov.	
Dec.	
1987	
1988	
1989	
1990	
1991	
1992	



**K9-3M**

TOP

**Fig. 1146**

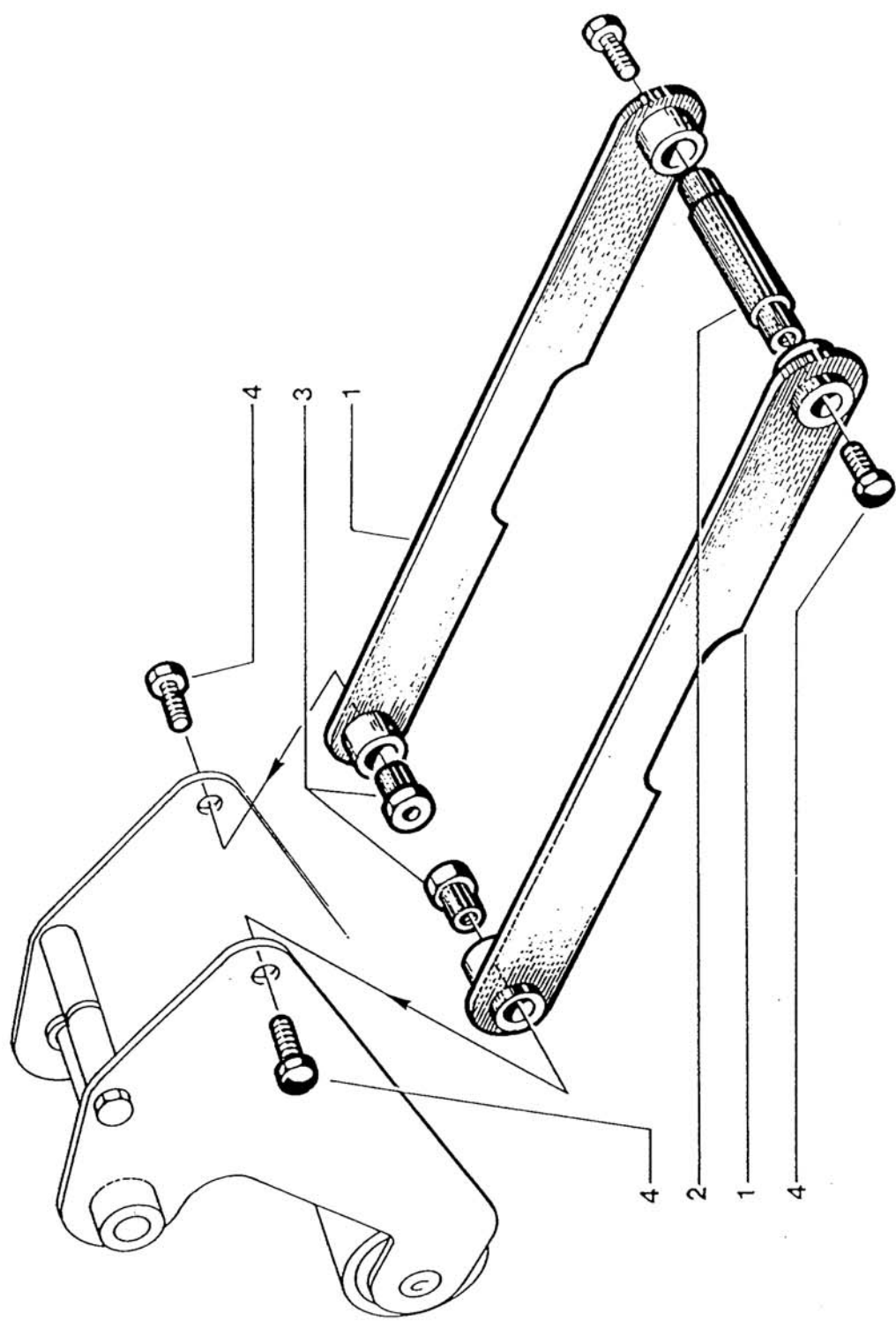


Figura	Descrizione	Figura	Cod.Mag.	Codice Sec.	Descrizione
1147,00			000000	00000000K9T	ACCUGLIDE HEAD 2" K9 TOP

Posizione	Cod.Ric.Sec.	Descrizione	U.M.	Quantita'
1,0	78805265929	ARM -LINK	PZ	2,000
2,0	78805265937	SHAFT - PIVOT	PZ	1,000
3,0	78805265945	BUSHING - PIVOT	PZ	2,000
4,0	78801071636	SCREW-METRIC, MSX10, HEX.HD.	PZ	4,000

=====  
 ===== Data 13/05/91 =

Grn  
 Feb  
 Mar  
 Apr  
 May  
 Jun  
 Jul  
 Aug  
 Sep  
 Oct  
 Nov  
 Dec  
 1987  
 1988  
 1989  
 1990  
 1991  
 1992



**K9-3M**

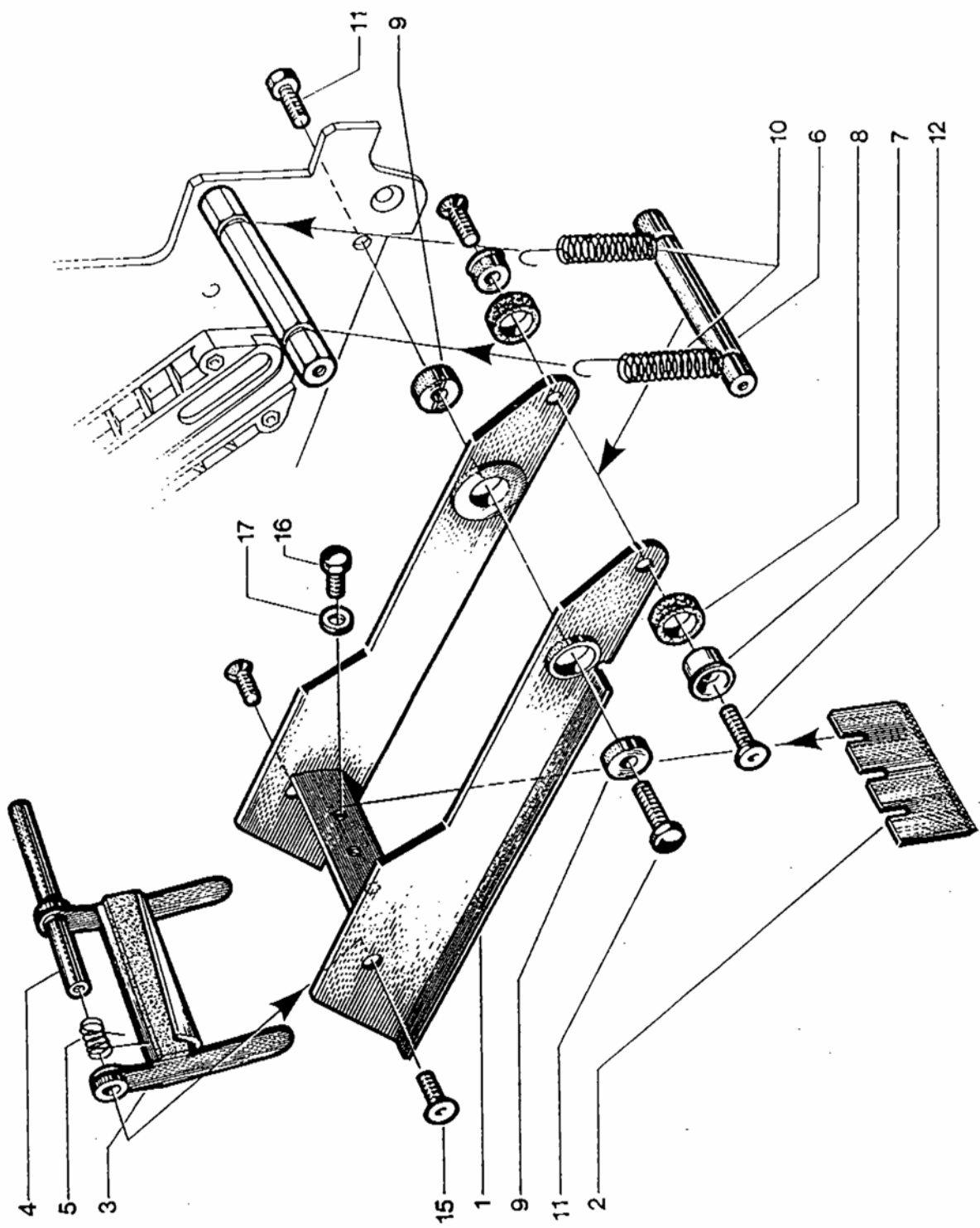
**Fig. 1147**

Figura	Descrizione	Figura	Cod.Mag.	Codice Sec.	Descrizione
1148,00			000000	00000000K9T	ACCUGLIDE HEAD 2" K9 TOP

Posizione	Cod.Ric.Sec.	Descrizione	U.M.	Quantita'
1,0	78806081671	BRACKET - CUT OFF	PZ	1,000
2,0	78801791738	BLADE - 2,56 IN.(65 MM.)	PZ	1,000
3,0	78805265960	GUARD - BLADE	PZ	1,000
4,0	78805265978	SHAFT - BLADE GUARD	PZ	1,000
5,0	78806238842	SPRING - TENSION	PZ	1,000
6,0	78801791357	SHAFT - SPACER	PZ	1,000
7,0	78805266000	SPACER	PZ	2,000
8,0	78801791332	BUMPER	PZ	2,000
9,0	78801791324	PIVOT-CUTTER LEVER	PZ	2,000
10,0	78805266026	SPRING - CUTTER	PZ	2,000
11,0	26100358295	SCREW - HEX.HD. M6X12	PZ	2,000
12,0	26100547582	SCREW - FLAT HD M5X20 ZINC.PL	PZ	2,000
15,0	26100547574	SCREW - FLAT HD M4X10 ZINC.PL	PZ	2,000
16,0	26100258172	SCREW - HEX HD M5X8 ZINC.PL	PZ	3,000
17,0	78800557411	WASHER-METRIC, PLAIN, M5	PZ	3,000

=====  
 ===== Data 13/05/91 =

Gen.	
Feb.	
Mar.	
Apr.	
May	
Jun	
Jul	
Aug.	
Sep.	
Oct.	
Nov.	
Dec.	
1987	
1988	
1989	
1990	
1991	
1992	



**K9-3M**

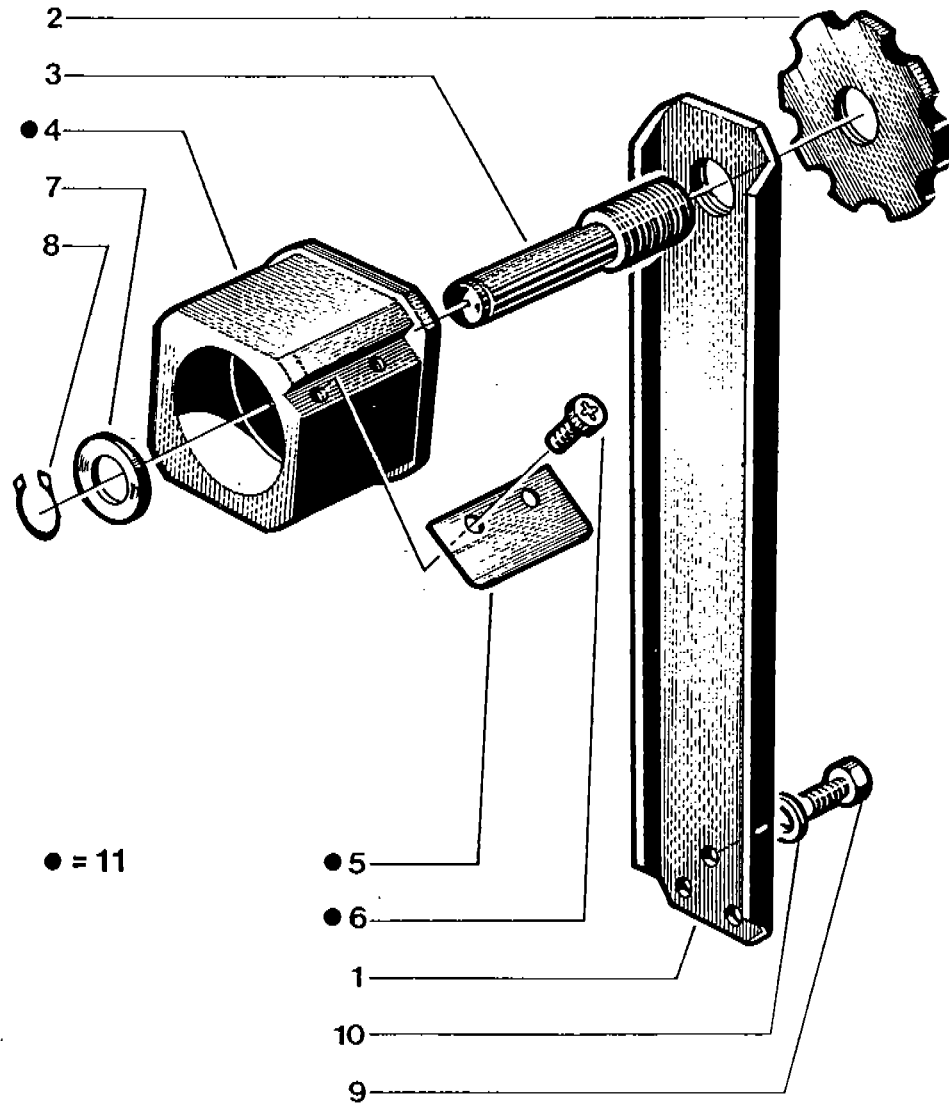
**Fig. 1148**

Figura	Descrizione	Figura	Cod.Mag.	Codice Sec.	Descrizione
1149,00			000000	00000000K9T	ACCUGLIDE HEAD 2" K9 TOP

Posizione	Cod.Ric.Sec.	Descrizione	U.M.	Quantita'
1,0	78805265440	BRACKET - TAPE DRUM	PZ	1,000
2,0	78801790912	PLATE-LOCKING, TAPE DRUM SHAFT	PZ	1,000
3,0	78805266034	SHAFT - TAPE DRUM	PZ	1,000
4,0	78805267495	TAPE DRUM ASSEMBLY	PZ	1,000
5,0	78805262686	LEAF SPRING	PZ	1,000
6,0	26100257539	SCREW-SELF TAPPING	PZ	2,000
7,0	78805265416	WASHER - SPECIAL	PZ	1,000
8,0	26100261101	RING-RETAINING FOR 14MM SHAFT	PZ	1,000
9,0	26100358295	SCREW - HEX.HD. M6X12	PZ	3,000
10,0	26100000103	WASHER - FLAT M6	PZ	3,000
11,0	78807015694	TAPE DRUM ASSY - 2" WIDE	PZ	1,000

=====  
 ===== Data 13/05/91 =

Gen
Feb
Mar
Apr
May
Jun
Jul
Aug
Sep
Oct
Nov
Dec
1987
1988
1989
1990
1991
1992



**K9-3M**

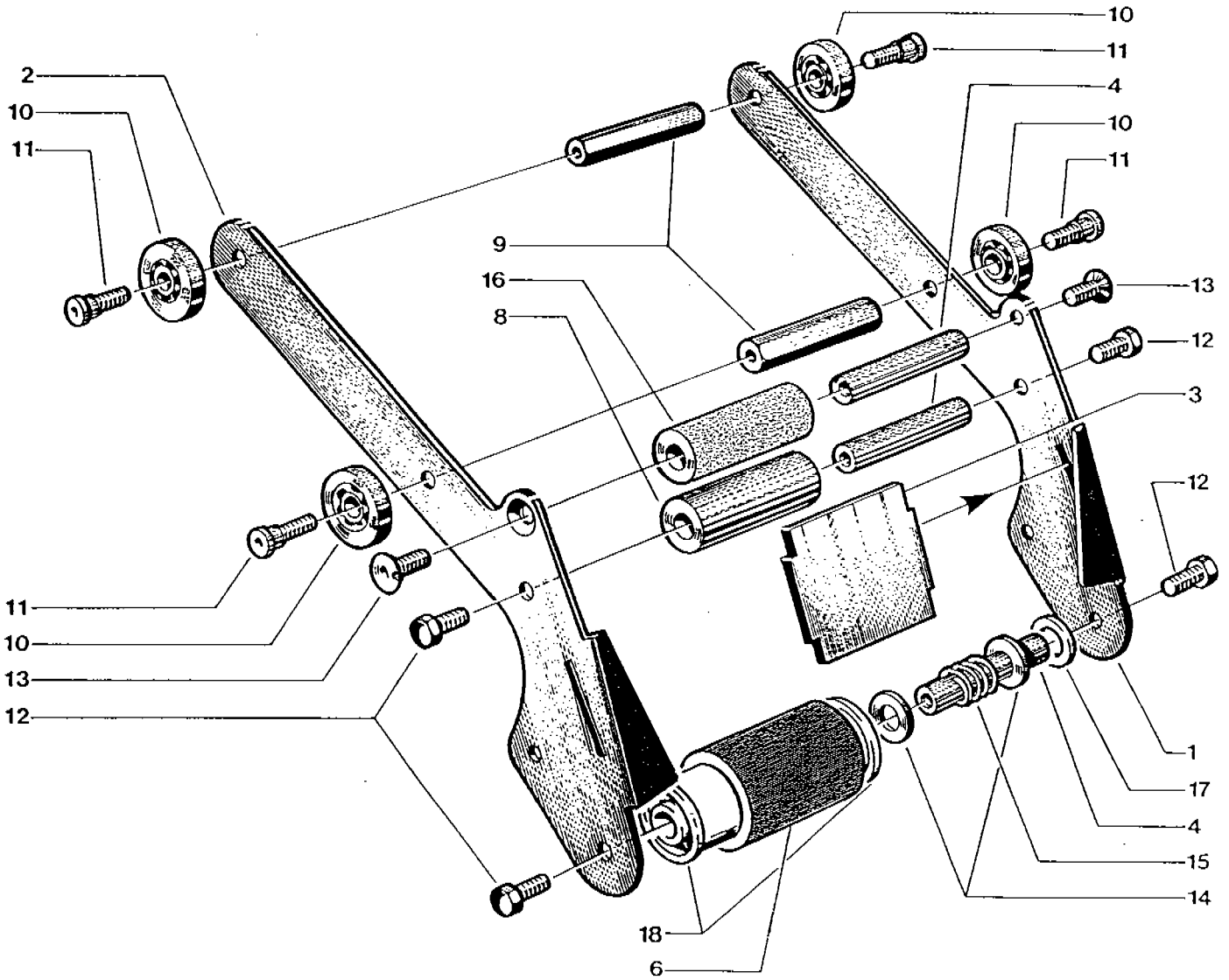
**Fig. 1149**

Figura	Descrizione Figura	Cod.Mag.	Codice Sec.	Descrizione
1145,00		000000	00000000K9B	ACCUGLIDE HEAD 2" K9 BOTTOM

Quantita'	Cod.Ric.Sec.	Descrizione	U.M.	Quantita'
1,0	78805265721	FRAME - APPLYING R/H.	PZ	1,000
2,0	78805265739	FRAME - APPLYING L/H	PZ	1,000
3,0	78805265747	PLATE - BACK UP	PZ	1,000
4,0	78805265754	SHAFT - ROLLER	PZ	3,000
6,0	78805761794	ROLLER - APPLYING NM	PZ	1,000
8,0	78805265796	ROLLER - WRAP	PZ	1,000
9,0	78805265804	SPACER - REAR	PZ	2,000
10,0	78801790821	BEARING-SPECIAL 30MM	PZ	4,000
11,0	78801791068	SCREW-BEARING SHOULDER	PZ	4,000
12,0	26100358295	SCREW - HEX.HD. M6X12	PZ	4,000
13,0	26100547590	SCREW - FLAT HD M6X12 ZINC.PL	PZ	2,000
14,0	78805265663	WASHER - FRICTION	PZ	2,000
15,0	78805265671	SPRING - COMPRESSION	PZ	1,000
16,0	78806079428	ROLLER - KNURLED	PZ	1,000
17,0	78801790749	WASHER-NYLON 15MM	PZ	1,000
18,0	78806083958	BUSHING-APPLYING ROLLER	PZ	1,000

==== Data 13/05/91 =

Gen
Feb
Mar
Apr
May
Jun
Jul
Aug
Sep
Oct
Nov
Dec
1987
1988
1989
1990
1991
1992



**K9-3M**

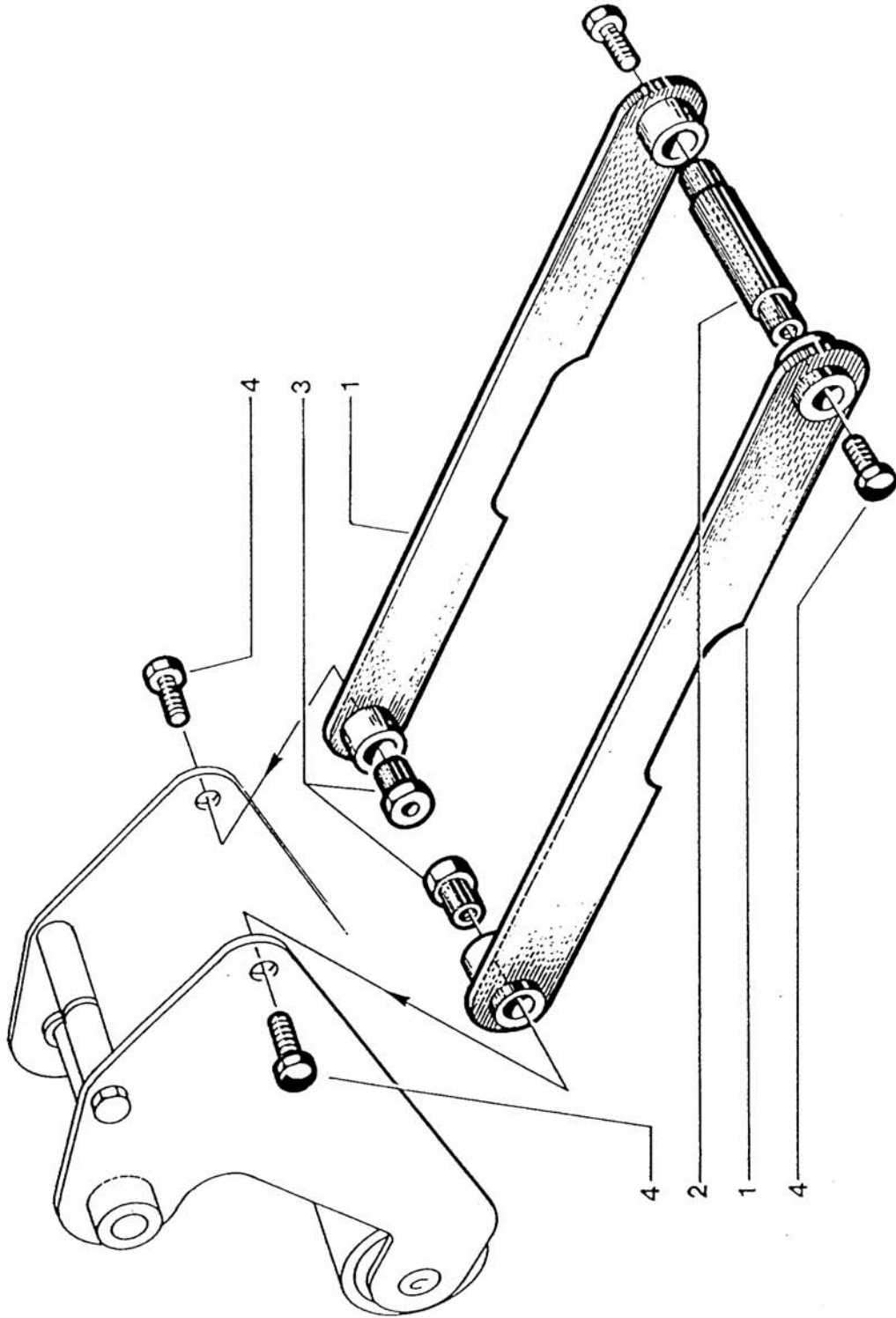
**Fig. 1145**



Figura	Descrizione	Figura	Cod.Mag.	Codice Sec.	Descrizione
1147,00			000000	00000000K9B	ACCUGLIDE HEAD 2" K9 BOTTOM

Posizione	Cod.Ric.Sec.	Descrizione	U.M.	Quantita'
1,0	78805265929	ARM -LINK	PZ	2,000
2,0	78805265937	SHAFT - PIVOT	PZ	1,000
3,0	78805265945	BUSHING - PIVOT	PZ	2,000
4,0	78801071636	SCREW-METRIC, M5X10, HEX.HD.	PZ	4,000

=====  
 ===== Data 13/05/91 =



**K9-3M**

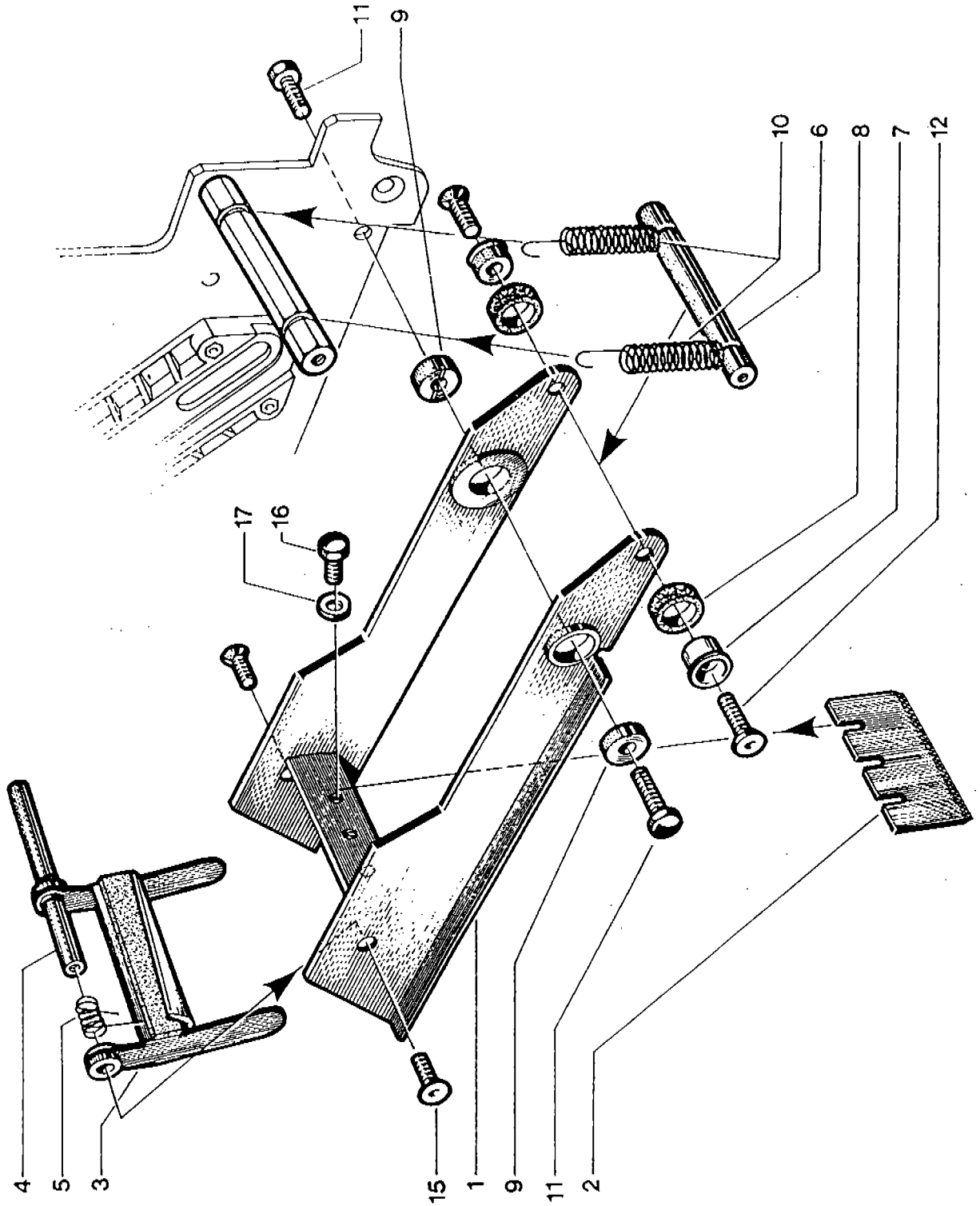
**Fig. 1147**

Figura	Descrizione	Figura	Cod.Mag.	Codice Sec.	Descrizione
1148,00			000000	00000000K9B	ACCU6LIDE HEAD 2" K9 BOTTOM

Posizione	Cod.Ric.Sec.	Descrizione	U.M.	Quantita'
1,0	78806081671	BRACKET - CUT OFF	PZ	1,000
2,0	78801791738	BLADE - 2,56 IN.(65 MM.)	PZ	1,000
3,0	78805265960	GUARD - BLADE	PZ	1,000
4,0	78805265978	SHAFT - BLADE GUARD	PZ	1,000
5,0	78806238842	SPRING - TENSION	PZ	1,000
6,0	78801791357	SHAFT - SPACER	PZ	1,000
7,0	78805266000	SPACER	PZ	2,000
8,0	78801791332	BUMPER	PZ	2,000
9,0	78801791324	PIVOT-CUTTER LEVER	PZ	2,000
10,0	78805266026	SPRING - CUTTER	PZ	2,000
11,0	26100358295	SCREW - HEX.HD. M6X12	PZ	2,000
12,0	26100547582	SCREW - FLAT HD M5X20 ZINC.PL	PZ	2,000
15,0	26100547574	SCREW - FLAT HD M4X10 ZINC.PL	PZ	2,000
16,0	26100258172	SCREW - HEX HD M5X8 ZINC.PL	PZ	3,000
17,0	78800557411	WASHER-METRIC, PLAIN, M5	PZ	3,000

==== Data 13/05/91 =

Gen.	
Feb.	
Mar.	
Apr.	
May	
Jun.	
Jul.	
Aug.	
Sep.	
Oct.	
Nov.	
Dec.	
1987	
1988	
1989	
1990	
1991	
1992	



**K9-3M**

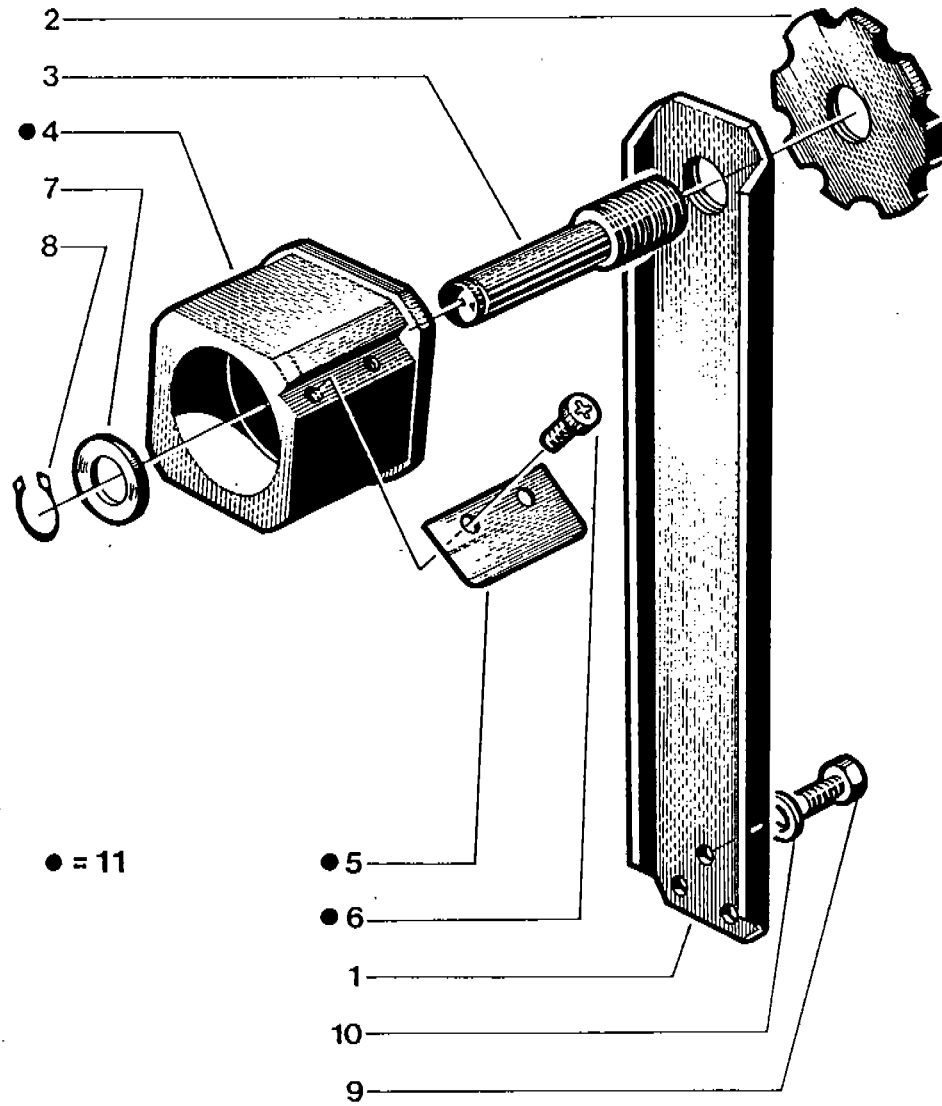
**Fig. 1148**

Figura	Descrizione	Figura	Cod.Mag.	Codice Sec.	Descrizione
1149,00			000000	00000000K9B	ACCUGLIDE HEAD 2" K9 BOTTOM

Posizione	Cod.Ric.Sec.	Descrizione	U.M.	Quantita'
1,0	78805265440	BRACKET - TAPE DRUM	PZ	1,000
2,0	78801790912	PLATE-LOCKING, TAPE DRUM SHAFT	PZ	1,000
3,0	78805266034	SHAFT - TAPE DRUM	PZ	1,000
4,0	78805267495	TAPE DRUM ASSEMBLY	PZ	1,000
5,0	78805262686	LEAF SPRING	PZ	1,000
6,0	26100257539	SCREW-SELF TAPPING	PZ	2,000
7,0	78805265416	WASHER - SPECIAL	PZ	1,000
8,0	26100261101	RING-RETAINING FOR 14MM SHAFT	PZ	1,000
9,0	26100358295	SCREW - HEX.HD. M6X12	PZ	3,000
10,0	26100000103	WASHER - FLAT M6	PZ	3,000
11,0	78807015694	TAPE DRUM ASSY - 2" WIDE	PZ	1,000

=====  
 ===== Data 13/05/91 =

Gen.	
Feb.	
Mar.	
Apr.	
Mag.	
Giug.	
Lug.	
Agos.	
Sett.	
Ott.	
Nov.	
Dic.	
1987	
1988	
1989	
1990	
1991	
1992	



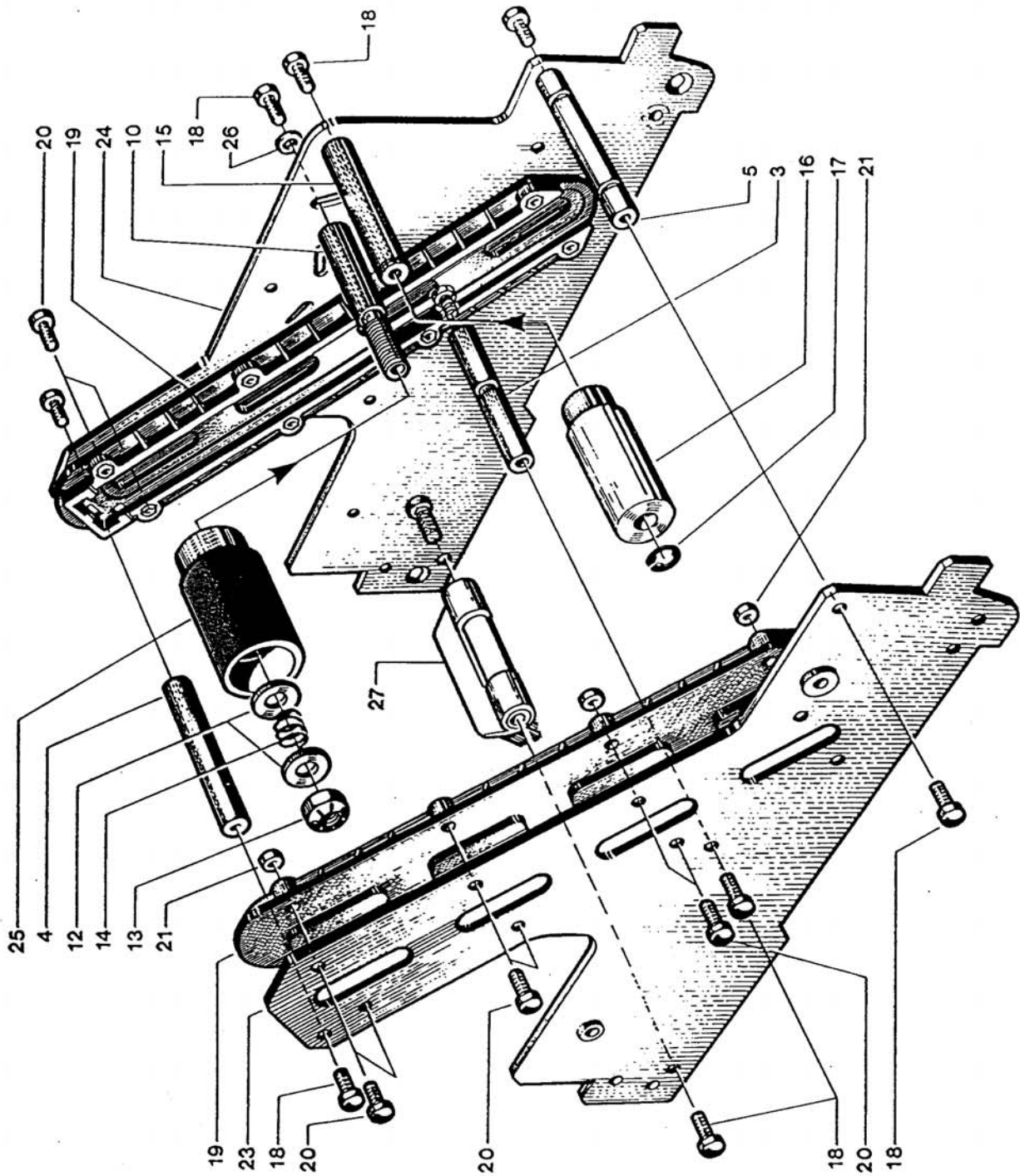
**K9-3M**

**Fig. 1149**

Figura	Descrizione	Figura	Cod.Mag.	Codice Sec.	Descrizione
1197,00			000000	00000000K9B	ACCUGLIDE HEAD 2" K9 BOTTOM

Posizione	Cod.Ric.Sec.	Descrizione	U.M.	Quantita'
3,0	78805265580	SPACER-SPRING HOOK	PZ	1,000
4,0	78805265598	SPACER - UPPER	PZ	1,000
5,0	78805265606	SPACER - FRONT	PZ	1,000
10,0	78805265648	SHAFT - TENSION ROLLER	PZ	1,000
12,0	78805265663	WASHER - FRICTION	PZ	2,000
13,0	78801790771	NUT - SELF-LOCKING M10X1	PZ	1,000
14,0	78805265671	SPRING - COMPRESSION	PZ	1,000
15,0	78805265689	SHAFT - WRAP ROLLER	PZ	1,000
16,0	78805265697	ROLLER - WRAP	PZ	1,000
17,0	26100016133	RING - RETAINING 10DIN6799	PZ	1,000
18,0	26100358295	SCREW - HEX.HD. M6X12	PZ	10,000
19,0	78805265705	GUIDE	PZ	2,000
20,0	83000273363	SCREW - HEX HD M4X14 ZINC.PL	PZ	16,000
21,0	78801074168	NUT-METRIC, HEX, STEEL M4	PZ	16,000
23,0	78805266042	FRAME - L/H BOTTOM	PZ	1,000
24,0	78805266059	FRAME - R/H BOTTOM	PZ	1,000
25,0	78805266067	ROLLER - TENSION BOTTOM	PZ	1,000
26,0	26100000103	WASHER - FLAT M6	PZ	1,000
27,0	78806079360	BRUSH ASSY	PZ	1,000

=====  
 ===== Data 13/05/91 =



**K9-3M**

**BOTTOM**

**Fig. 1197**

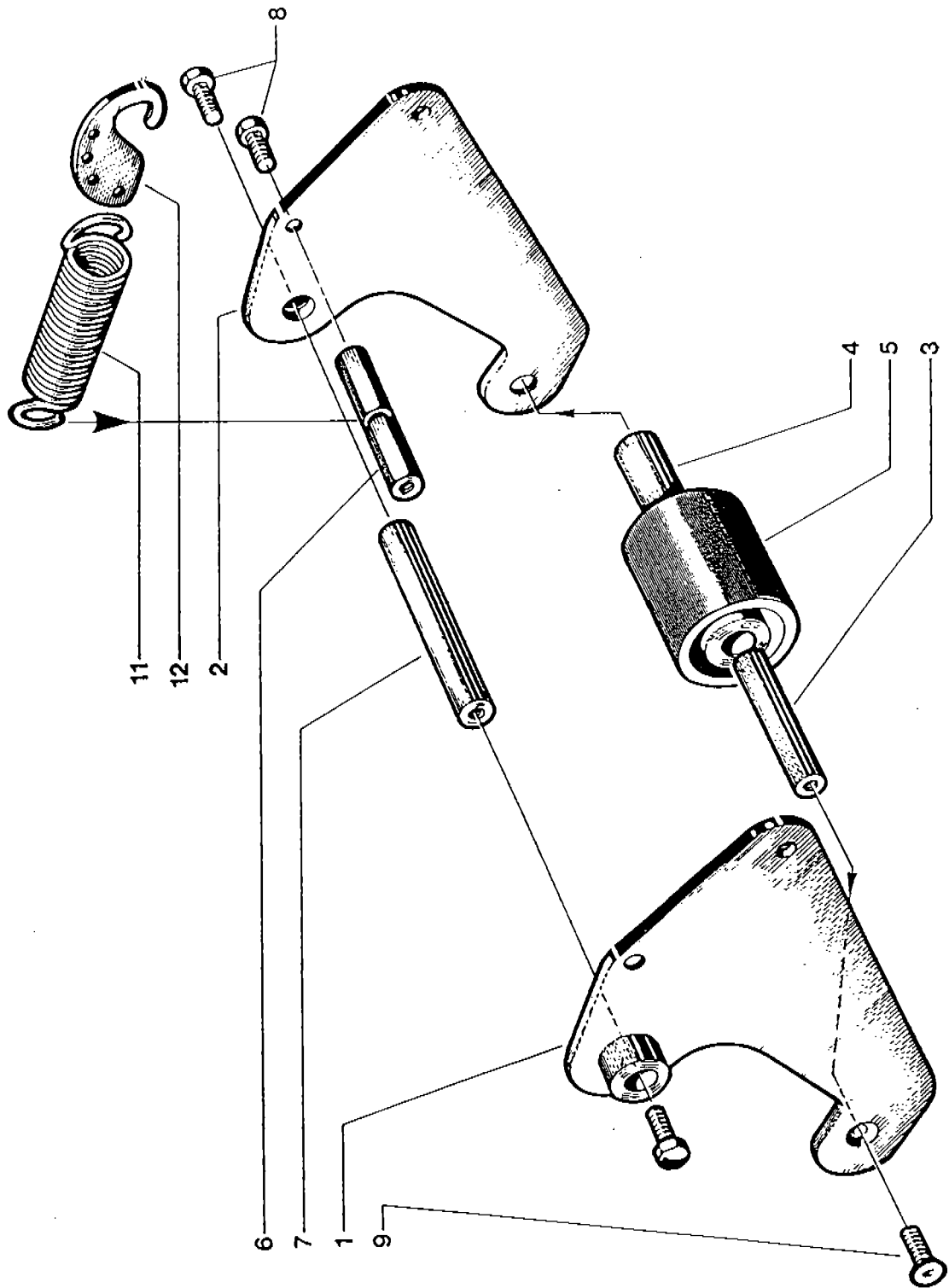


Figura	Descrizione Figura	Cod.Mag.	Codice Sec.	Descrizione
1198,00		000000	00000000K9B	ACCUGLIDE HEAD 2" K9 BOTTOM

Posizione	Cod.Ric.Sec.	Descrizione	U.M.	Quantita'
1,0	78805265838	FRAME - R/H	PZ	1,000
2,0	78805265846	FRAME - L/H	PZ	1,000
3,0	78805265754	SHAFT - ROLLER	PZ	1,000
4,0	78805265861	BUSHING - BUFFING ROLLER	PZ	1,000
5,0	78805761786	ROLLER - BUFFING MM	PZ	1,000
6,0	78805265879	SPACER - SPRING	PZ	1,000
7,0	78801791092	SHAFT-10X90MM	PZ	1,000
8,0	26100358295	SCREW - HEX.HD. M6X12	PZ	4,000
9,0	26100547590	SCREW - FLAT HD M6X12 ZINC.PL	PZ	2,000
11,0	78805485501	MAIN SPRING - BOTTOM HEAD	PZ	1,000
12,0	78805265903	HOLDER-SPRING	PZ	1,000

==== Data 13/05/91 =

Gen	
Feb	
Mar	
Apr	
May	
Jun	
Jul	
Aug	
Sep	
Oct	
Nov	
Dec	
1987	
1988	
1989	
1990	
1991	
1992	



**K9-3M**      **BOTTOM**

**Fig. 1198**